

ITEM NO.	QTY.	SW-File Name (File Name)	DESCRIPTION	Comment 2
1	12	14 620	Omega H-70-L, 28x68x31x68x28 x 3 mm, lg=30mm	L=30
2	7	2208056-01-102	Rack Arm 65 mm L-System, Pitch 140 mm (96)	L=2823
3	42	2208056-01-401	145E Louver	SEE DWG
4	1	2208056-01-501	Drive tube 35 mm	L=5377
5	1	2208056-01-502	Drive tube 35 mm	L=1905
6	1	2208056-01-503	Drive tube 35 mm	L=2055
7	2	28 102	Somfy LS40 VULCAN Motor 13/10/230V, 3m white cable	
8	2	28 933	Hirschmann Set STAK/STAS-3 (Stak/Stas/clamp)	
9	2	45 813 11-Contr	Motor Kit 13:1 Hardwired	
10	2	58 988	Stak/Stas Protecting Kit (incl. Tube, Plugs & Bracket) (lg=230mm)	
11	16	Omega-70-60°	Omega H=70; Angle 60°	L=150

FASTENERS FOR INSTALLATION EXCLUDED (third party)				FASTENERS FOR SYSTEM ASSEMBLY INCLUDED			
CUSTOMER	DATE	SCALE	21-3-2023	RACK ARMS & PARTS	RAL 7016 30% SD		
DESCRIPTION	2208056	ENGINEER	JB	LOUVERS	RAL 7016 30% SD		
PROJECT NR	1	STATE	Approved	PLASTIC PARTS	Black		
QTY	1	REV	01	Ext.	2208056-01-000	24	A0

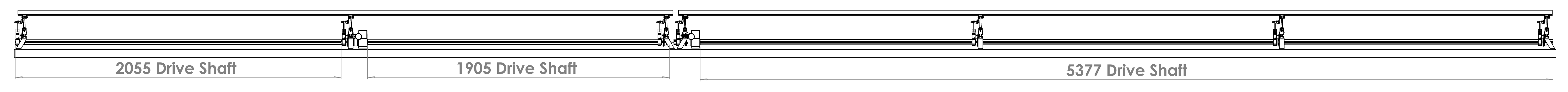
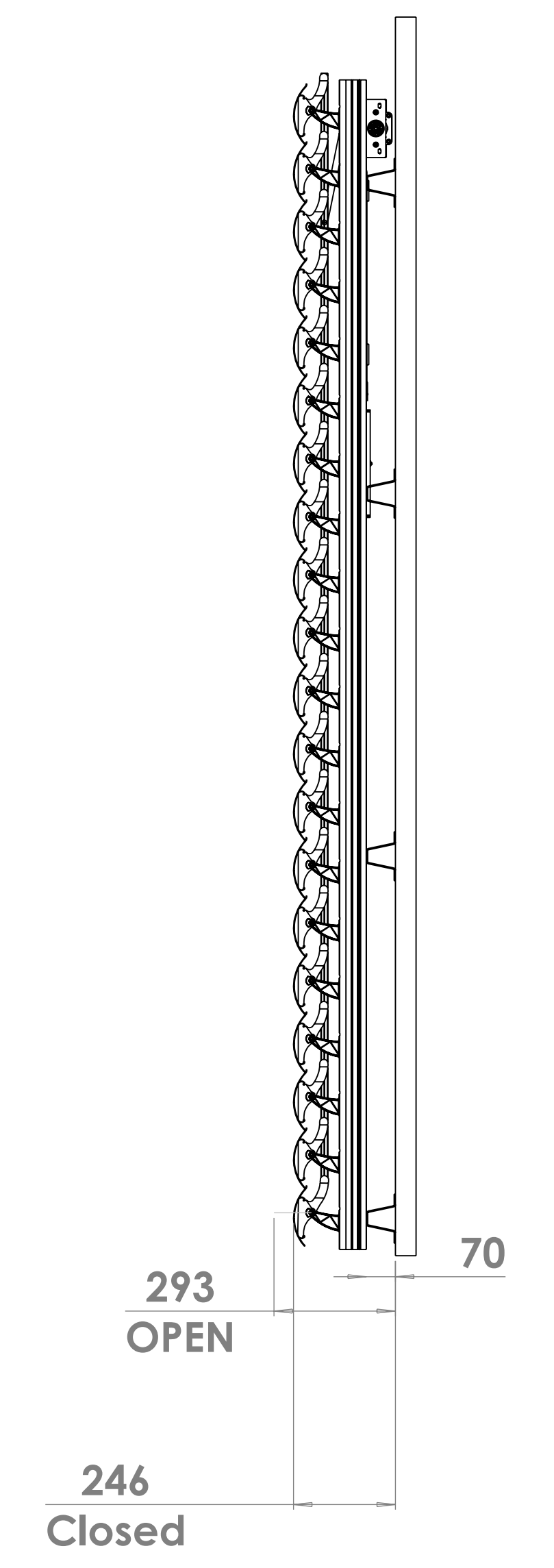
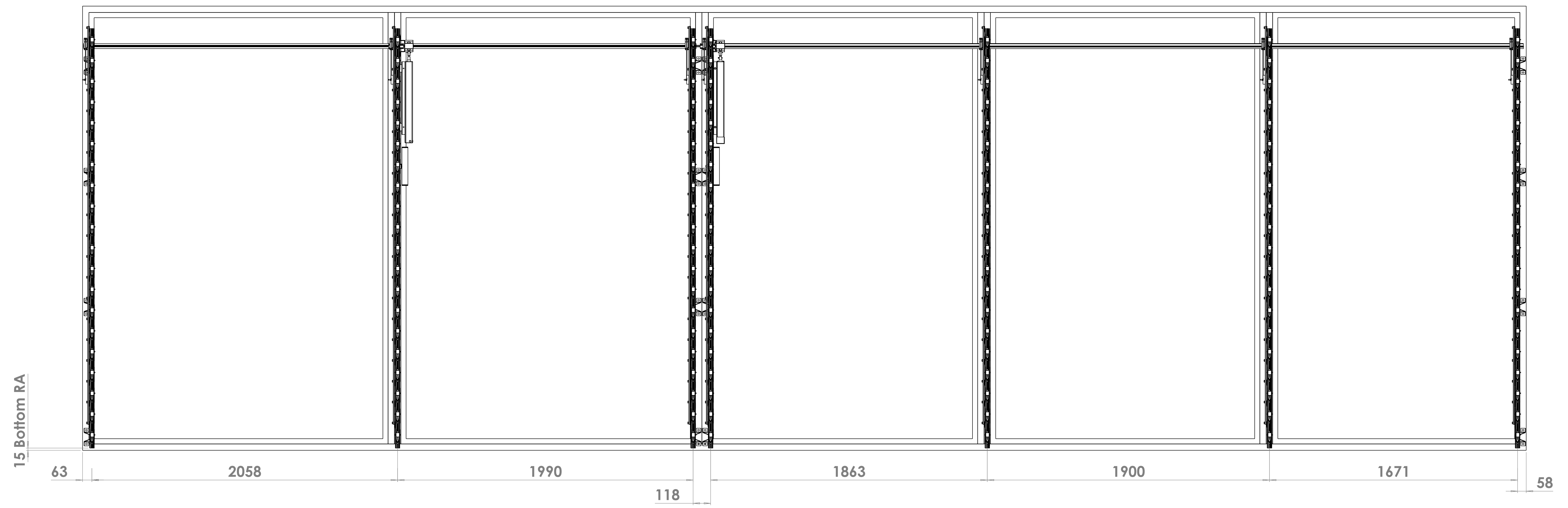
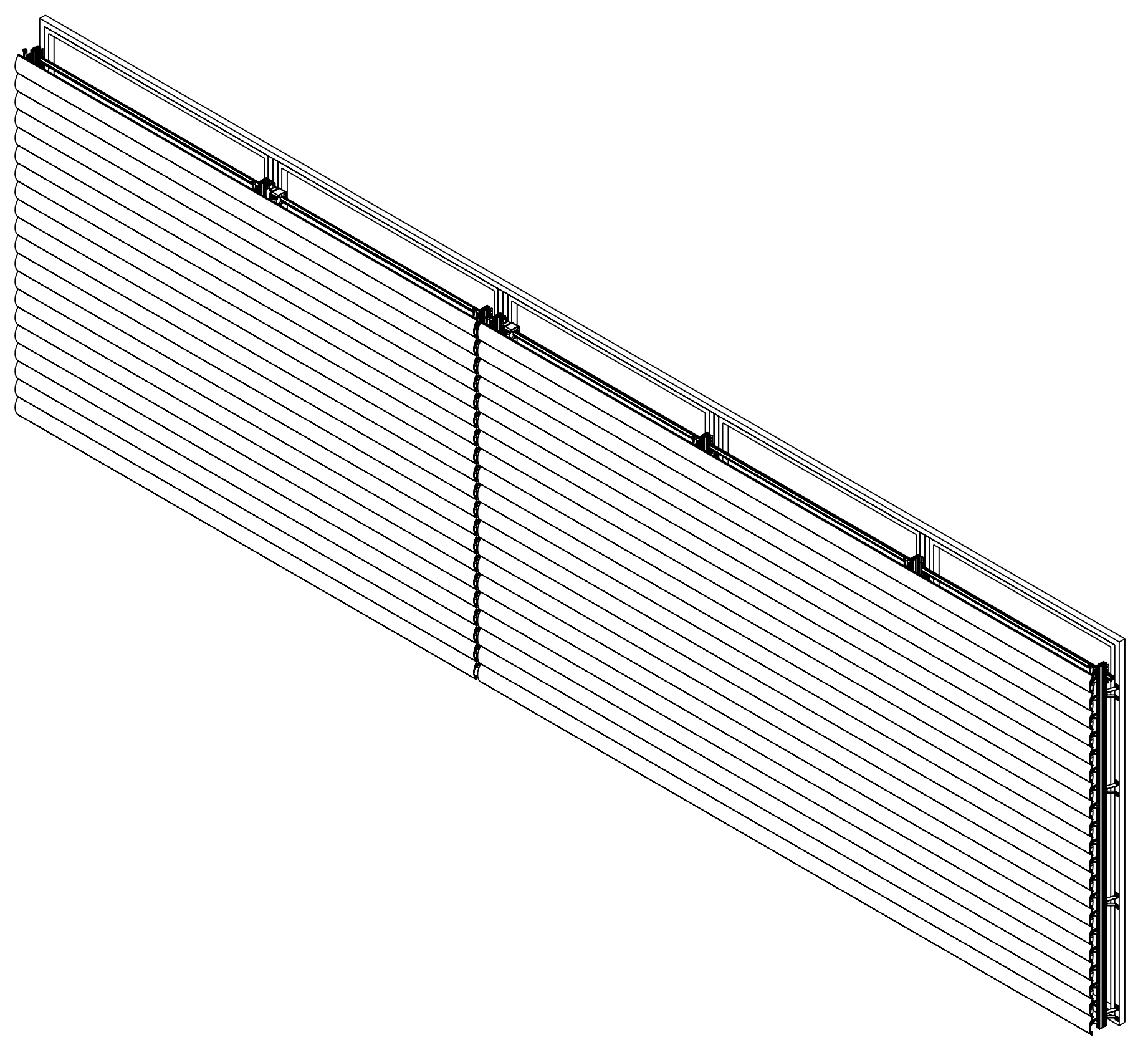
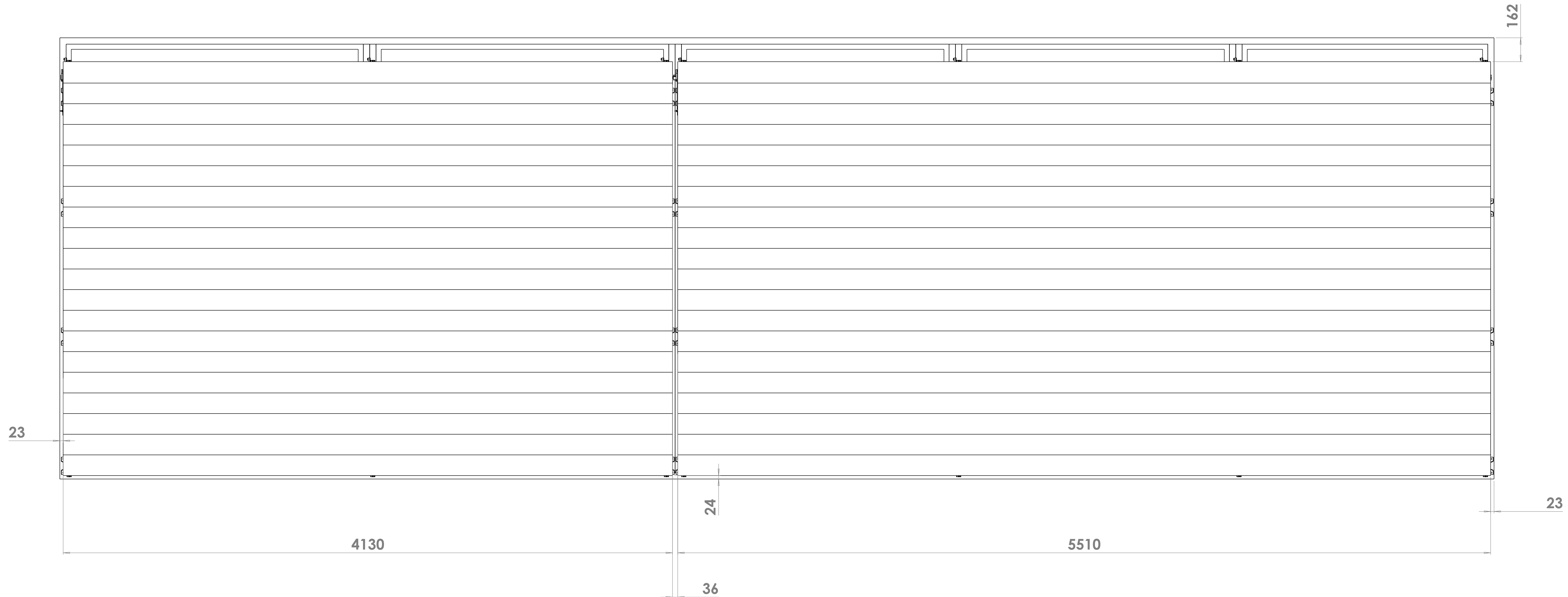
ATTENTION

3.5x3.5 LOCK SHIM

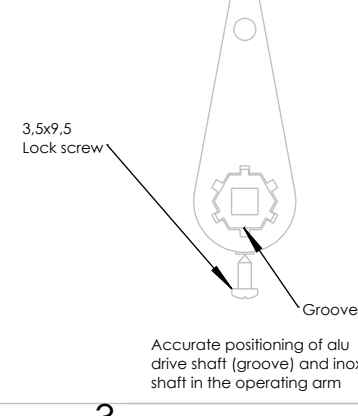
3.5x3.5 LOCK SHIM

Accurate positioning of the drive shaft is essential for correct operation of the louvre system.

SUNSHIELD
UNIQUE LOUVERS



ATTENTION



FASTENERS FOR INSTALLATION EXCLUDED (third party)				FASTENERS FOR SYSTEM ASSEMBLY INCLUDED			
MATERIAL				RACK ARMS & PARTS	RAL 7016 30% SD		
CUSTOMER	DATE	21-3-2023		LOUVERS	RAL 7016 30% SD		
DESCRIPTION	SCALE	1:12.5		PLASTIC PARTS	Black		
PROJECT NR	2208056						
DATE	21-3-2023						
ENGINEER	JB						
STATE	Approved						
REV	01						
QTY	1						
EXT.	145E						
REV	01						
				2208056-01-000			
				SUNSHIELD			
				UNIQUE LOUVERS			

