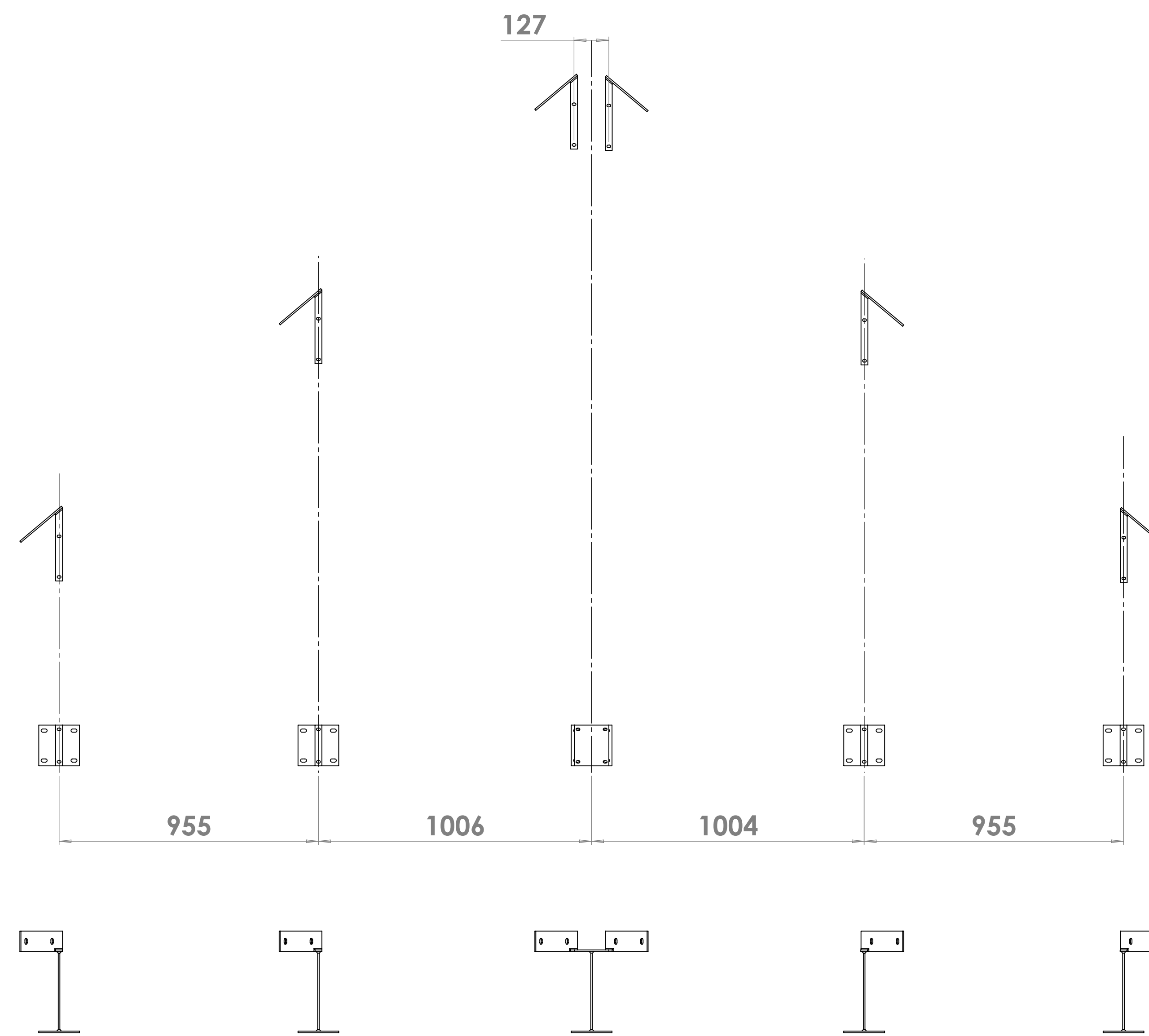


No window Frame



Window Frame
with Brackets

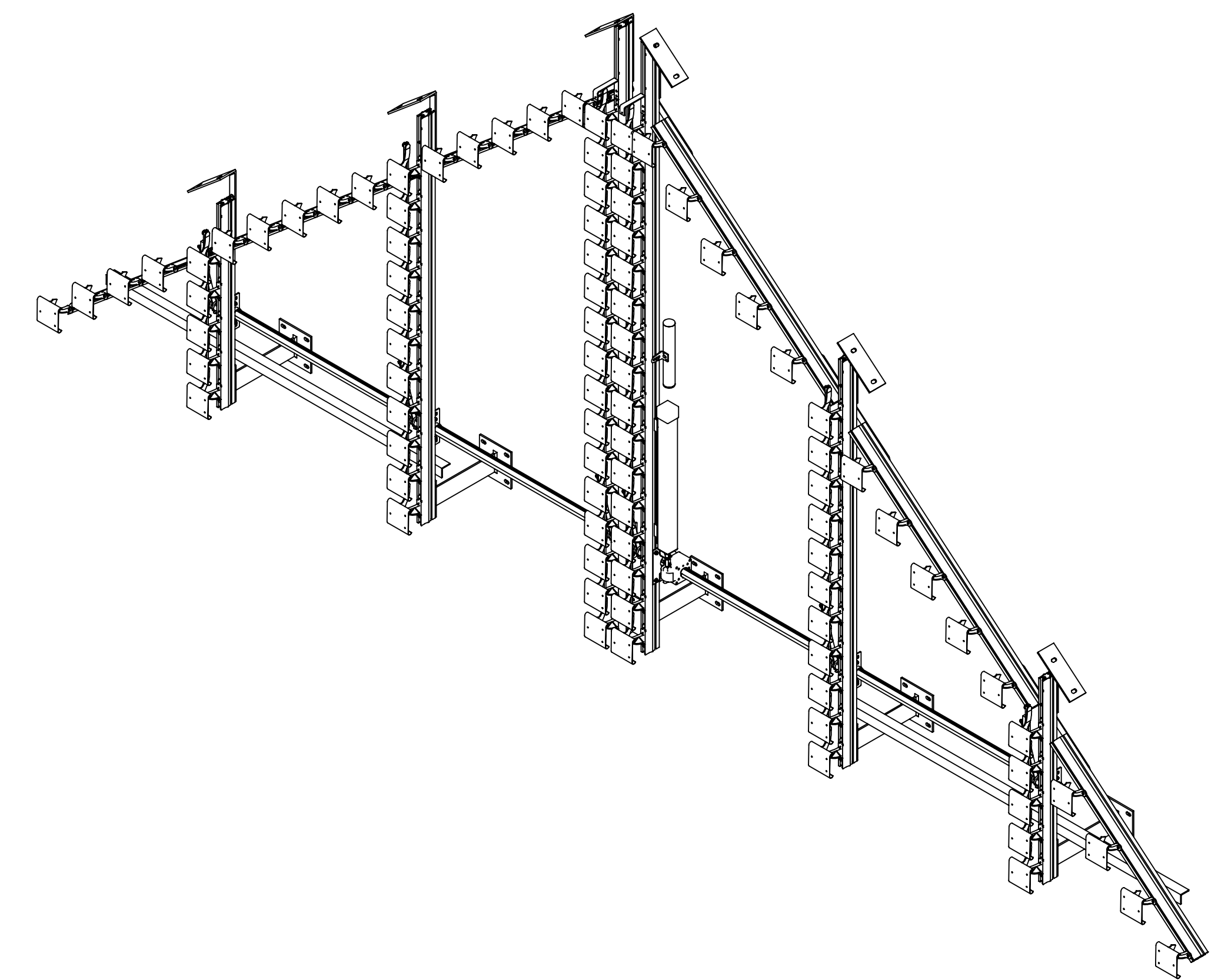
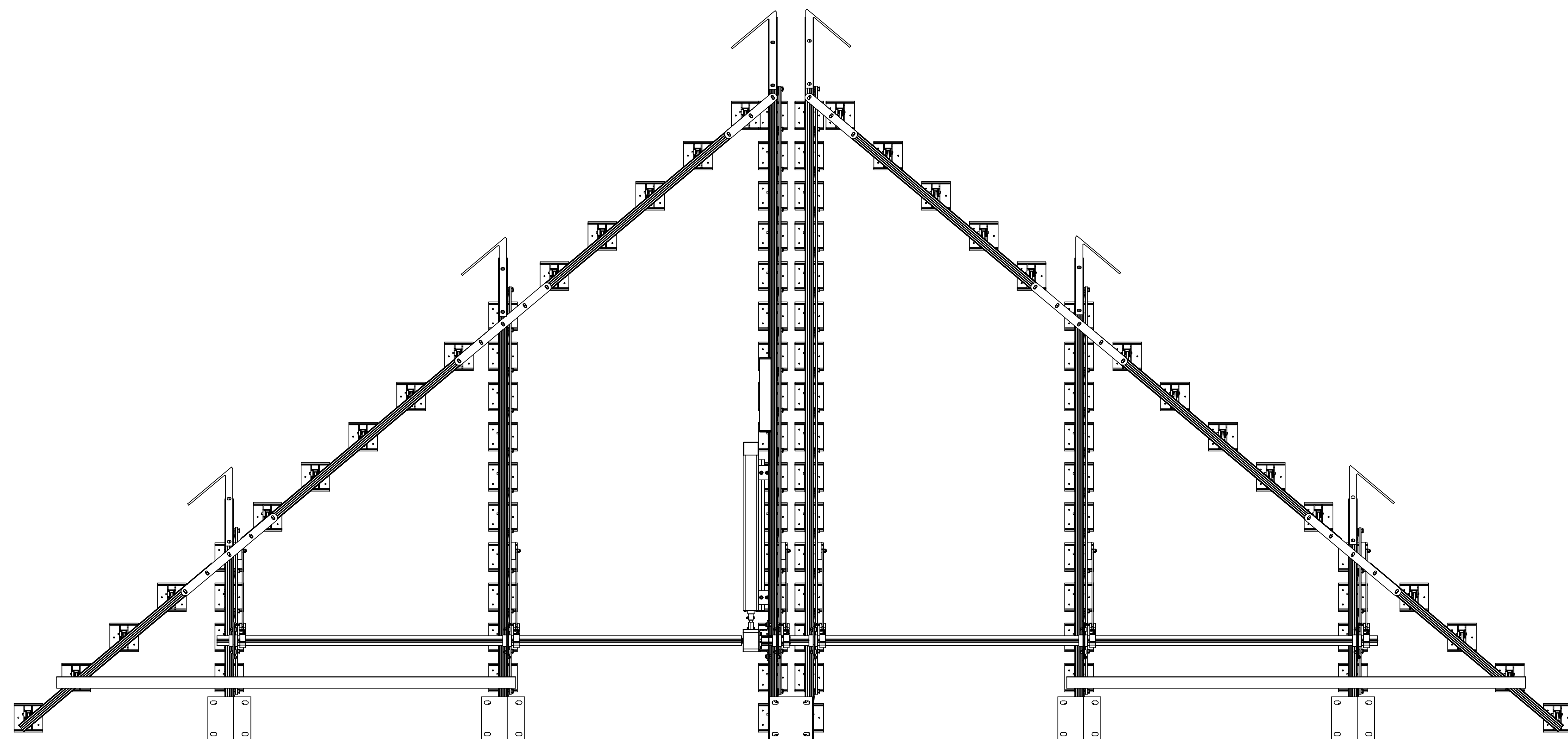
ATTENTION

3.5x3 LOCK WASH
Groove

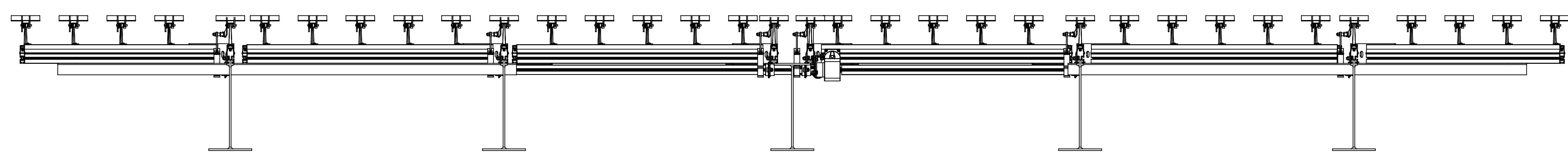
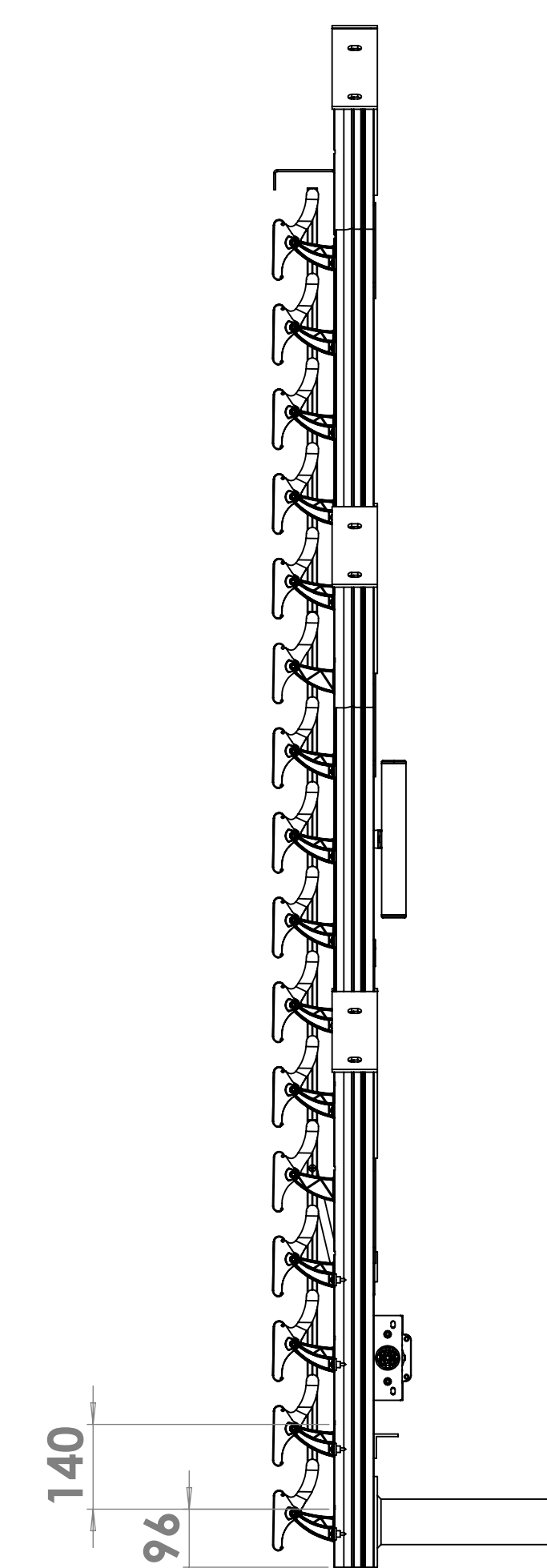
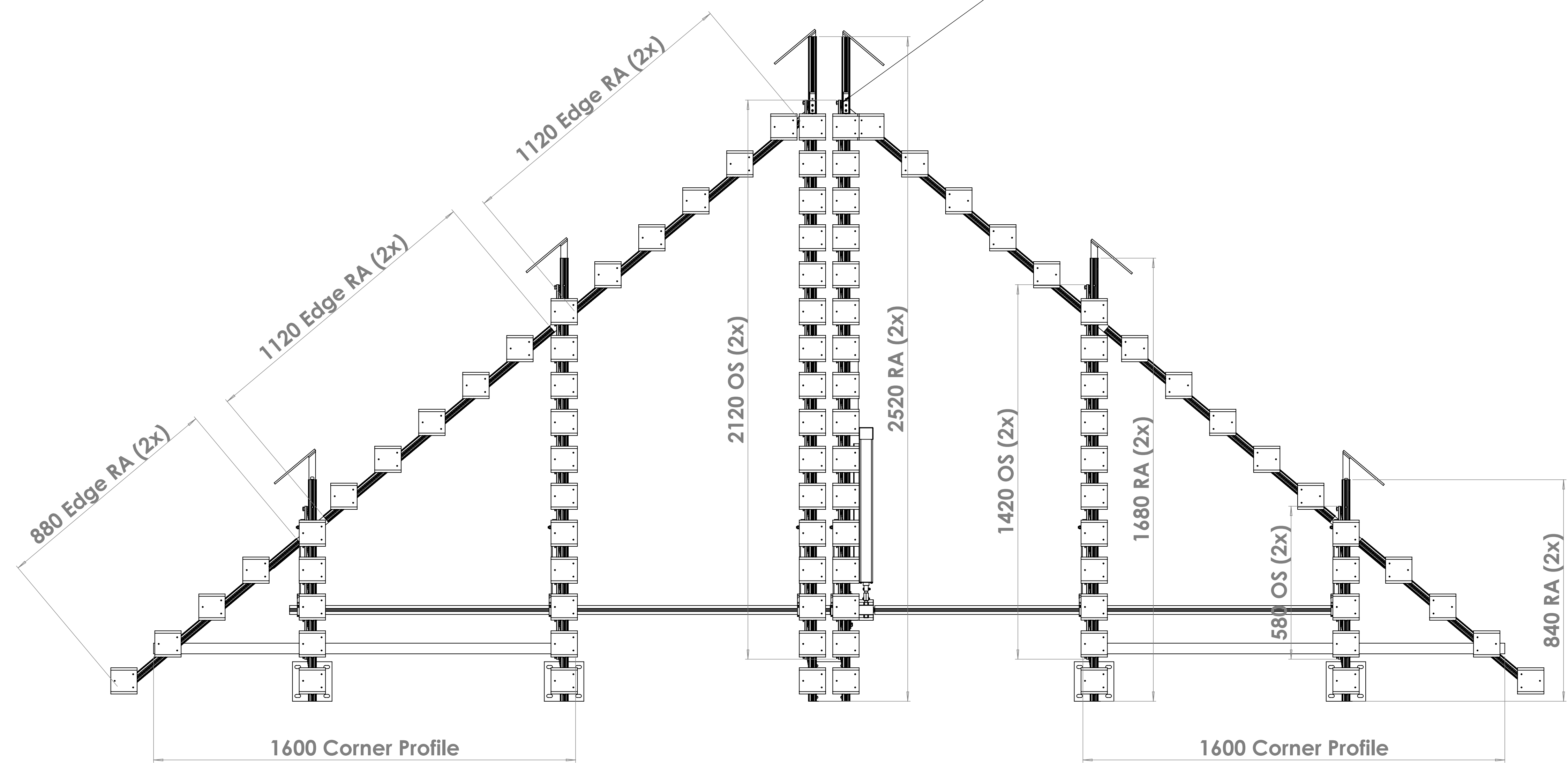
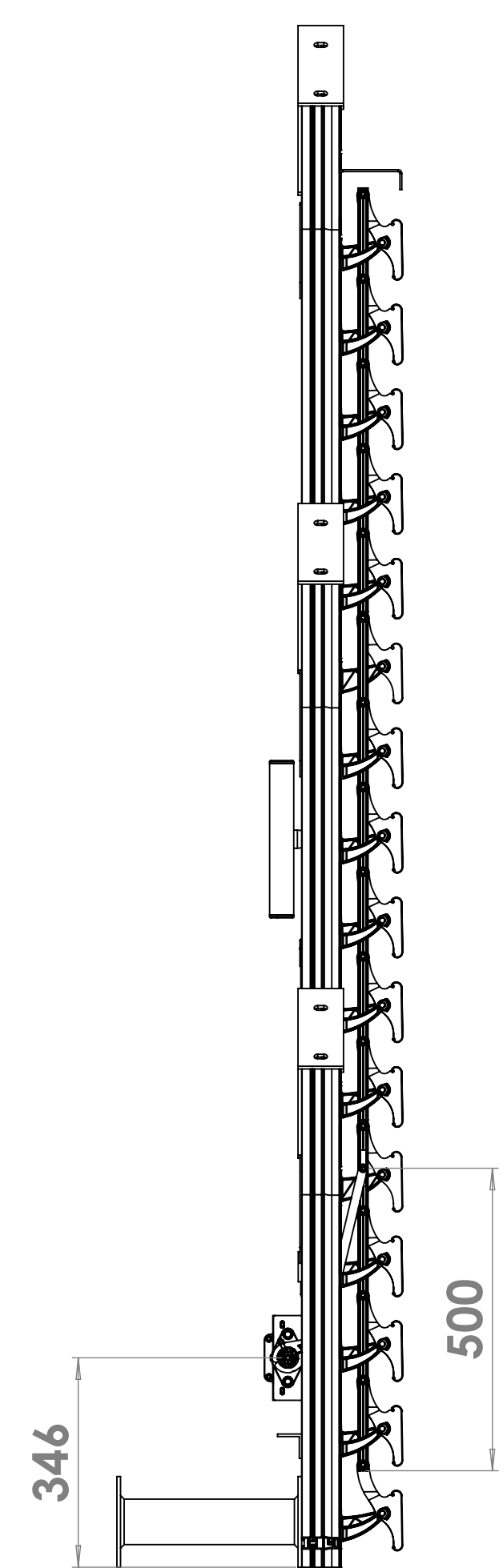
Accurate positioning of the fastener is essential for correct operation of the louvre.

FASTENERS FOR INSTALLATION EXCLUDED (third party)		FASTENERS FOR SYSTEM ASSEMBLY INCLUDED	
MATERIAL		RACK ARMS & PARTS	RAL 7016 30% SD
CUSTOMER	DATE 5-10-2022	LOUVERS	Untreated WRC
DESCRIPTION	SCALE 1:12.5	PLASTIC PARTS	Black
PROJECT NR	ENGINEER JB	DATE	
Quantity 65	QTY 1	2207063-01-000	1:4 A0
Material NL 4941 V1	STATE Approved		
Approved by [Signature]	REV 01		

SUNSHIELD
UNIQUE LOUVERS

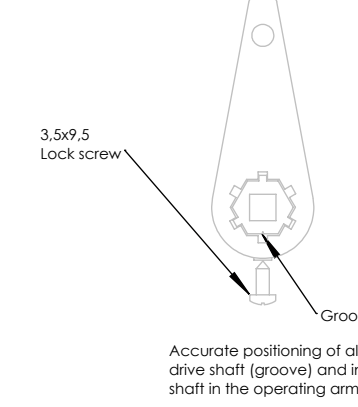


Fixed Louver Bracket (2x)



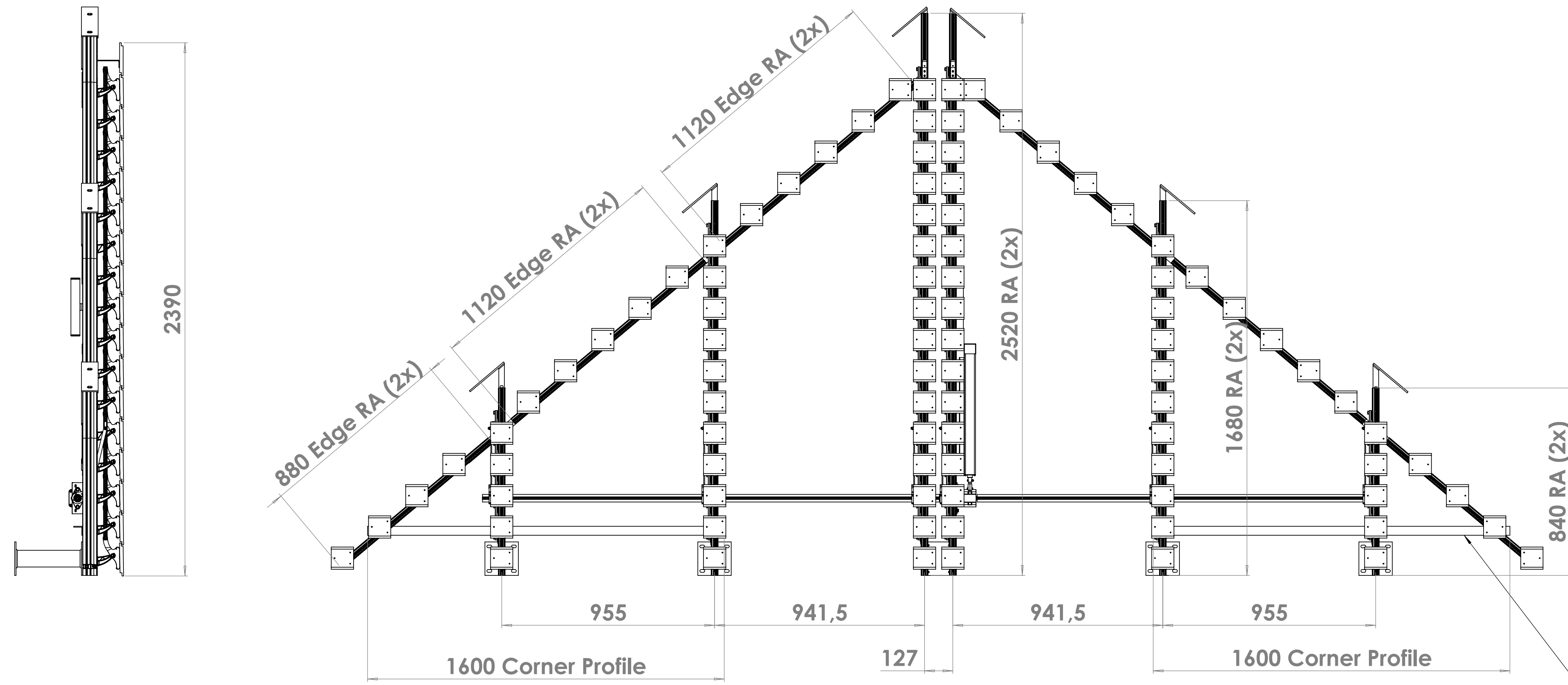
ITEM NO.	QTY.	SW-File Name (File Name)	DESCRIPTION	Comment 2
1	2	14 603	Edge Rack Arm Connect-strip 3 holes for M8 (L/R)	
2	4	14 725	Edge Rack Arm Connect-strip 5 holes for M8 (Center)	
3	2	2207063-01-100	Rack Arm 65 mm L-System, Pitch 140 mm (96)	L=1680
4	2	2207063-01-100	Rack Arm 65 mm L-System, Pitch 140 mm (96)	L=2520
5	2	2207063-01-100	Rack Arm 65 mm L-System, Pitch 140 mm (96)	L=840
6	4	2207063-01-211	Heavy Duty Edge Rack arm 65 mm	L=1120
7	2	2207063-01-213	Heavy Duty Edge Rack arm 65 mm	L=880
8	2	2207063-01-301	Fixed Louver Bracket	T=3
9	9	2207063-01-401	148W Louver	L=See DWG
10	9	2207063-01-403	148W Louver	L=See DWG
11	8	2207063-01-404	148W Louver	L=See DWG
12	1	2207063-01-501	Drive tube 35 mm	L=1830
13	1	2207063-01-502	Drive tube 35 mm	L=2050
14	2	2207063-01-601	Corner Profile 40x40x4	L=1600
15	1	28 143	Somfy SUNEa SCR 40 IO, 13/10/230V, 5m white cable	
16	1	28 161	Somfy Situ0 1 IO Pure Transmitter, White	
17	1	28 965	Hirschmann Set STAK/STAS-2 (Stak/Stos/clamp)	
18	28	45 125	Fixing Clip Wood Louver	L=100
19	28	45 361	Turnable pivot (kit), L-System (incl. Slotclip & screw)	
20	1	45 813 22	Motor Kit 13:1 IO/RTS	
21	1	58 988	Stak/Stos Protecting Kit (incl. Tube, Plugs & Bracket) (lg=230mm)	

ATTENTION

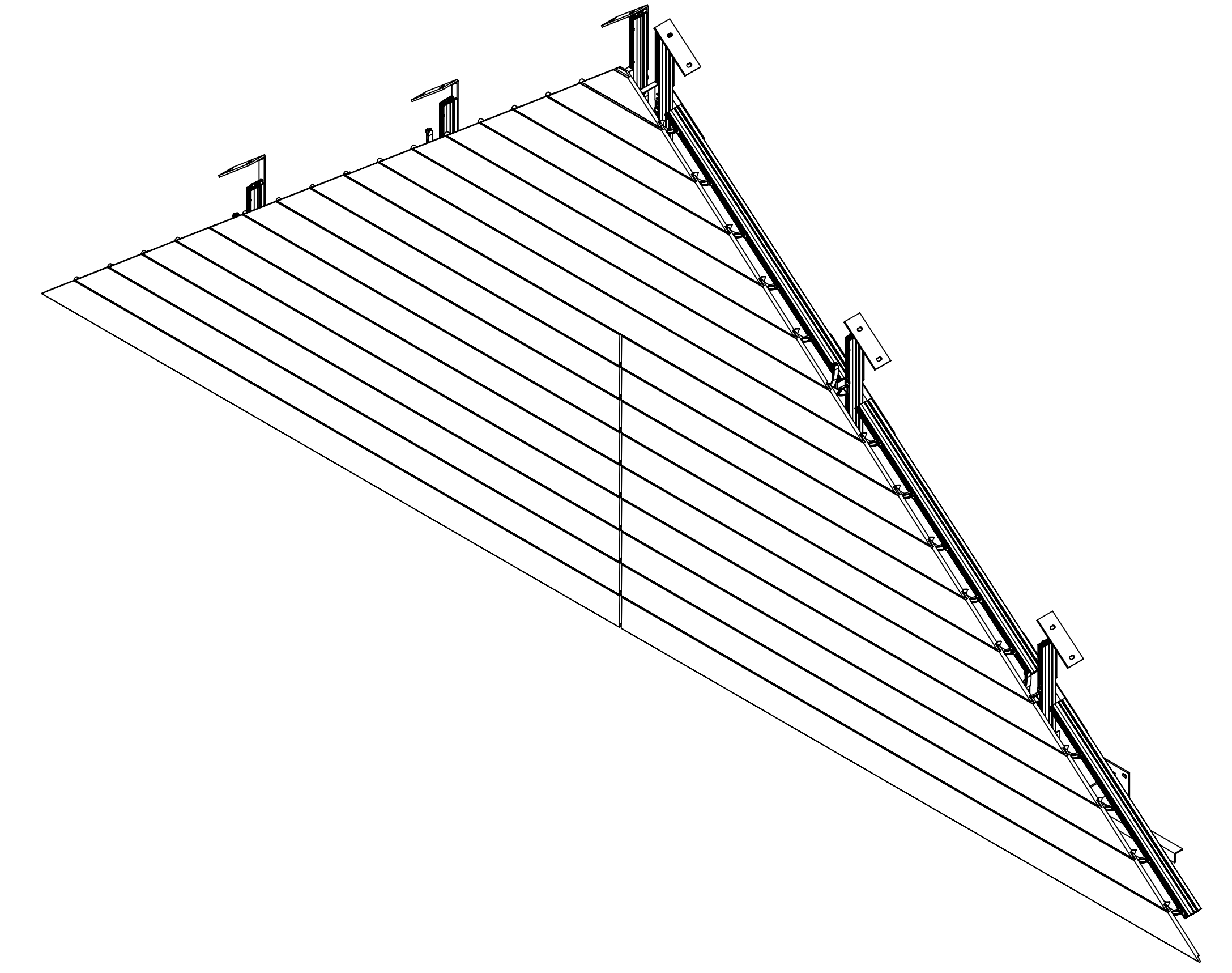
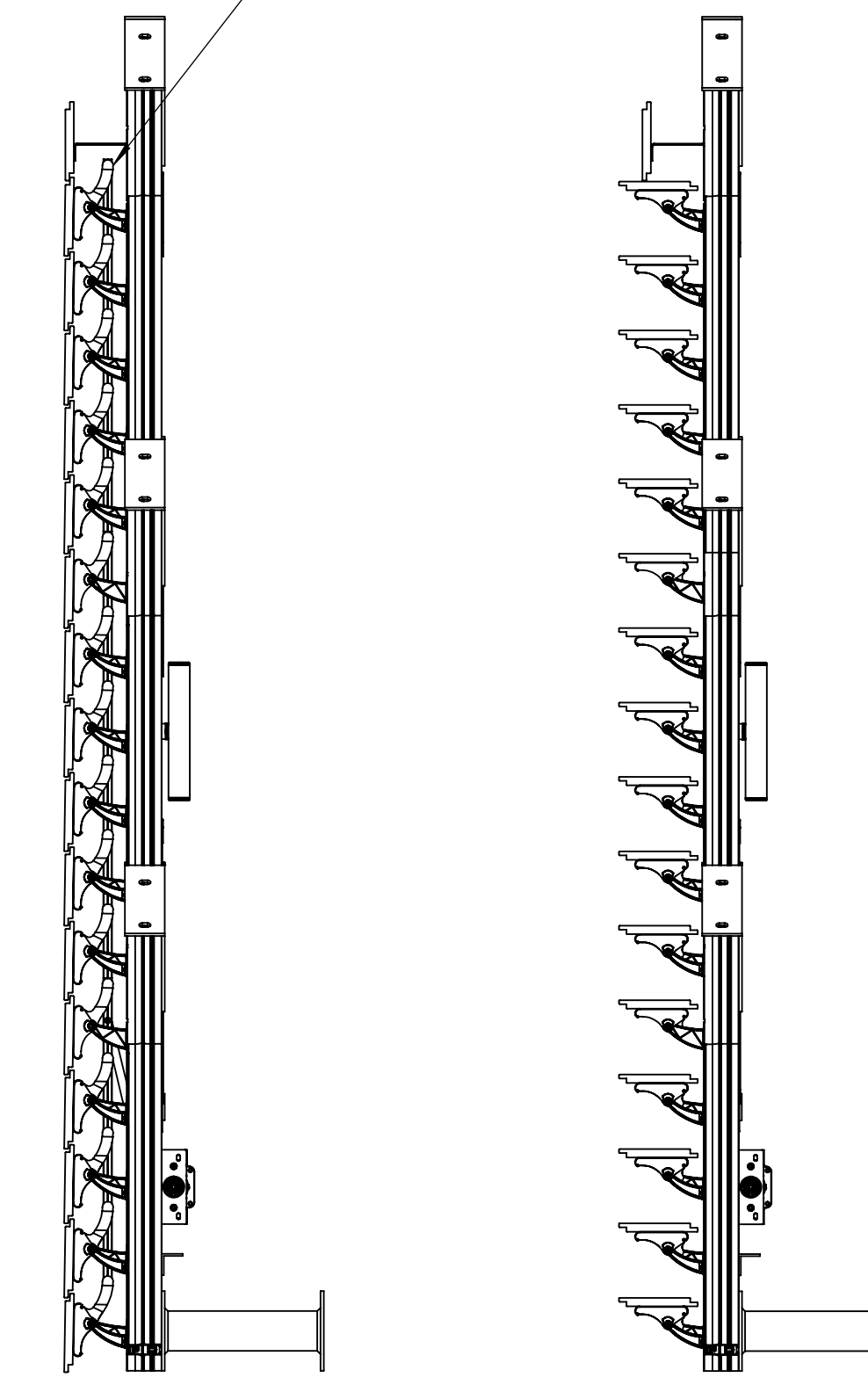


MATERIAL		FASTENERS FOR SYSTEM ASSEMBLY INCLUDED	
CUSTOMER	DATE	5-10-2022	RACK ARMS & PARTS
DESCRIPTION	SCALE	1:10	LOUVERS
PROJECT NR	ENGINEER	JB	PLASTIC PARTS
Customer's Ref	QTY	1	2207063-01-000
Project Ref	STATE	Approved	
Revision Ref	REV	01	

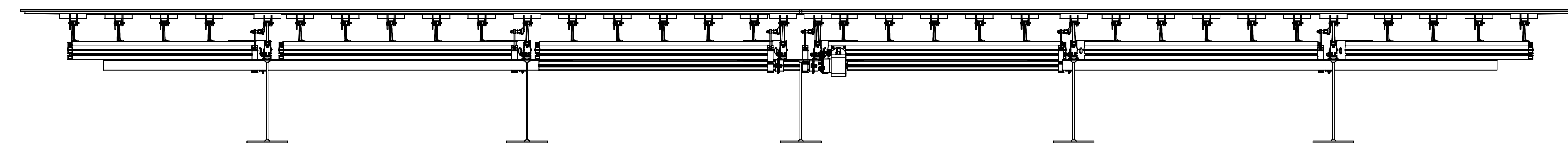




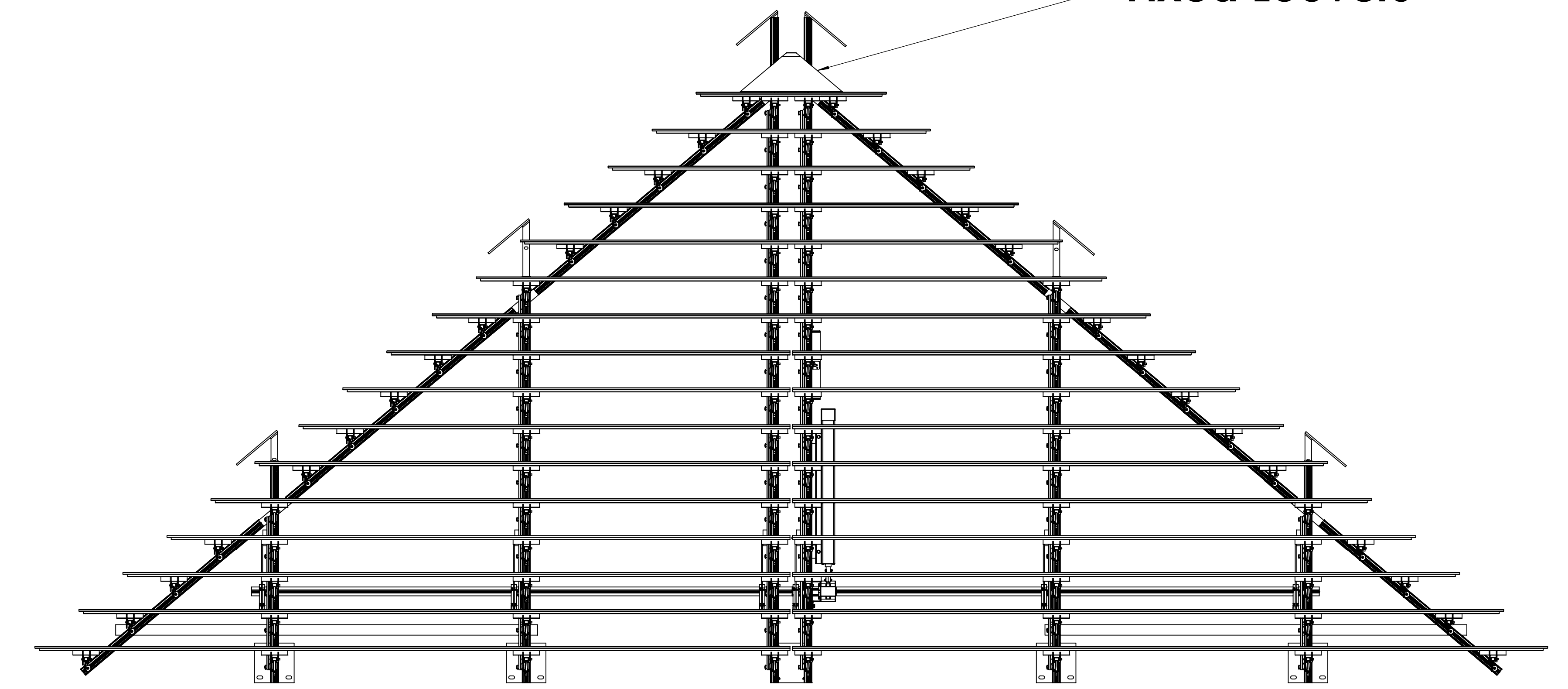
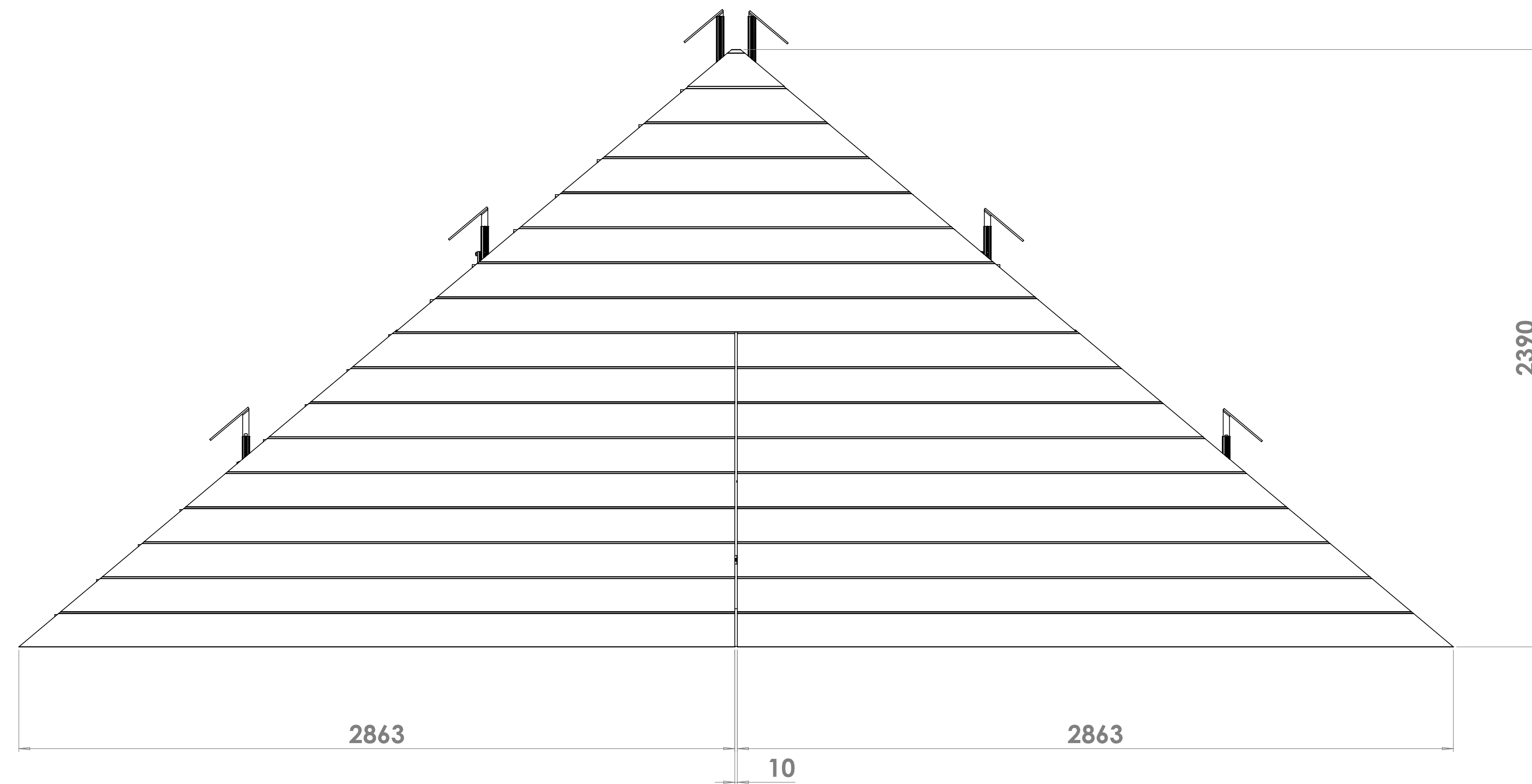
Fixed Louver Bracket



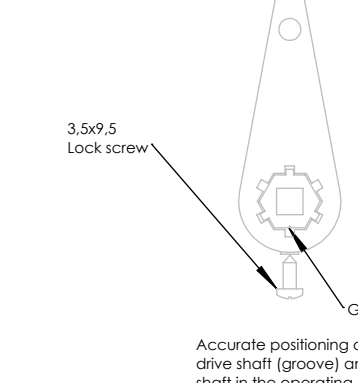
Corner profile 2x For Edge RA support
Mounting holes drilled on site



Fixed Louvers

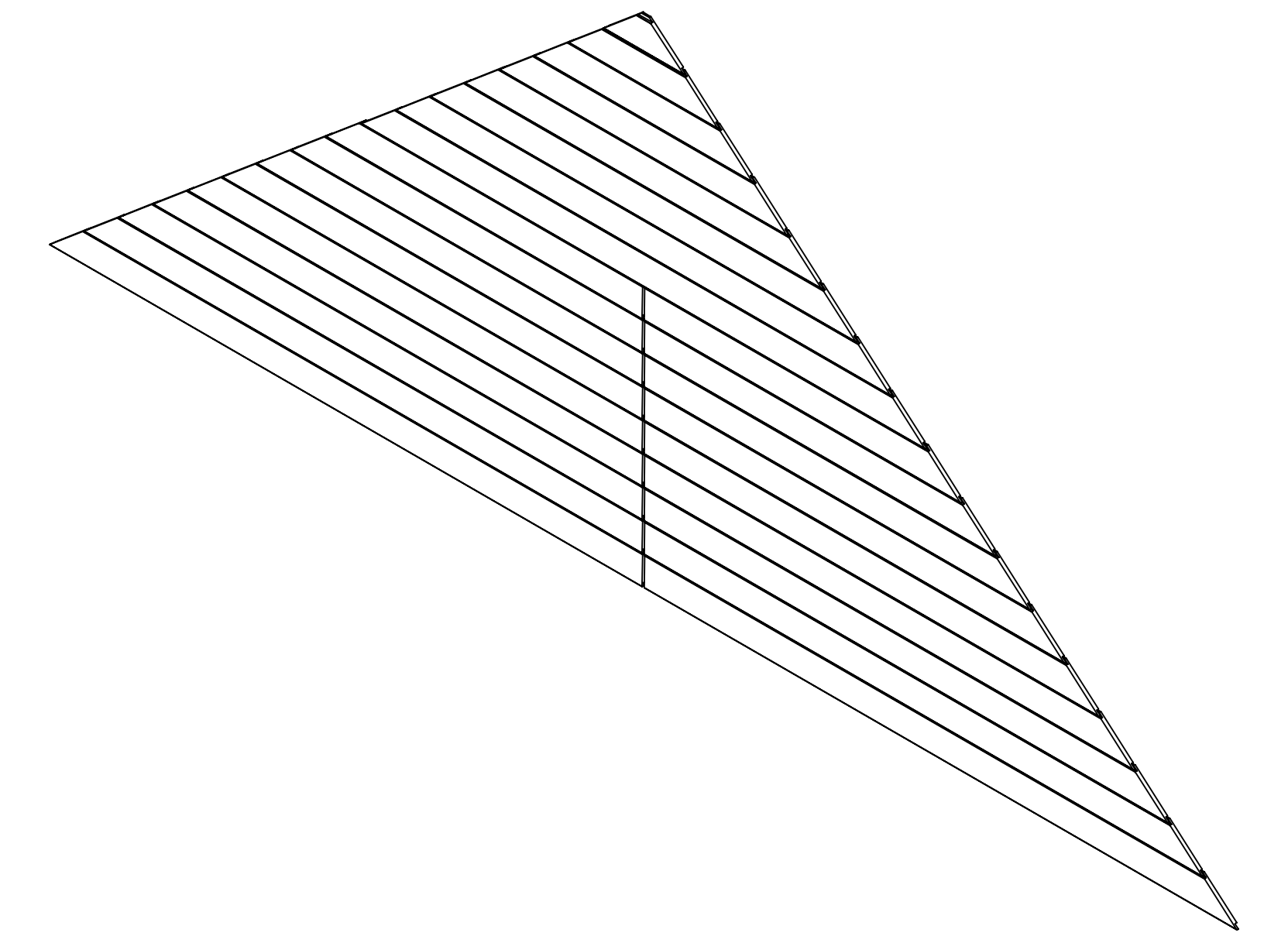
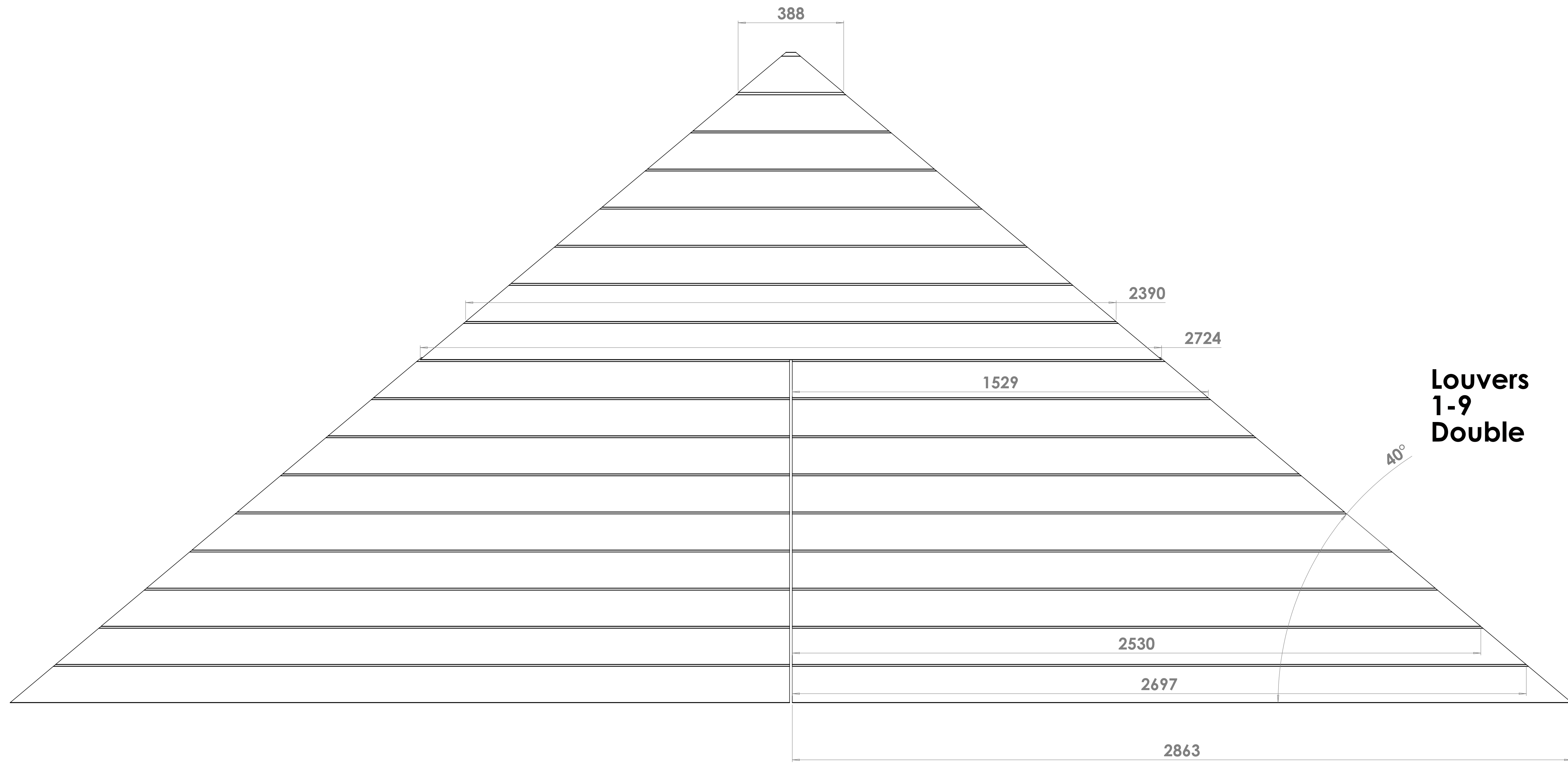


ATTENTION



FASTENERS FOR INSTALLATION EXCLUDED (third party)		FASTENERS FOR SYSTEM ASSEMBLY INCLUDED	
MATERIAL		RACK ARMS & PARTS	RAL 7016 30% SD
CUSTOMER		LOUVERS	Untreated WRC
DESCRIPTION		PLASTIC PARTS	Black
PROJECT NR		QUANTITY	2207063-01-000
DATE	5-10-2022	STATE	Approved
SCALE	1:12.5	REV	01
ENGINEER	JB		





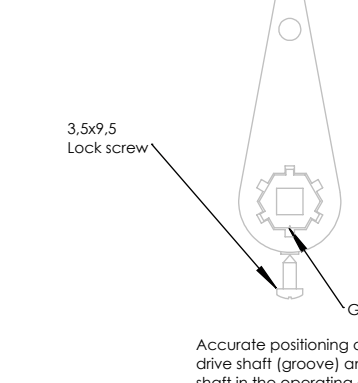
17	17	388	Schuin
16	16	722	Schuin
15	15	1055	Schuin
14	14	1389	Schuin
13	13	1723	Schuin
12	12	2056	Schuin
11	11	2390	Schuin
10	10	2724	Schuin

9	9	1529	Schuin	9	9	1529	Schuin
8	8	1696	Schuin	8	8	1696	Schuin
7	7	1862	Schuin	7	7	1862	Schuin
6	6	2029	Schuin	6	6	2029	Schuin
5	5	2196	Schuin	5	5	2196	Schuin
4	4	2363	Schuin	4	4	2363	Schuin
3	3	2530	Schuin	3	3	2530	Schuin
2	2	2697	Schuin	2	2	2697	Schuin
1	1	2863	Schuin	1	1	2863	Schuin



**Louvers
1-9
Double**

ATTENTION



FASTENERS FOR INSTALLATION EXCLUDED (third party)		FASTENERS FOR SYSTEM ASSEMBLY INCLUDED	
MATERIAL		RACK ARMS & PARTS	RAL 7016 30% SD
CUSTOMER		LOUVERS	Untreated WRC
DESCRIPTION		PLASTIC PARTS	Black
PROJECT NR		2207063-01-000	
DATE	5-10-2022	ENGINEER	JB
SCALE	1:7.5	STATE	Approved
QTY	1	REV	01
REVISION			

