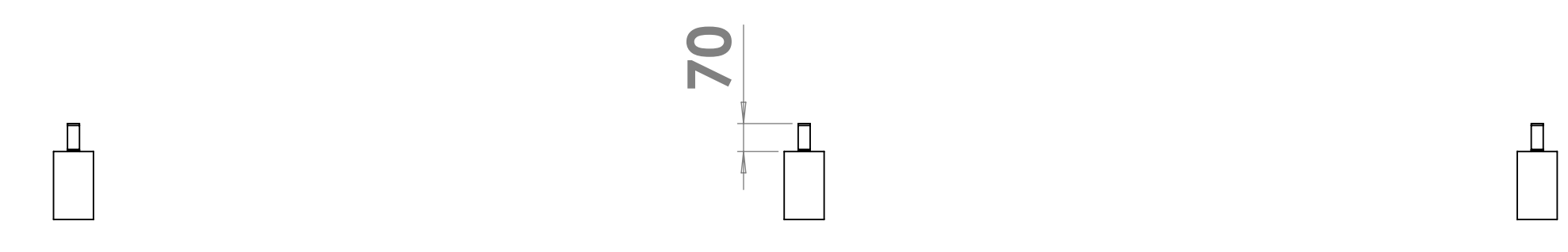
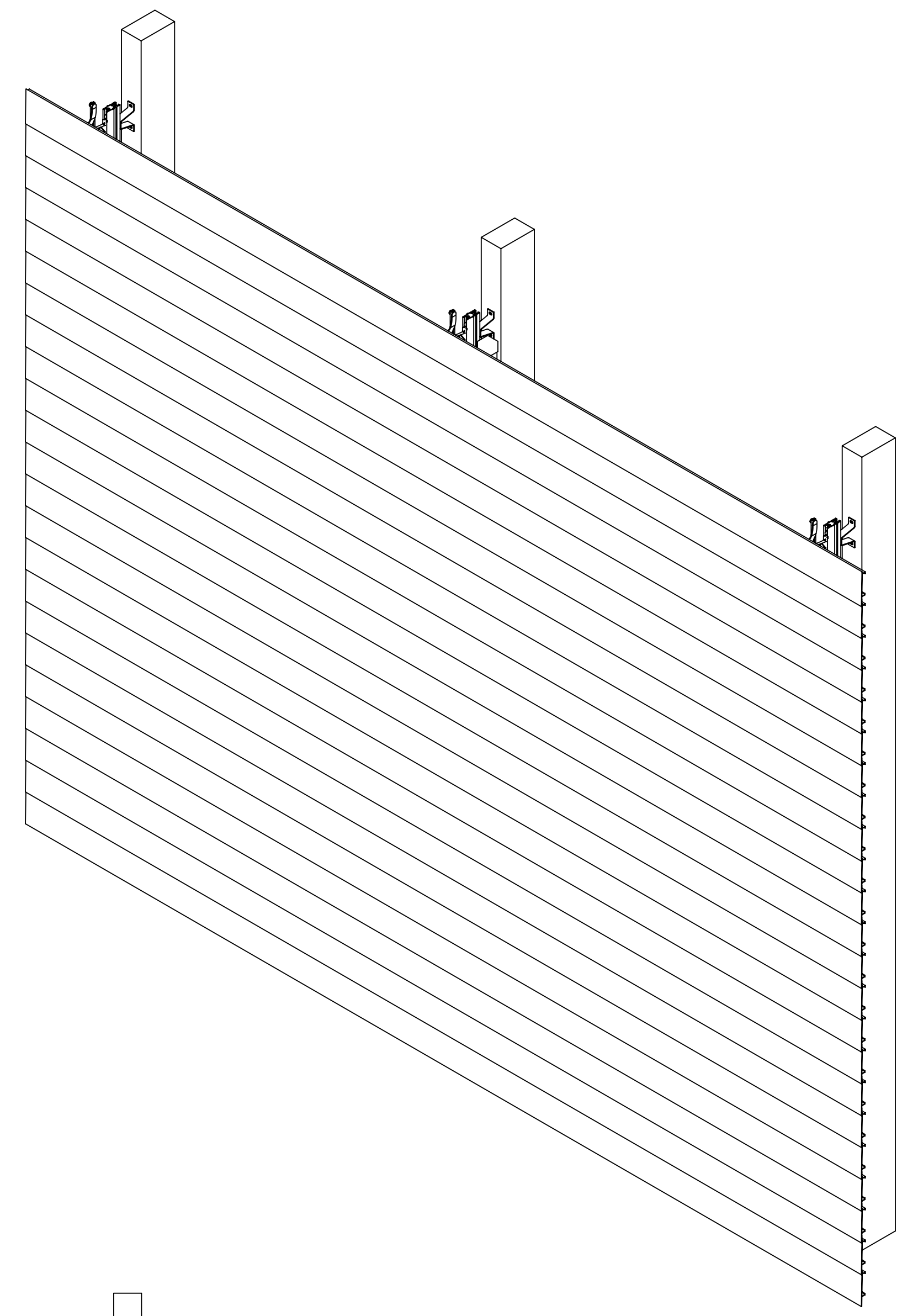
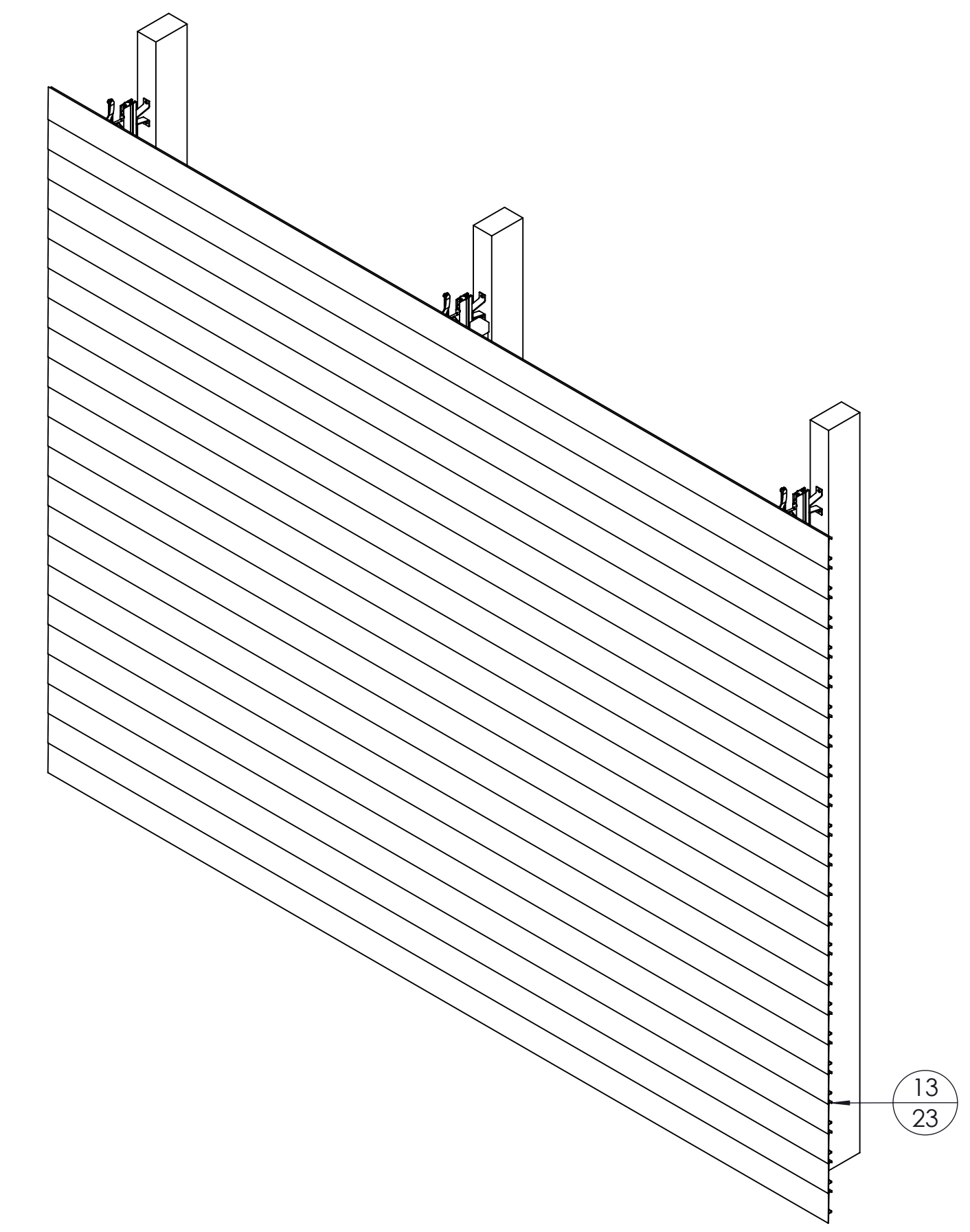
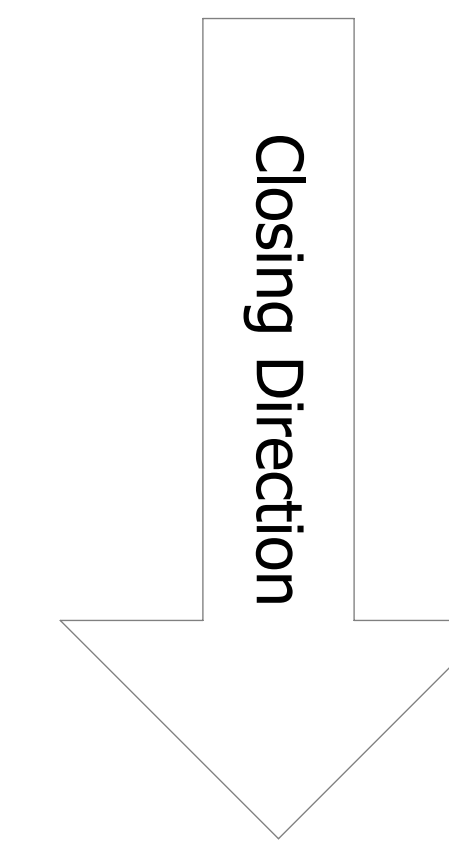
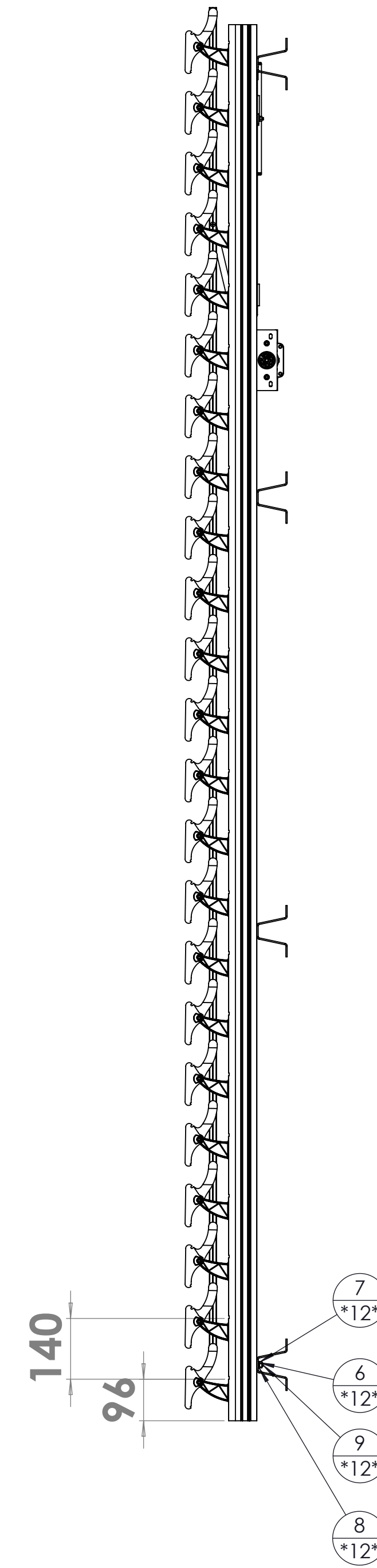
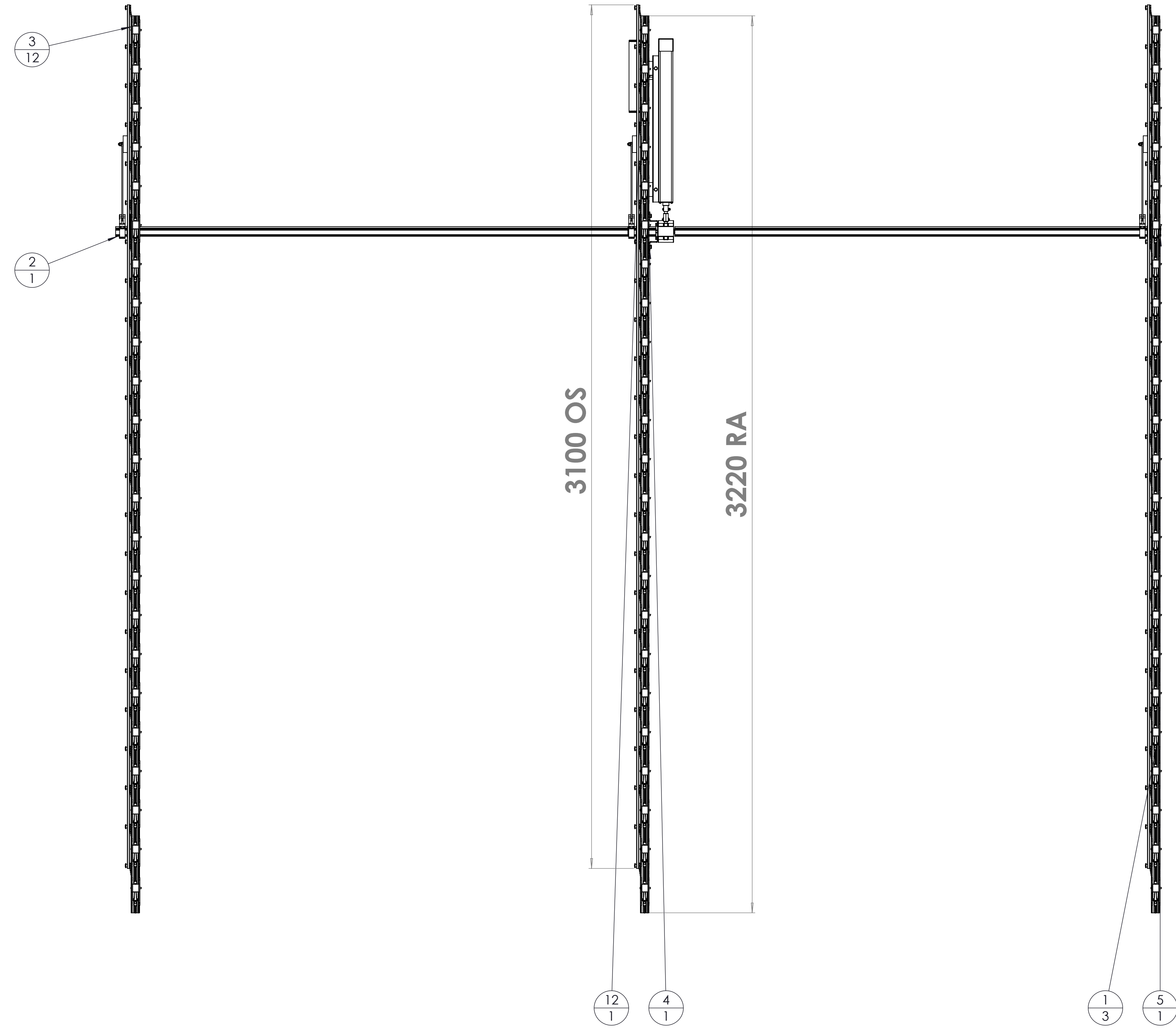
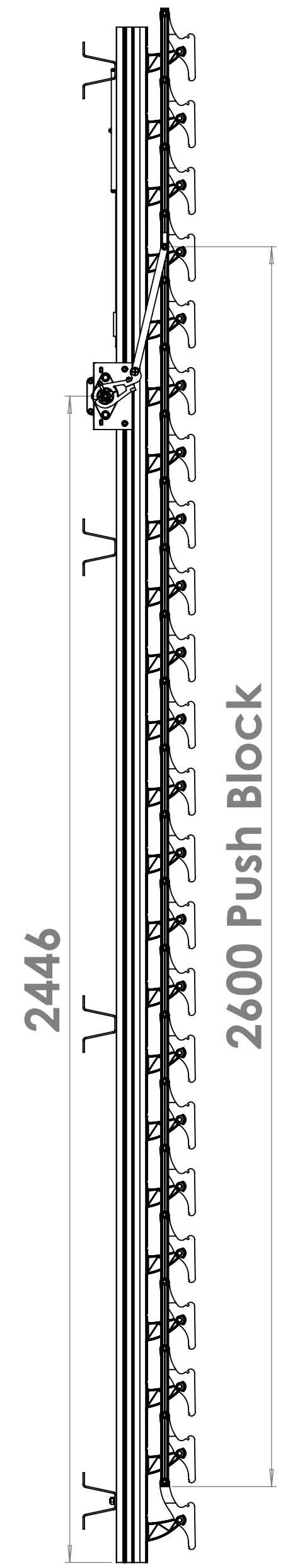


DETAIL A
SCALE 1 : 2



FASTENERS FOR INSTALLATION EXCLUDED (third party)				FASTENERS FOR SYSTEM ASSEMBLY INCLUDED			
MATERIAL							
CUSTOMER	DATE	4-3-2021	RACK ARMS & PARTS	RAL 9005 F.Sfr. SD			
DESCRIPTION	SCALE	1:15	LOUVERS	RAL 9005 F.Sfr. SD			
PROJECT NR	ENGINEER	JM	PLASTIC PARTS	Black			
Customer's Ref	QTY	1	STATE	Approved	150E	Ext	210128-01-000
NL 4941 V1	REV	01					
Project/Order/Order							
The Netherlands							
www.sunshield.com							



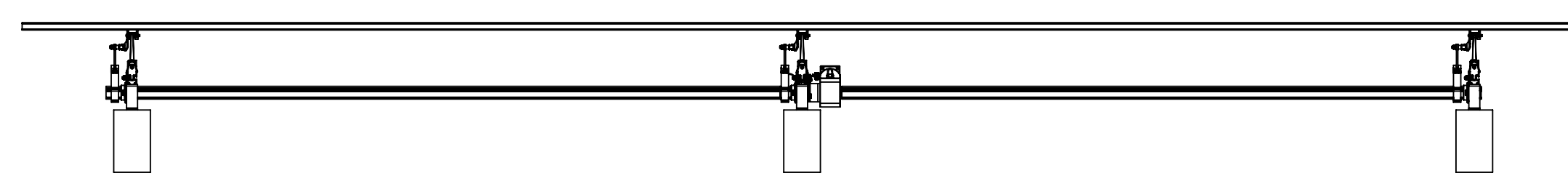
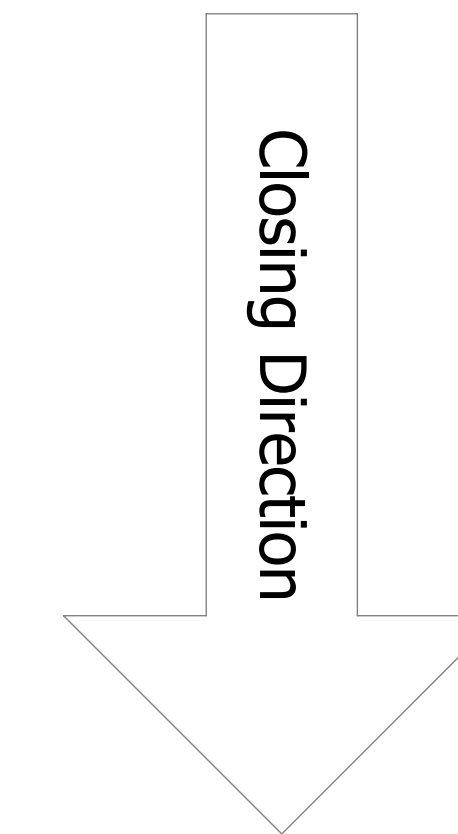
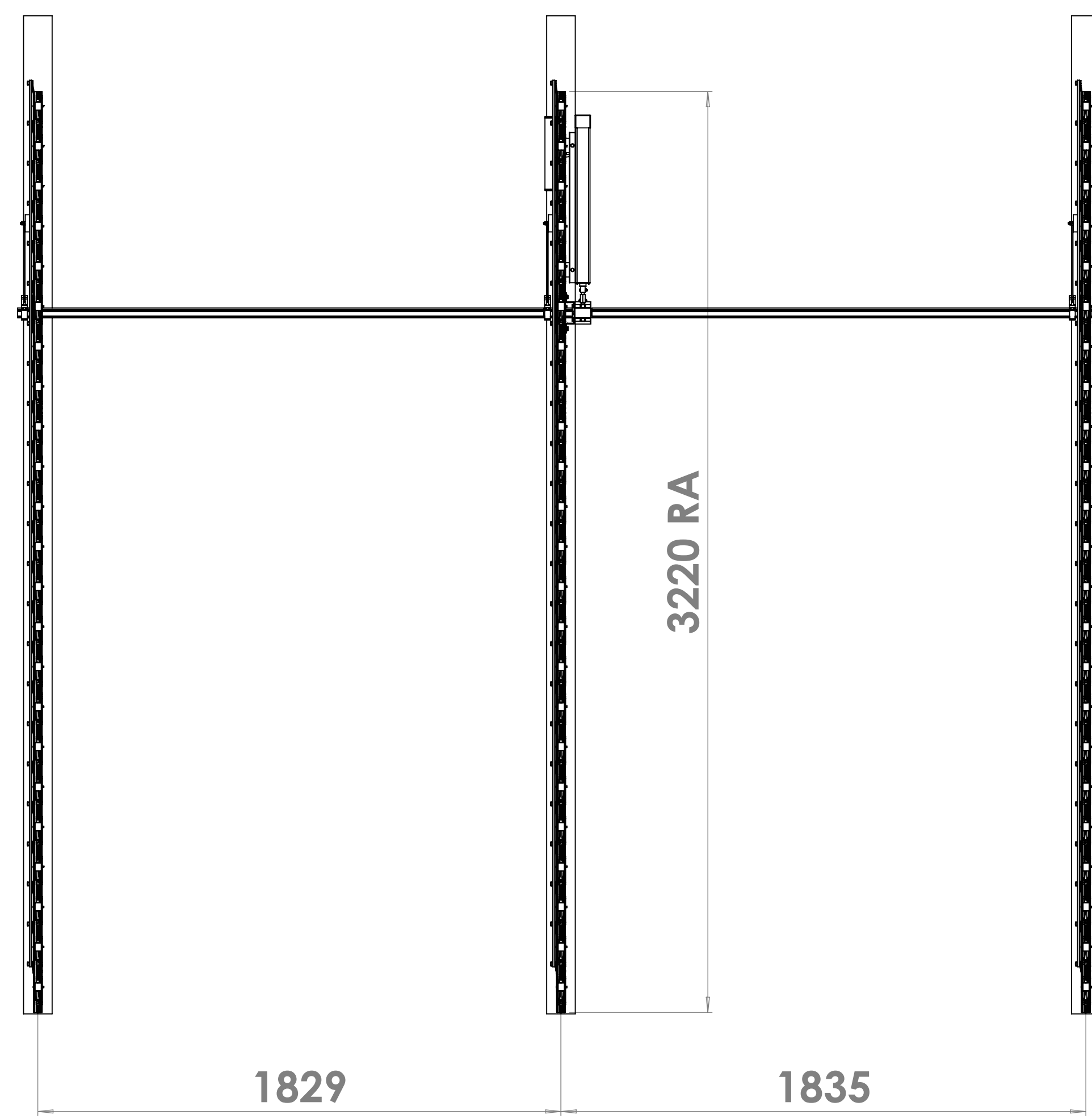
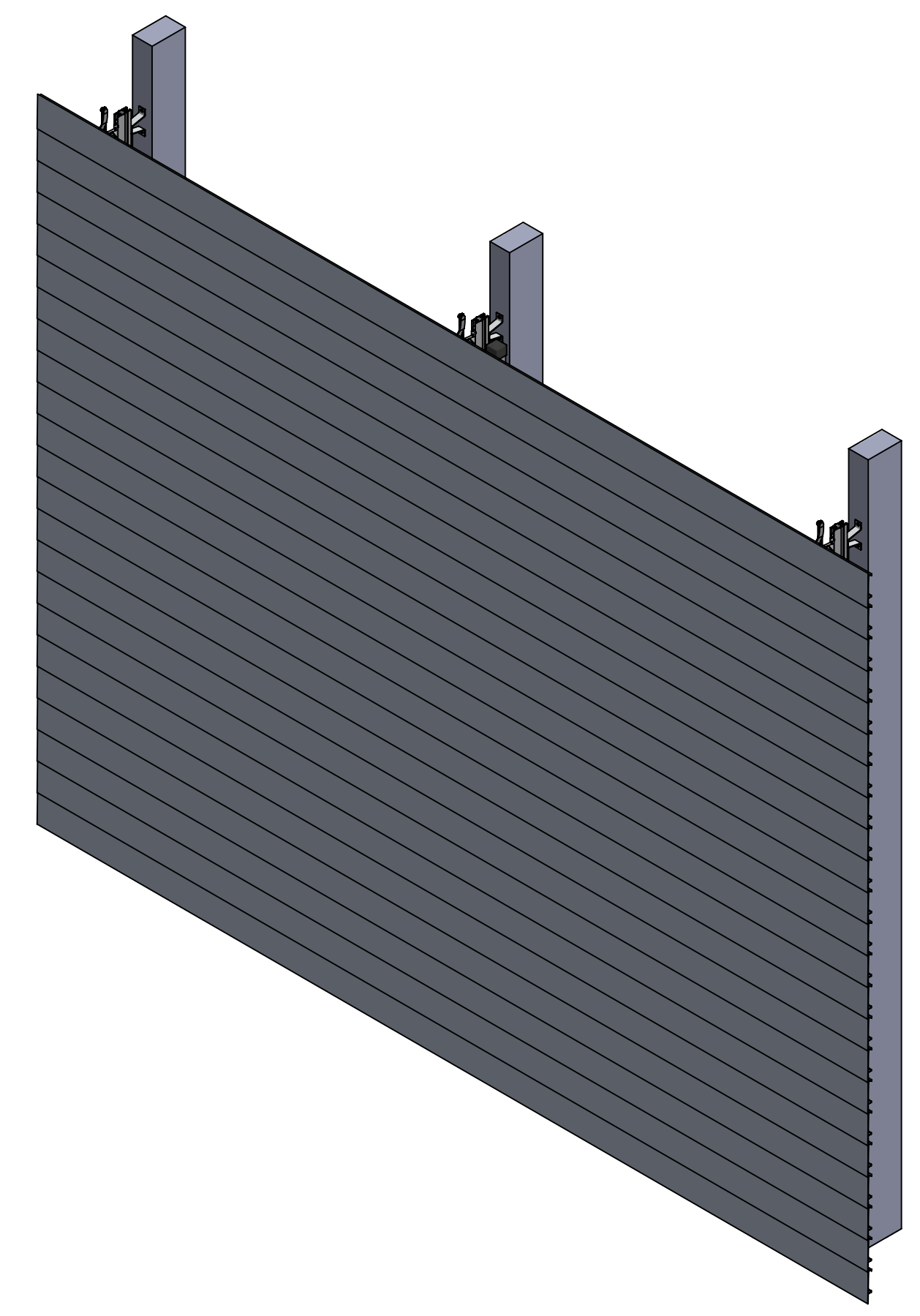
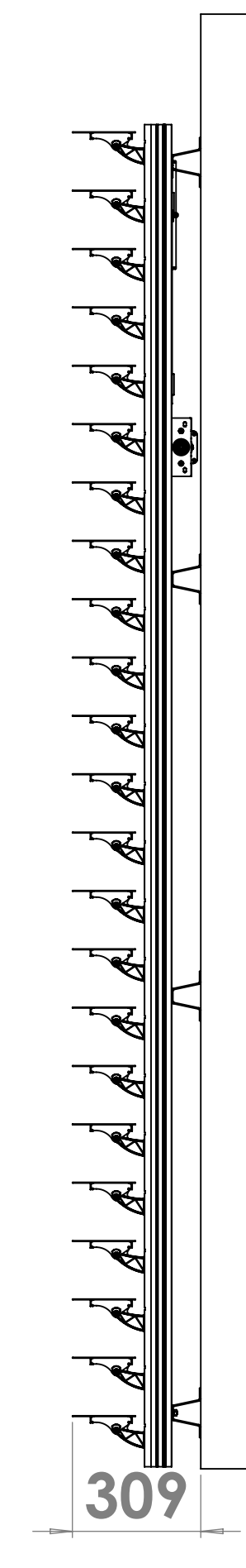
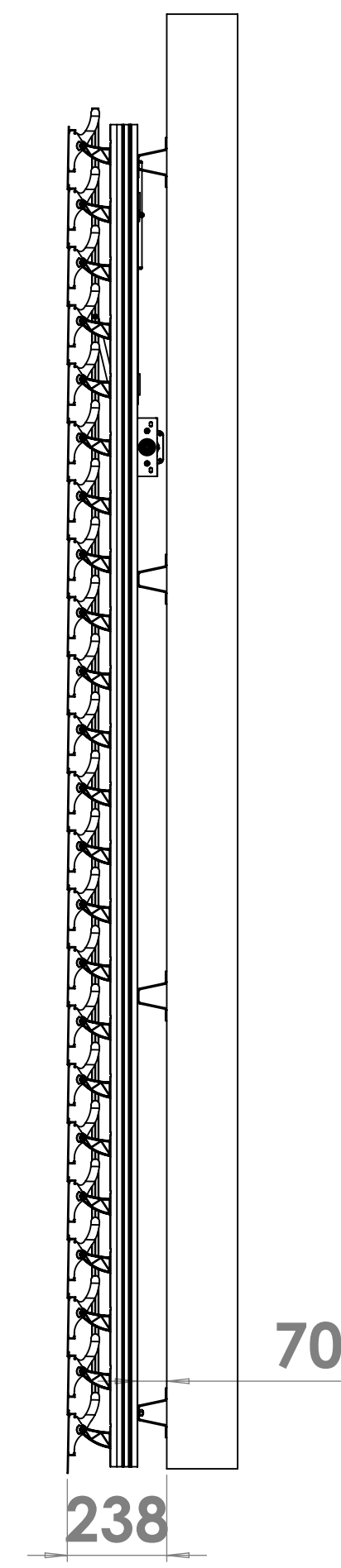
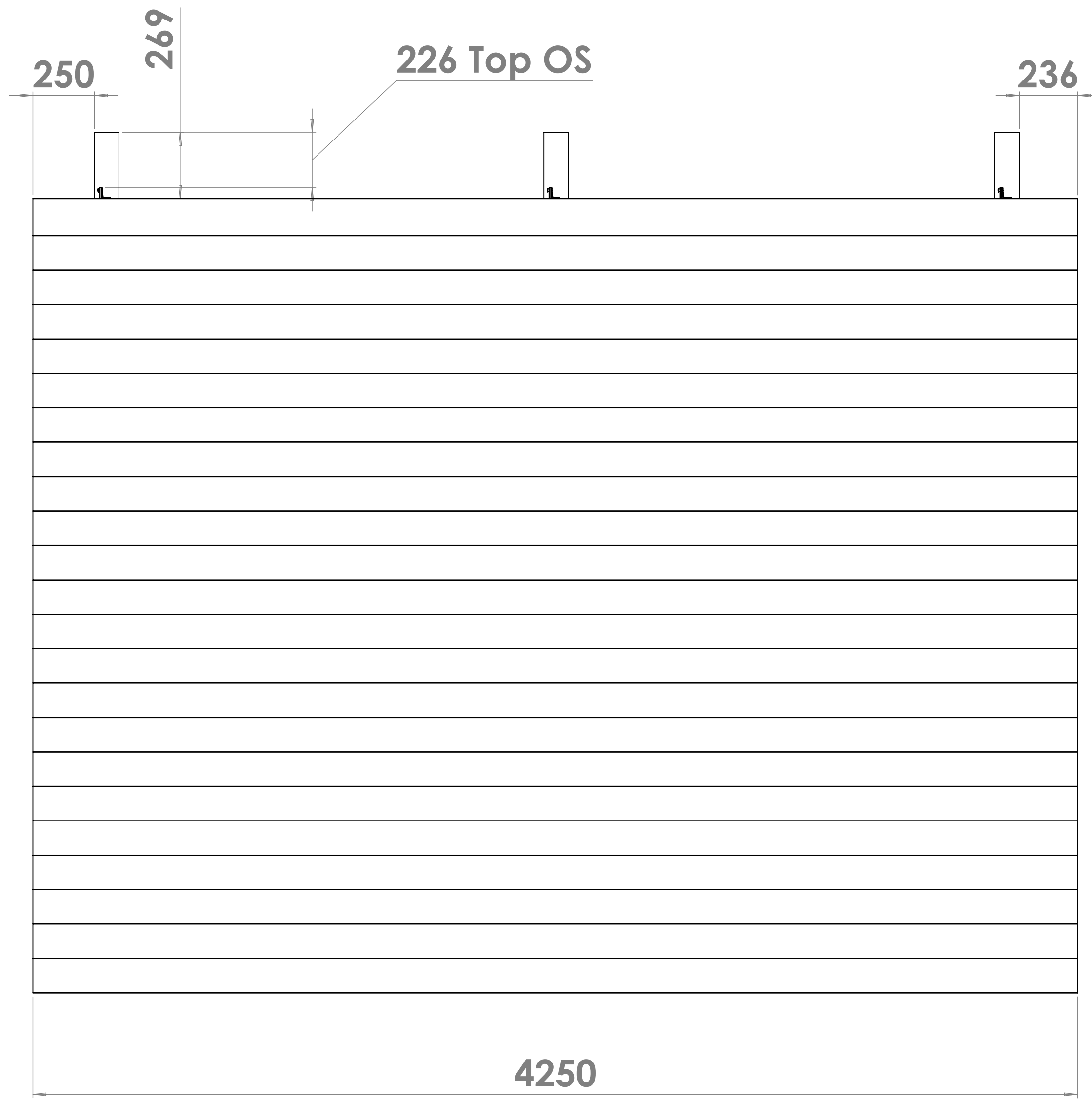
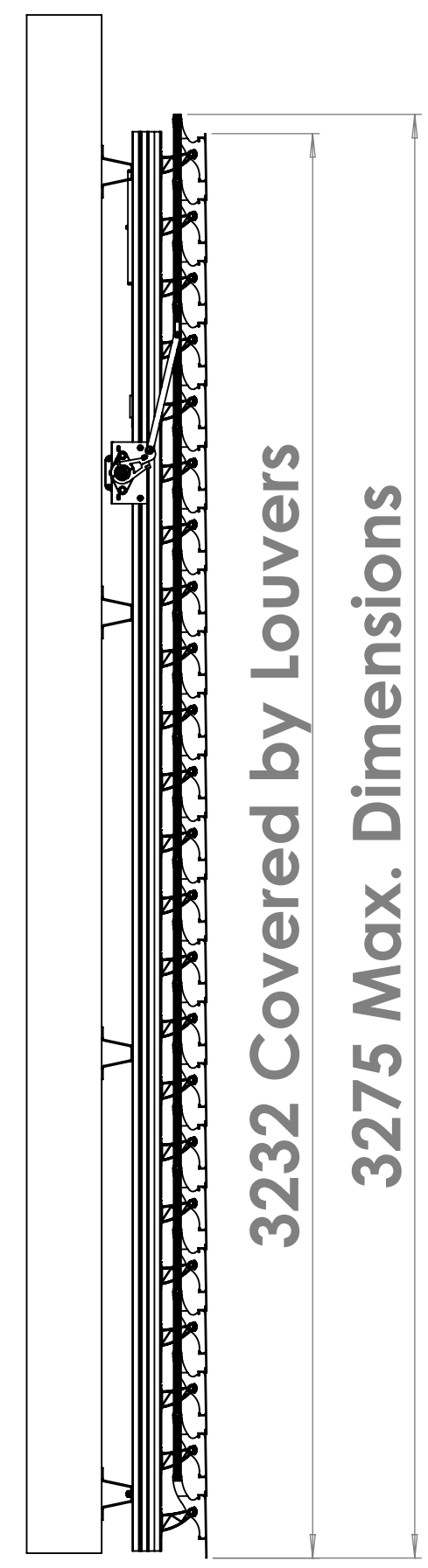


ITEM NO.	QTY.	SW-File Name(File Name)	DESCRIPTION	Comment 2
1	3	210128-01-100	Rack Arm 65 mm L-System, Pitch 140 mm (96)	L=3220 (96)
2	1	210128-01-501	Drive tube 35 mm	L=1840
3	12	14 620	Omega H-70-L, 28x68x31x68x28 x 3 mm, lg=30mm	L=30
4	1	45 813 22	Motor Kit 13:1 IO/RTS	
5	1	210128-01-502	Drive tube 35 mm	L=1745
6	*12*	908	DIN 125-1A Plain Washer M8	
7	*12*	910	DIN 934 Hexagon Nut M8	
8	*12*	911	DIN 6798-A Lock washer M8	
9	*12*	934 08 20	Hammer Head Bolt M8x20 (Type 2B/15)	
10	1	28 143	Somfy SUNEa SCR 40 IO, 13/10/230V, 5m white cable	
11	1	28 965	Hirschmann Set STAK/STAS-2 (Stak/Stas/clamp)	
12	1	58 988	Stak/Stas Protecting Kit (incl. Tube, Plugs & Bracket) (lg=250mm)	
13	23	210128-01-402	Louver 150E	L= 4250
14	1	28 161	Somfy Situo 1 IO Pure Transmitter, White	01

FASTENERS FOR INSTALLATION EXCLUDED (3rd party) FASTENERS FOR SYSTEM ASSEMBLY INCLUDED

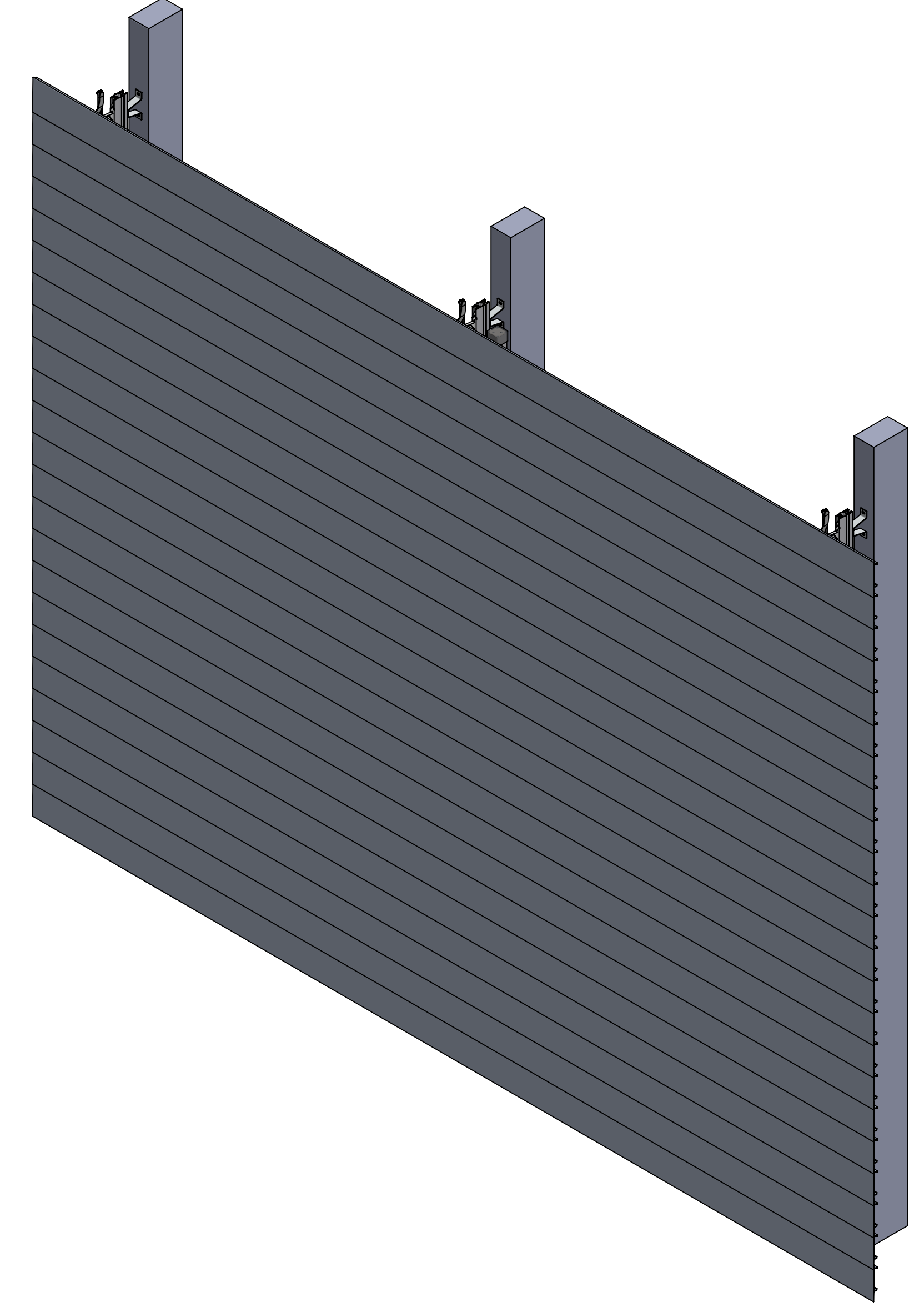
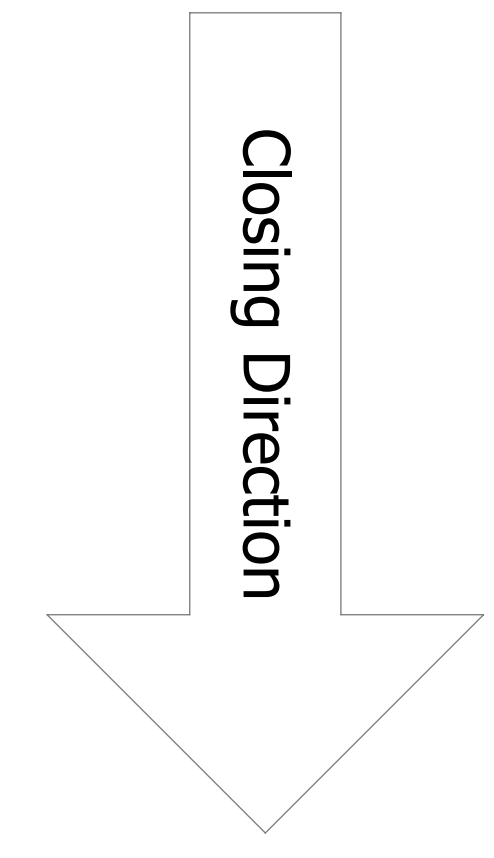
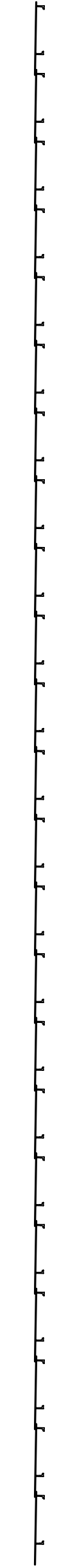
CUSTOMER	DATE	4-3-2021	RACK ARMS & PARTS	RAL 9005 F.Sfr. SD
DESCRIPTION	SCALE	1:10	LOUVERS	RAL 9005 F.Sfr. SD
PROJECT NR	ENGINEER	JM	PLASTIC PARTS	Black
DATE	QTY	1	Ext	210128-01-000
STATE	Approved			24 A0
REV	01			

SUNSHIELD
UNIQUE LOUVERS



FASTENERS FOR INSTALLATION EXCLUDED (third party)				FASTENERS FOR SYSTEM ASSEMBLY INCLUDED			
MATERIAL							
CUSTOMER	DATE	4-3-2021	RACK ARMS & PARTS	RAL 9005 F.Sfr. SD			
DESCRIPTION	SCALE	1:15	LOUVERS	RAL 9005 F.Sfr. SD			
PROJECT NR	ENGINEER	JM	PLASTIC PARTS	Black			
210128	QTY	1					
210128-01	STATE	Approved	150E	Ext	210128-01-000	3/4	A0
NI 4941 V1	REV	01					
RegioDorckshof							
The Netherlands							
www.regiodorckshof.nl							





FASTENERS FOR INSTALLATION EXCLUDED (third party)				FASTENERS FOR SYSTEM ASSEMBLY INCLUDED			
MATERIAL				RACK ARMS & PARTS			
CUSTOMER	DATE	4-3-2021		LOUVERS			
DESCRIPTION	SCALE	1:10		PLASTIC PARTS			
PROJECT NR	ENGINEER	JM					
210128	QTY	1					
210128-01-000	STATE	Approved					
NI 4941 V1	REV	01					
210128-01-000							
44							
A0							

