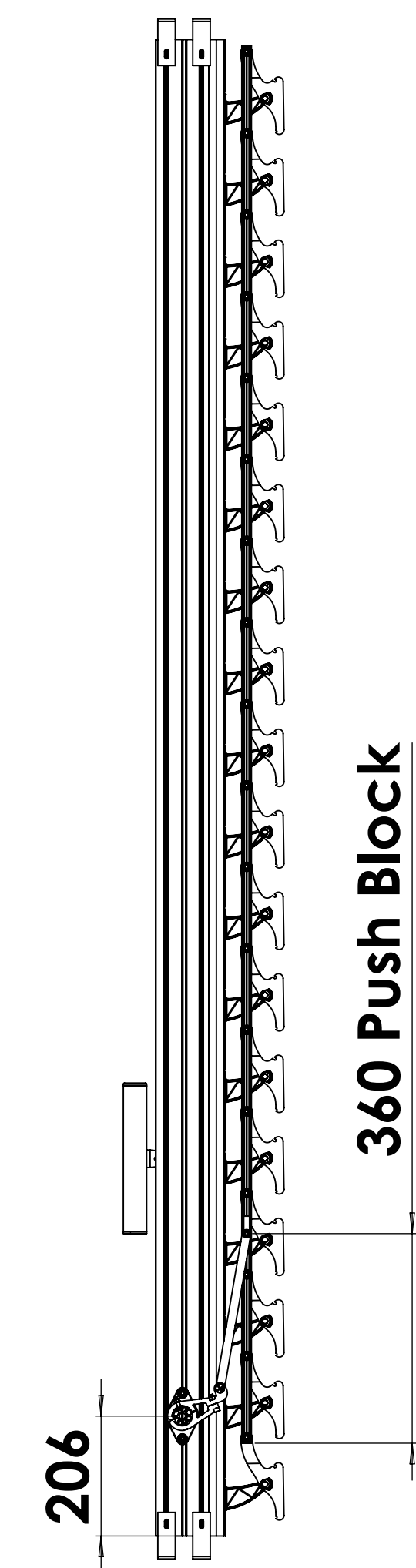
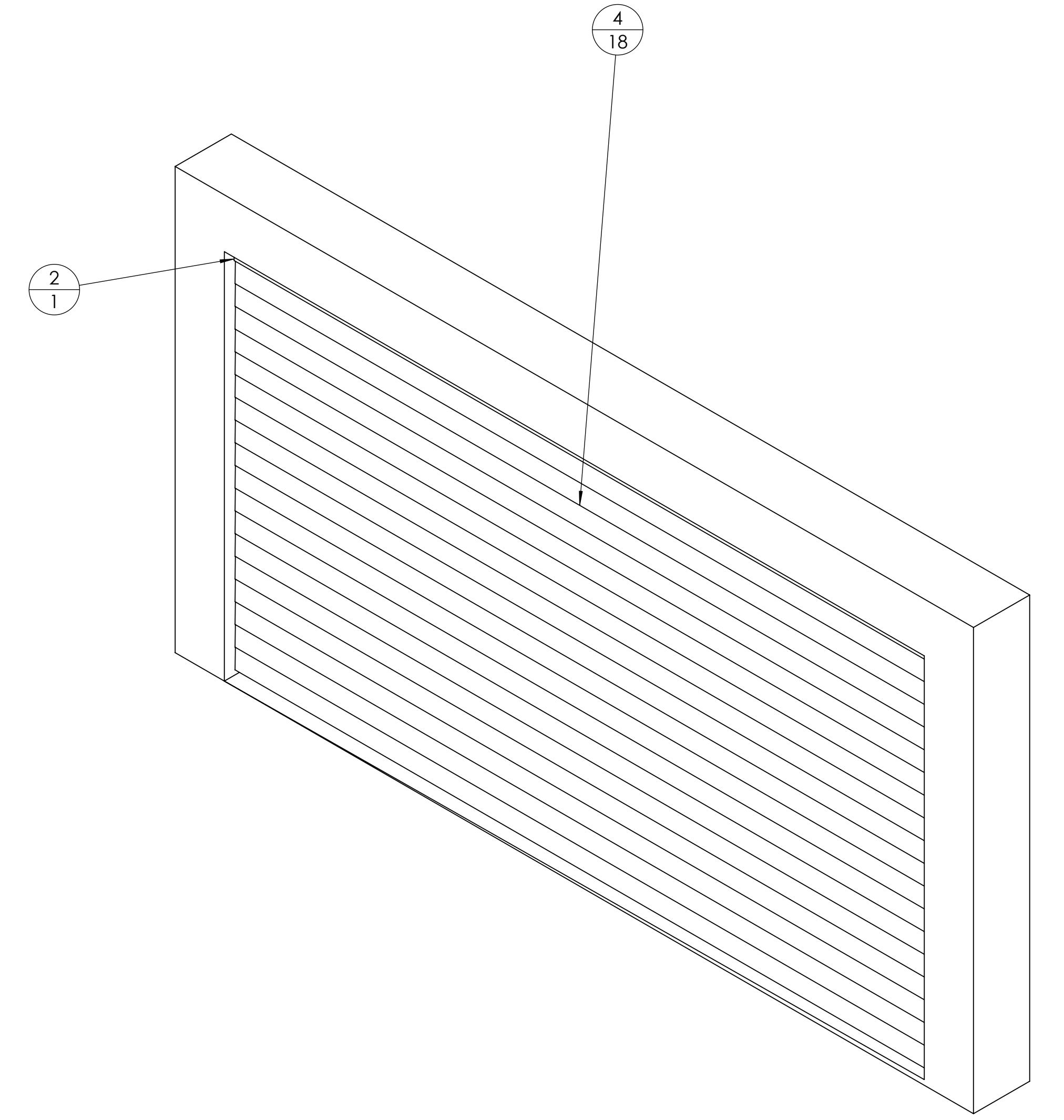
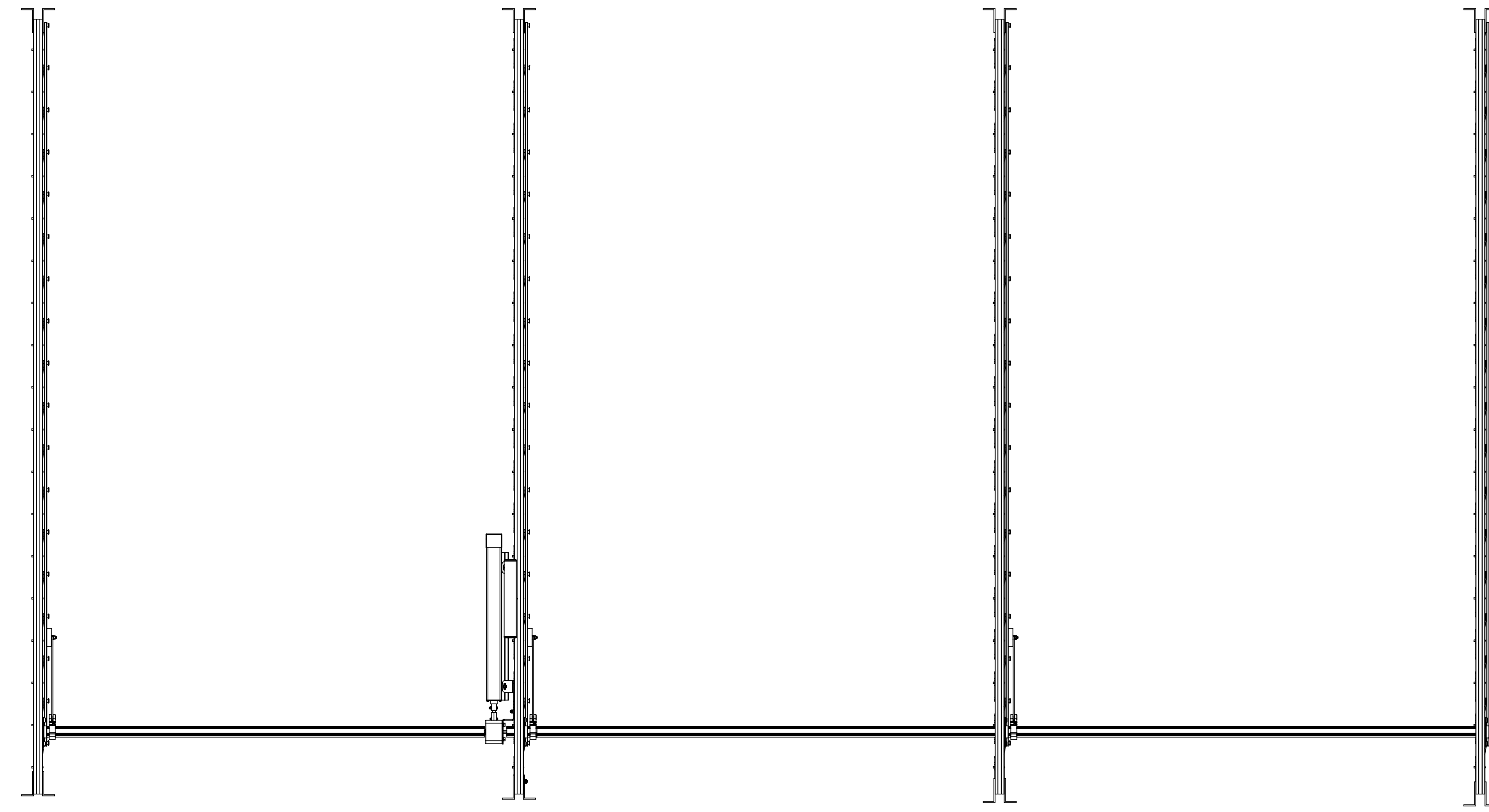
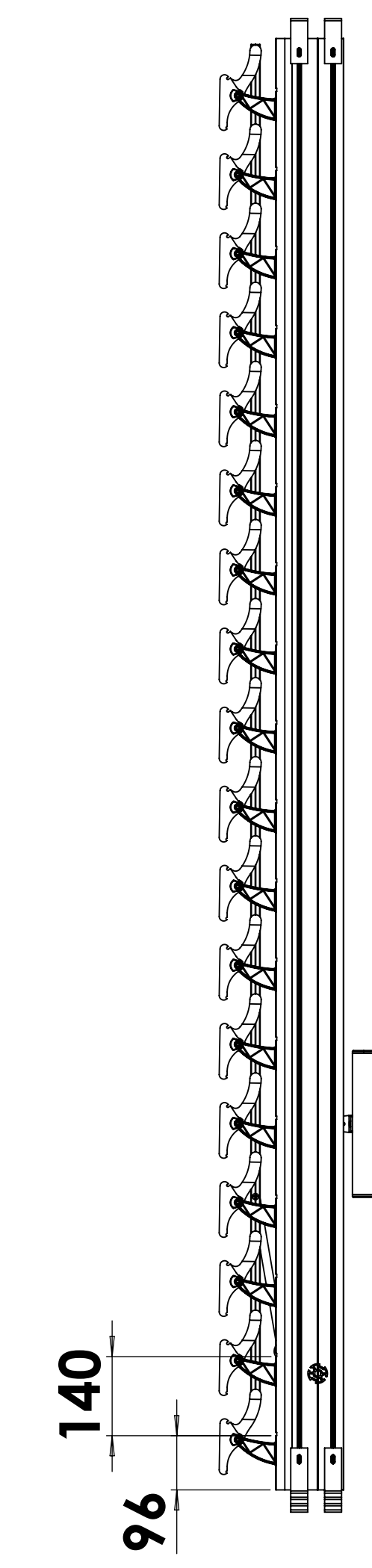
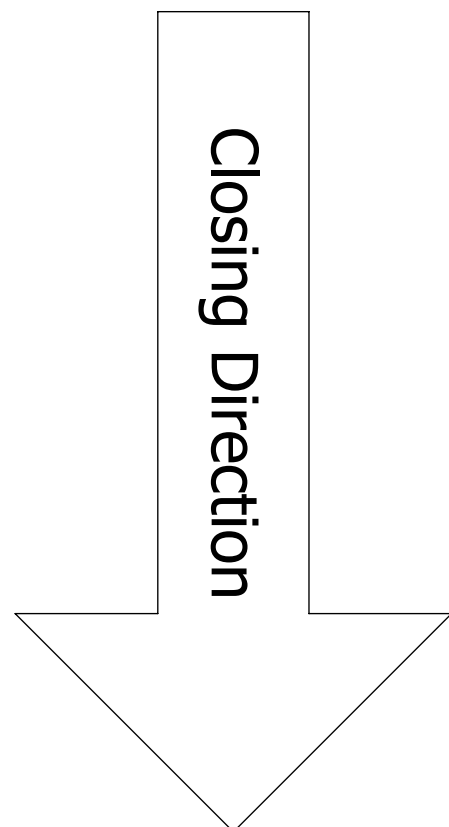
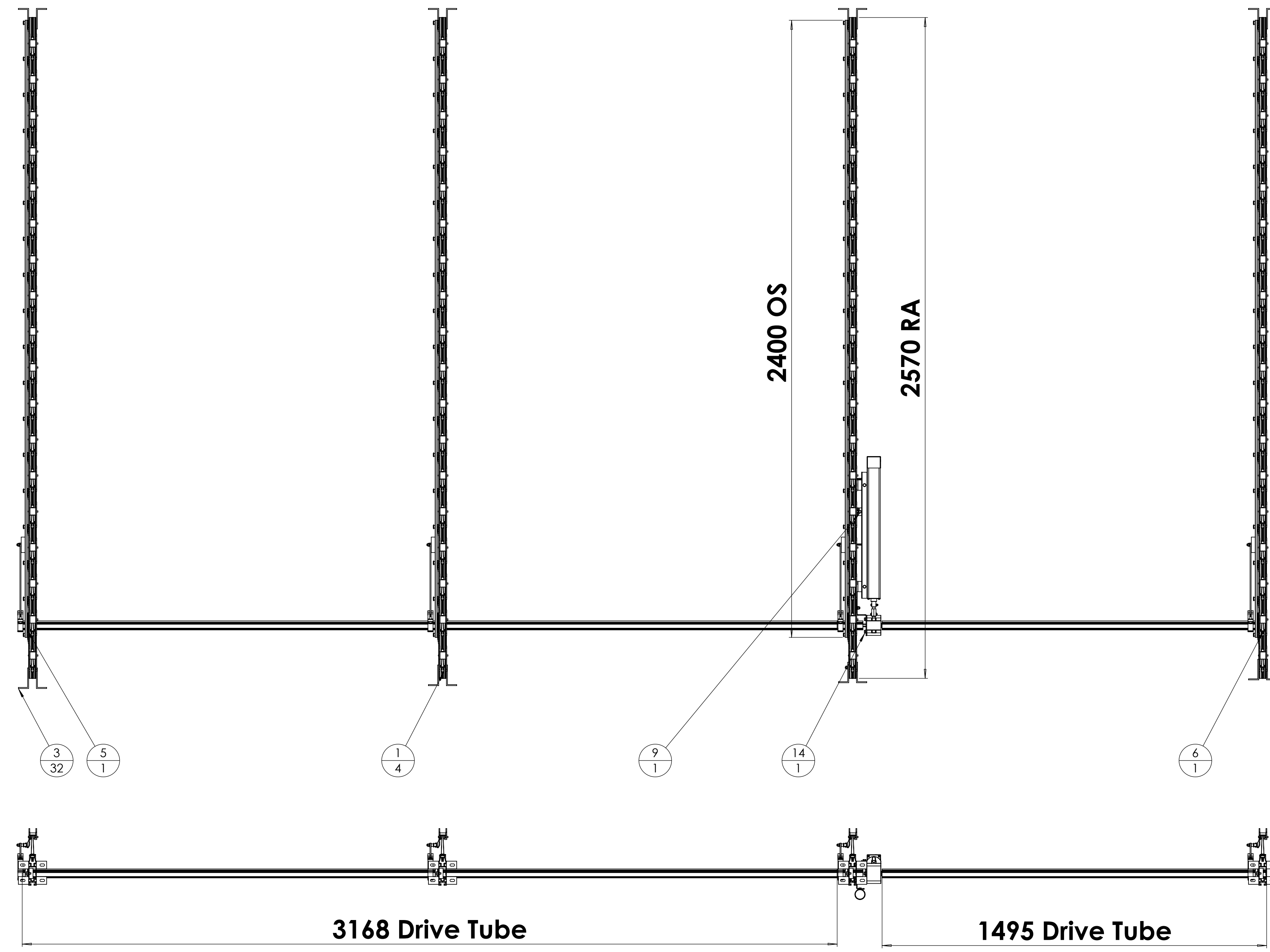


FASTENERS FOR INSTALLATION EXCLUDED (third party)				FASTENERS FOR SYSTEM ASSEMBLY INCLUDED			
MATERIAL							
CUSTOMER		DATE	19-1-2022	RACK ARMS & PARTS		RAL9005.30% 1.5sec	
DESCRIPTION		SCALE	1:15	LOUVERS		RAL9005.30% 2.5sec	
PROJECT NR	200511	ENGINEER	ED	PLASTIC PARTS		Black	
Quantity for		QTY	1	ISSUE		200511-01-000	1:4 A0
for assembly of		STATE	Approved	Ext			
for assembly of		REV	01				
for assembly of							
for assembly of							
for assembly of							
for assembly of							





360 Push Block

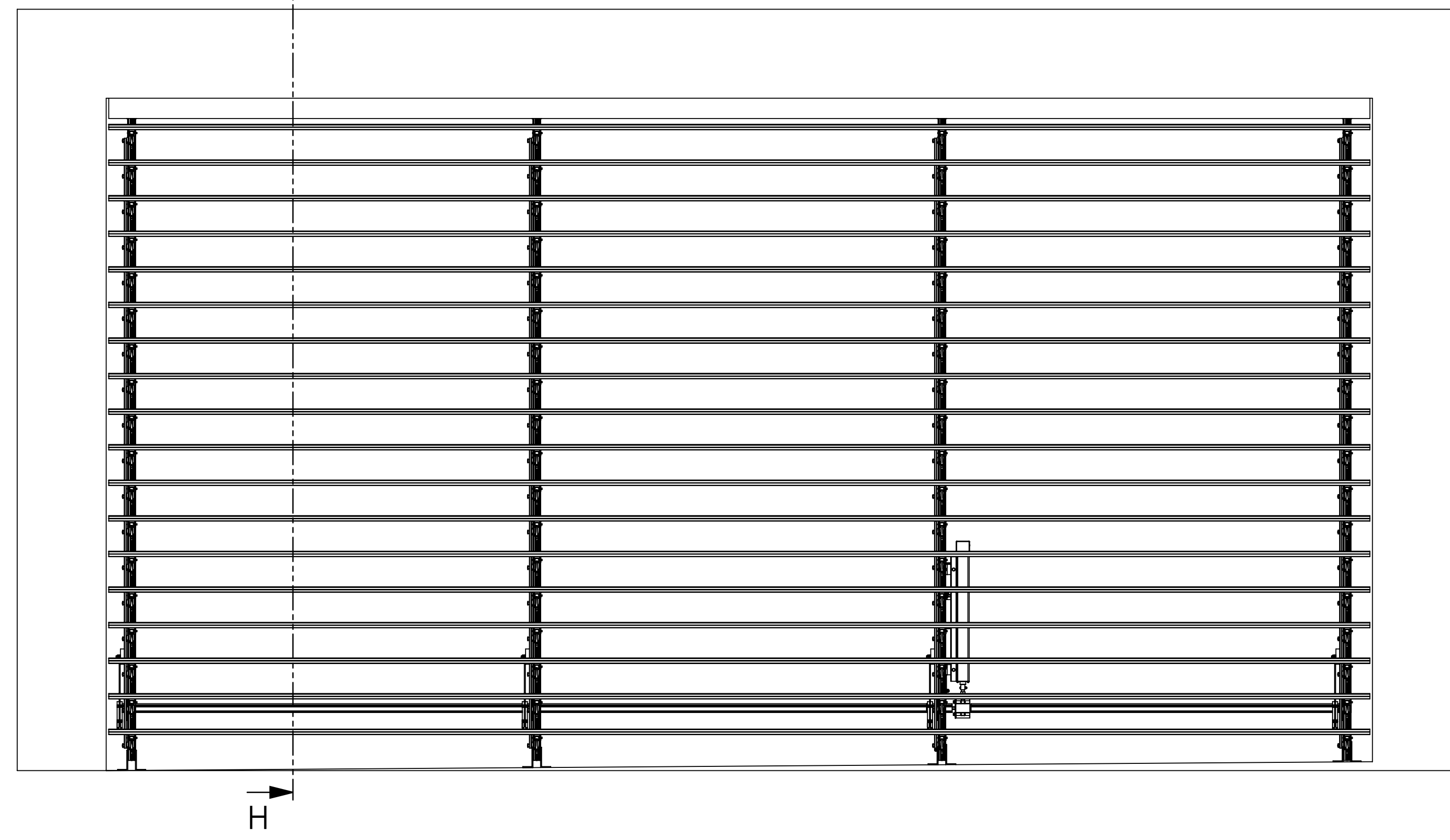
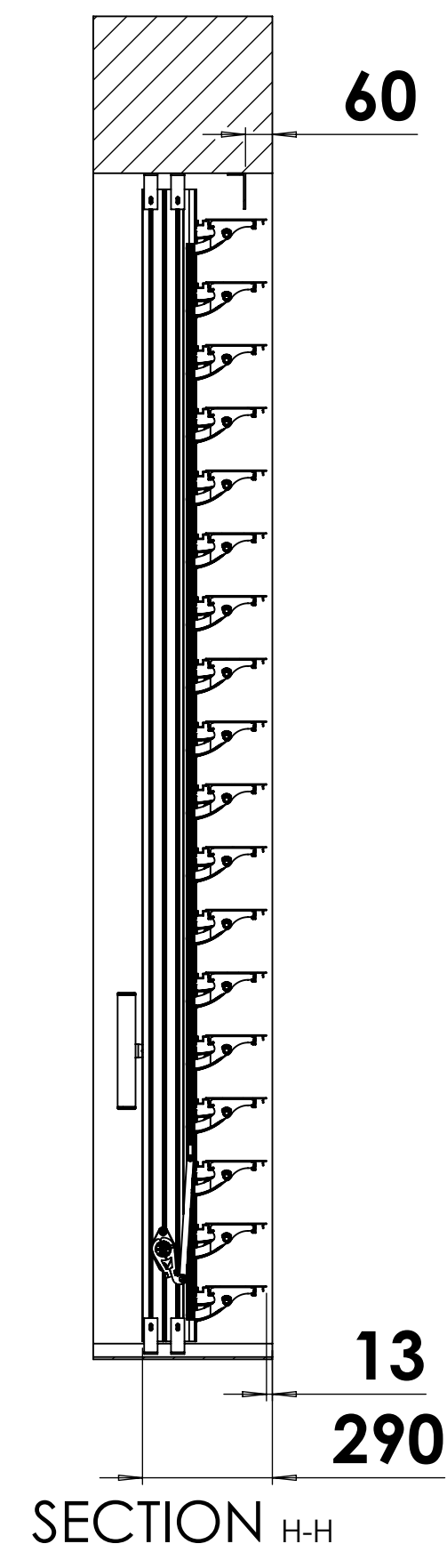


ITEM NO.	QTY.	SW-File Name (File Name)	DESCRIPTION	Comment 2
1	4	200511-01-100	Box Rack Arm 120 mm L-System, Pitch 140 mm (96)	L=2570 (96)
2	1	200511-01-301	Angle 80x40x4 mm, Mill.	2360 mm
3	32	200511-01-303	Angle Bracket 40x80x4, lg=30mm	L=30
4	18	200511-01-401	155E Louver	L=4962
5	1	200511-01-501	Drive tube 35 mm	L=3168
6	1	200511-01-502	Drive tube 35 mm	L=1495
7	1	28 102	Somfy LS40 VULCAN Motor 13/10/230V, 3m white cable	
8	1	28 933	Hirschmann Set STAK/STAS-3 (Stak/Stas/clamp)	
9	1	58 988	Stak/Stas Protecting Kit (incl. Tube, Plugs & Bracket) (lg=250mm)	
10	*32*	901	DIN 933 Hexagon Head Bolt M6x16	
11	*32*	908	DIN 125-1A Plain Washer M6	
12	*32*	910	DIN 934 Hexagon Nut M6	
13	*32*	911	DIN 6798-A Lock washer M6	
14	1	Motor kit L-system 120 mm Hardwired	Motor Kit 13:1 Hardwired RA 120 mm	

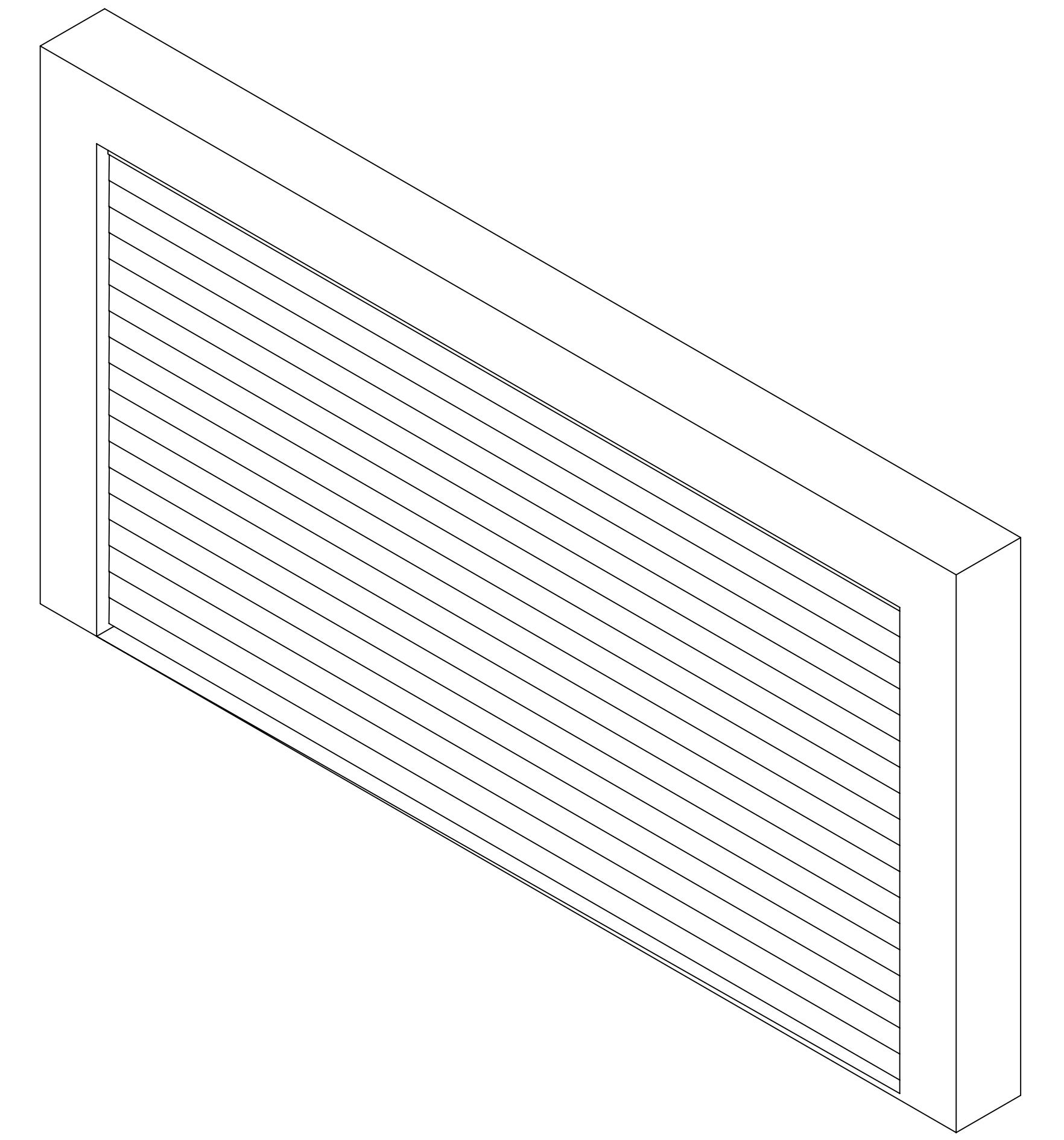
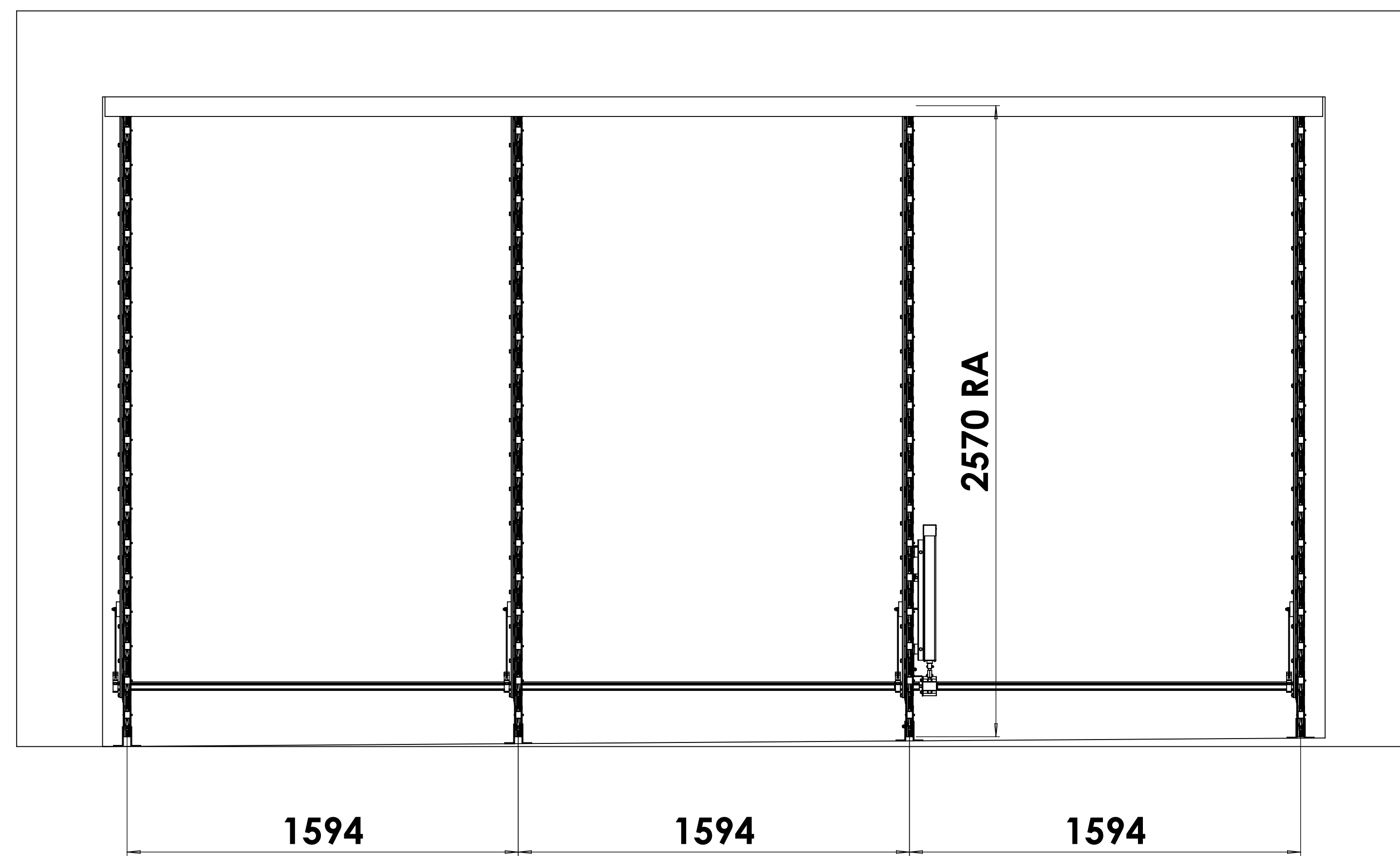
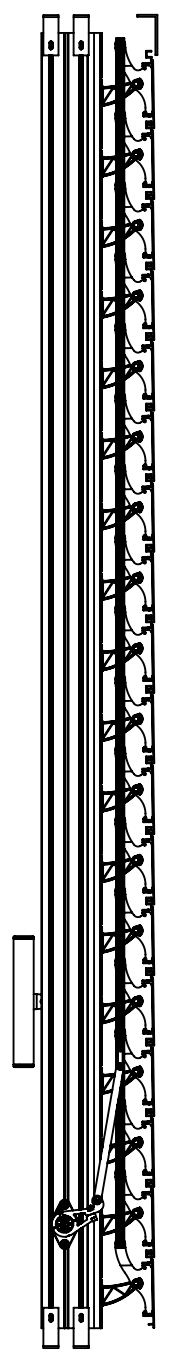
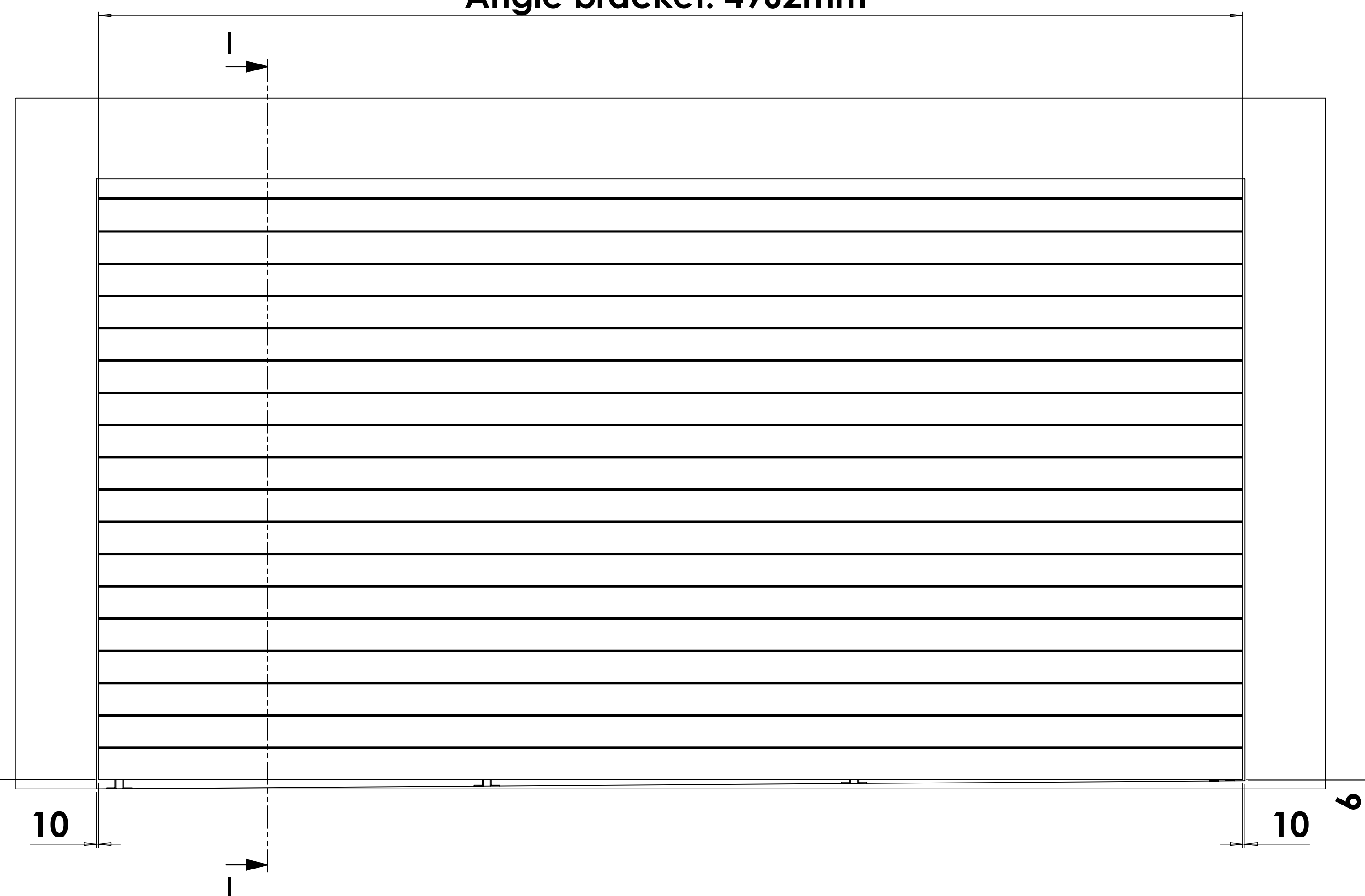
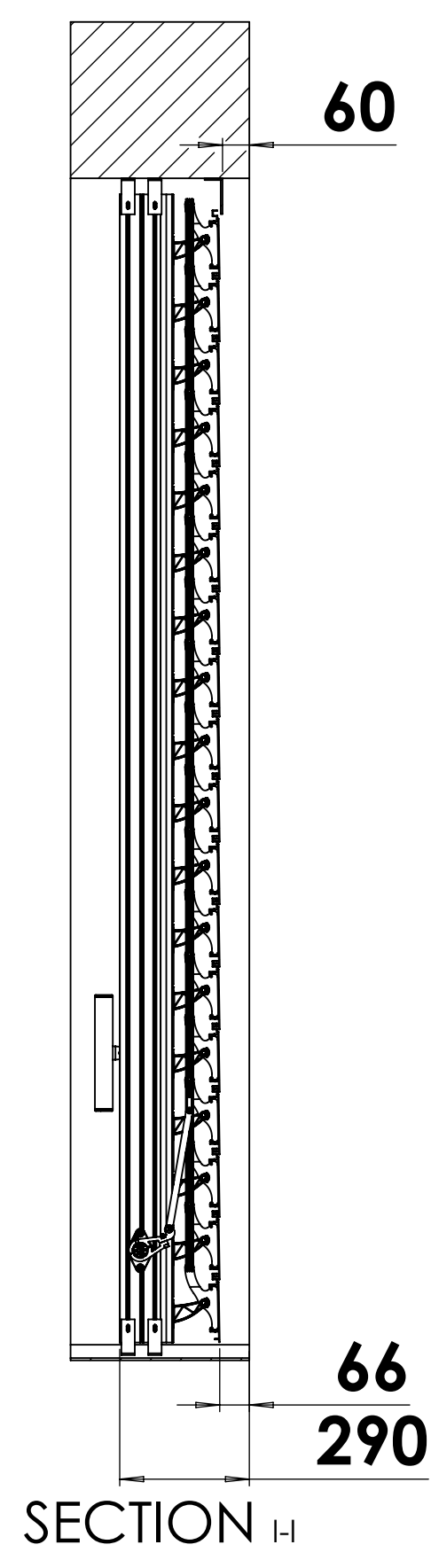
FASTENERS FOR INSTALLATION EXCLUDED (third party) FASTENERS FOR SYSTEM ASSEMBLY INCLUDED

CUSTOMER	DATE	19-1-2022	RACK ARMS & PARTS	RAL9005.30% 1xseal
DESCRIPTION	SCALE	1:10	LOUVERS	RAL9005.30% 2xseal
PROJECT NR	ENGINEER	ED	PLASTIC PARTS	Black
200511	1	Approved	ISSUE	Ext
200511-01-000	REV	01		

SUNSHIELD UNIQUE LOUVERS



Angle bracket: 4962mm



FASTENERS FOR INSTALLATION EXCLUDED (third party)				FASTENERS FOR SYSTEM ASSEMBLY INCLUDED			
MATERIAL							
CUSTOMER		DATE	19-1-2022	RACK ARMS & PARTS		RAL9005.30% 1x50x50	
DESCRIPTION		SCALE	1:15	LOUVERS		RAL9005.30% 2x50x50	
PROJECT NR	200511	ENGINEER	ED	PLASTIC PARTS		Black	
Customer's ref		QTY	1				
NL 4941 V1		STATE	Approved	ISSUE	Ext	200511-01-000	3/4 A0
Project/Order/Order ref		REV	01				



