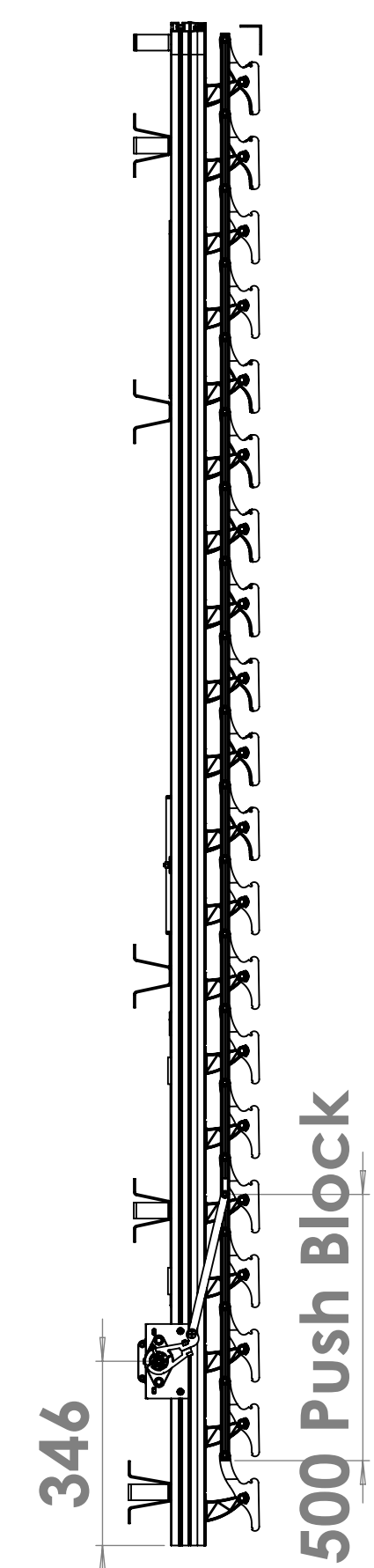


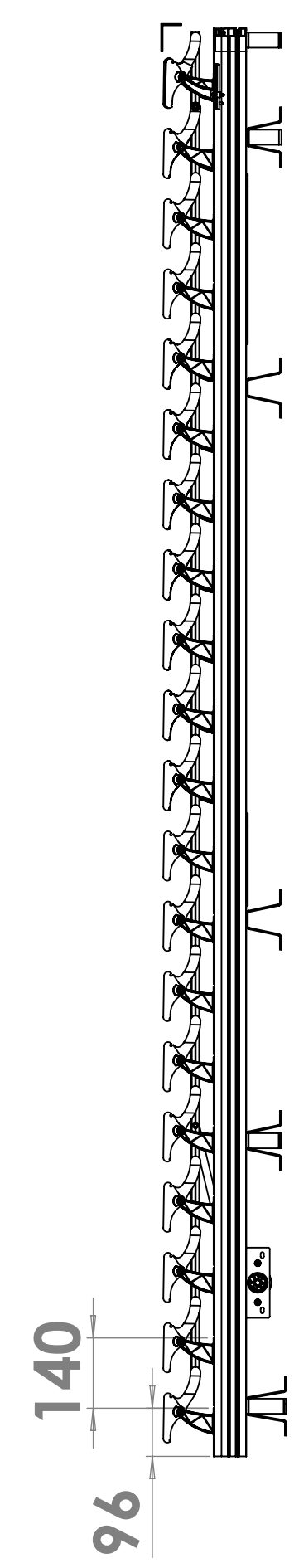
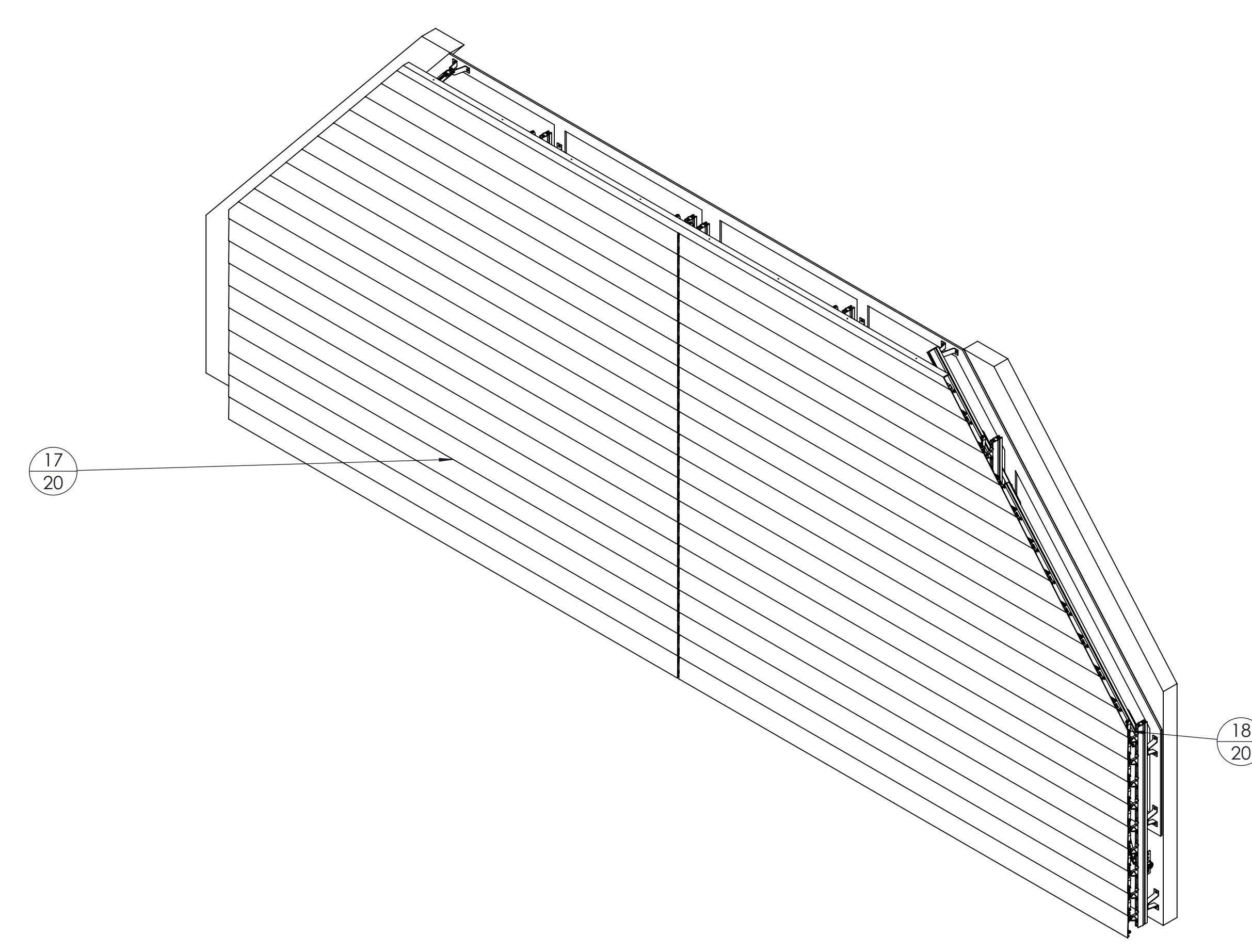
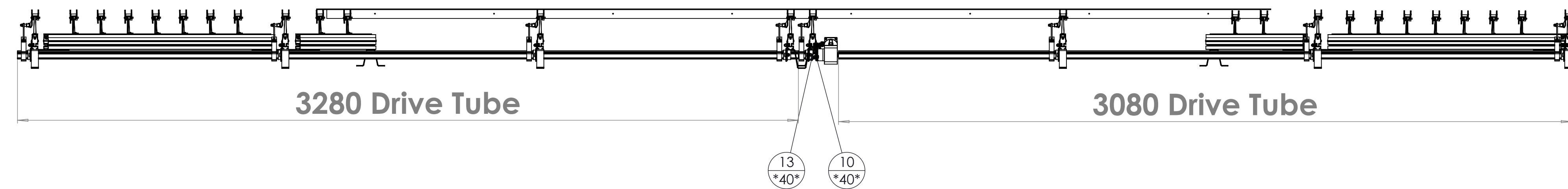
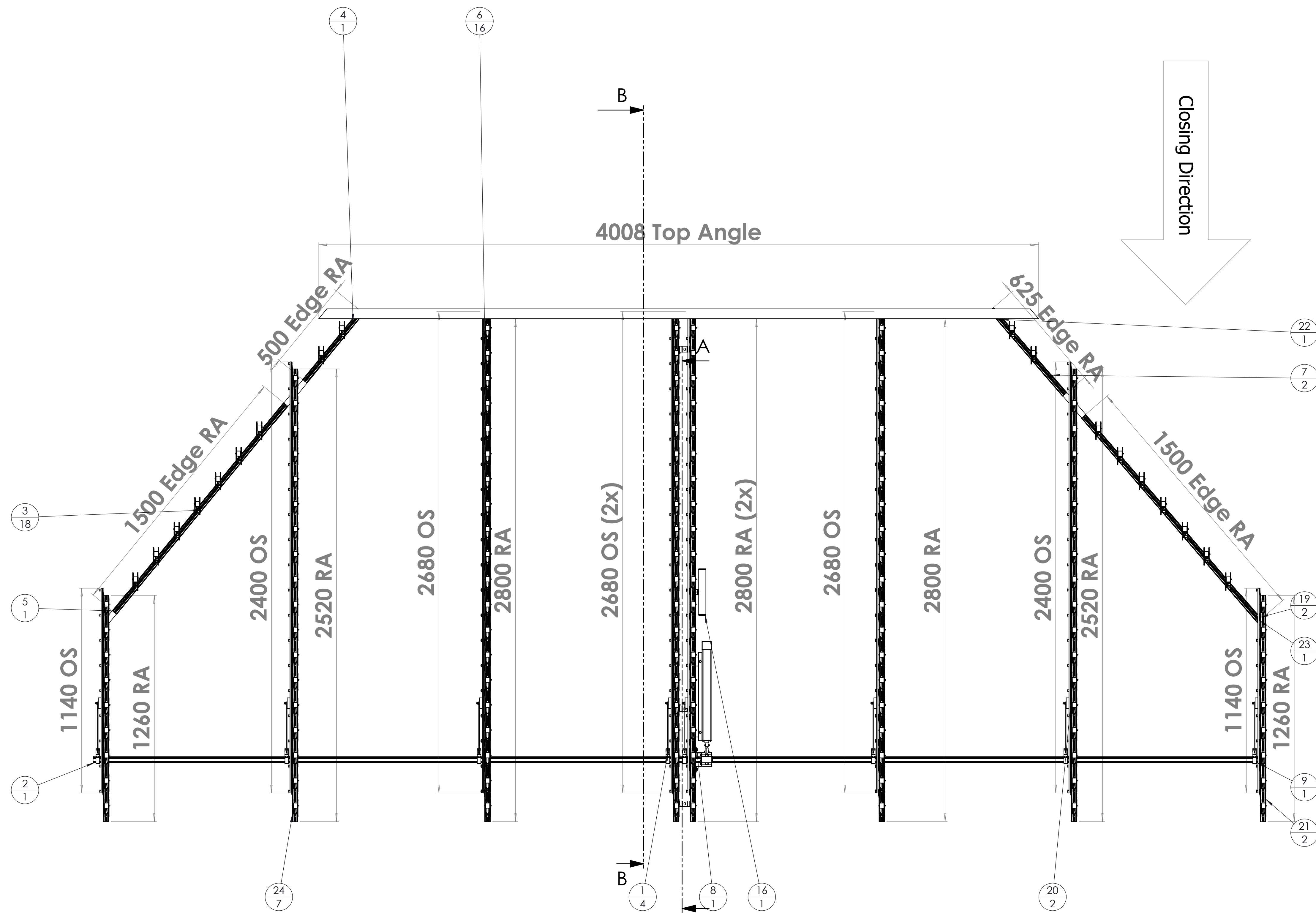
Achtergevel

FASTENERS FOR INSTALLATION EXCLUDED (third party)				FASTENERS FOR SYSTEM ASSEMBLY INCLUDED			
MATERIAL				RACK ARMS & PARTS	RAL 9011 F.Sfr. SD		
CUSTOMER	House Glizo	DATE	2-6-2021	LOUVERS	RAL 9011 F.Sfr. SD		
DESCRIPTION	House Glizo	SCALE	1:15	PLASTIC PARTS	Black		
PROJECT NR	201239	ENGINEER	JM				
Customer's ID		QTY	1	STATE	Approved	ISSUE	Ext
NL 4941 V1		REV	01			201239-01-000	1:4 A0
Roopendorkshier							
The Netherlands							





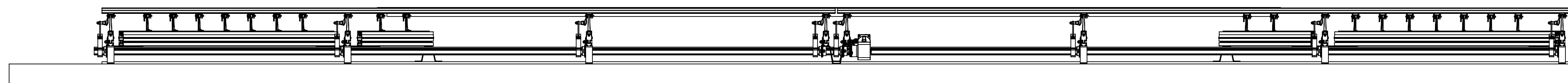
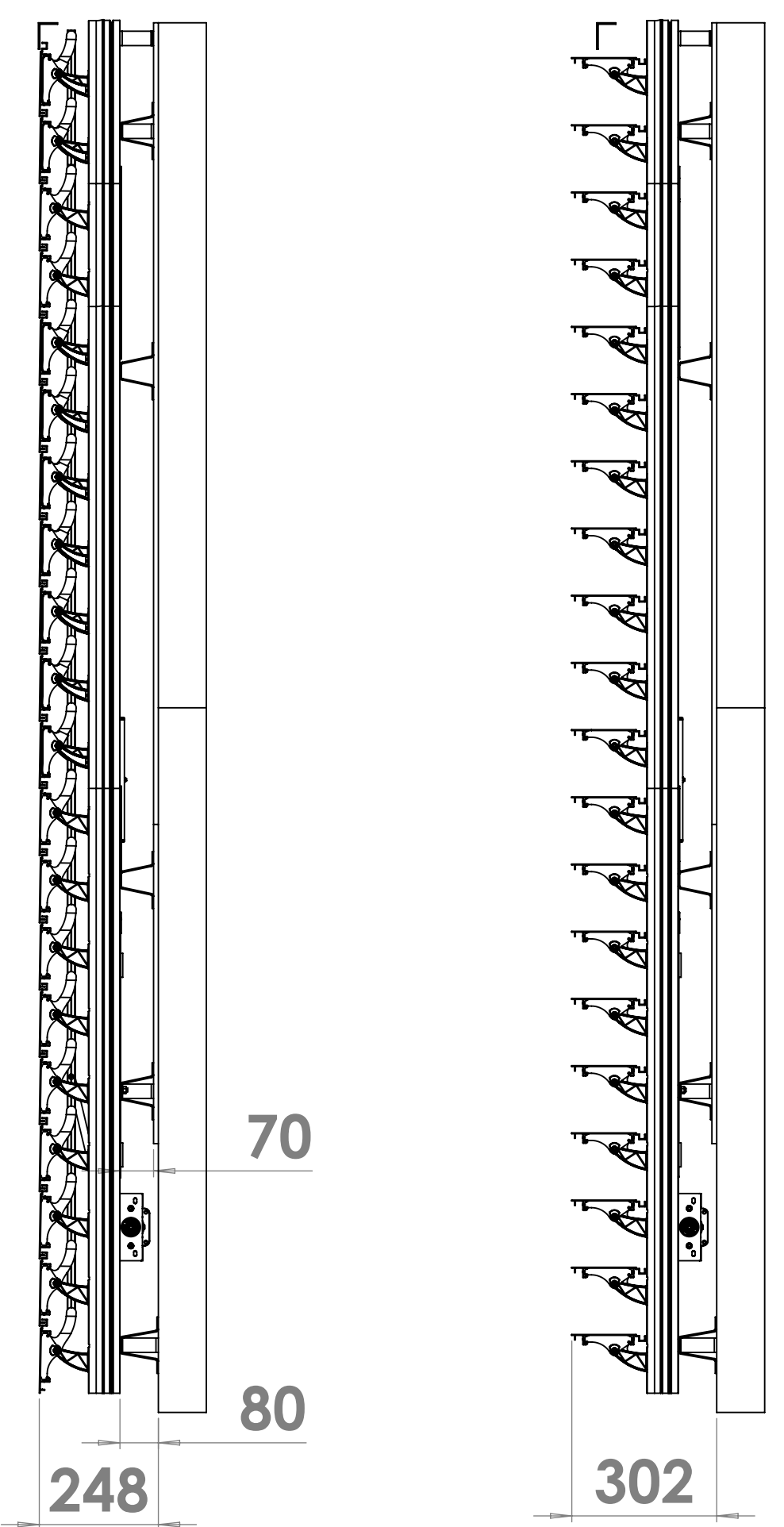
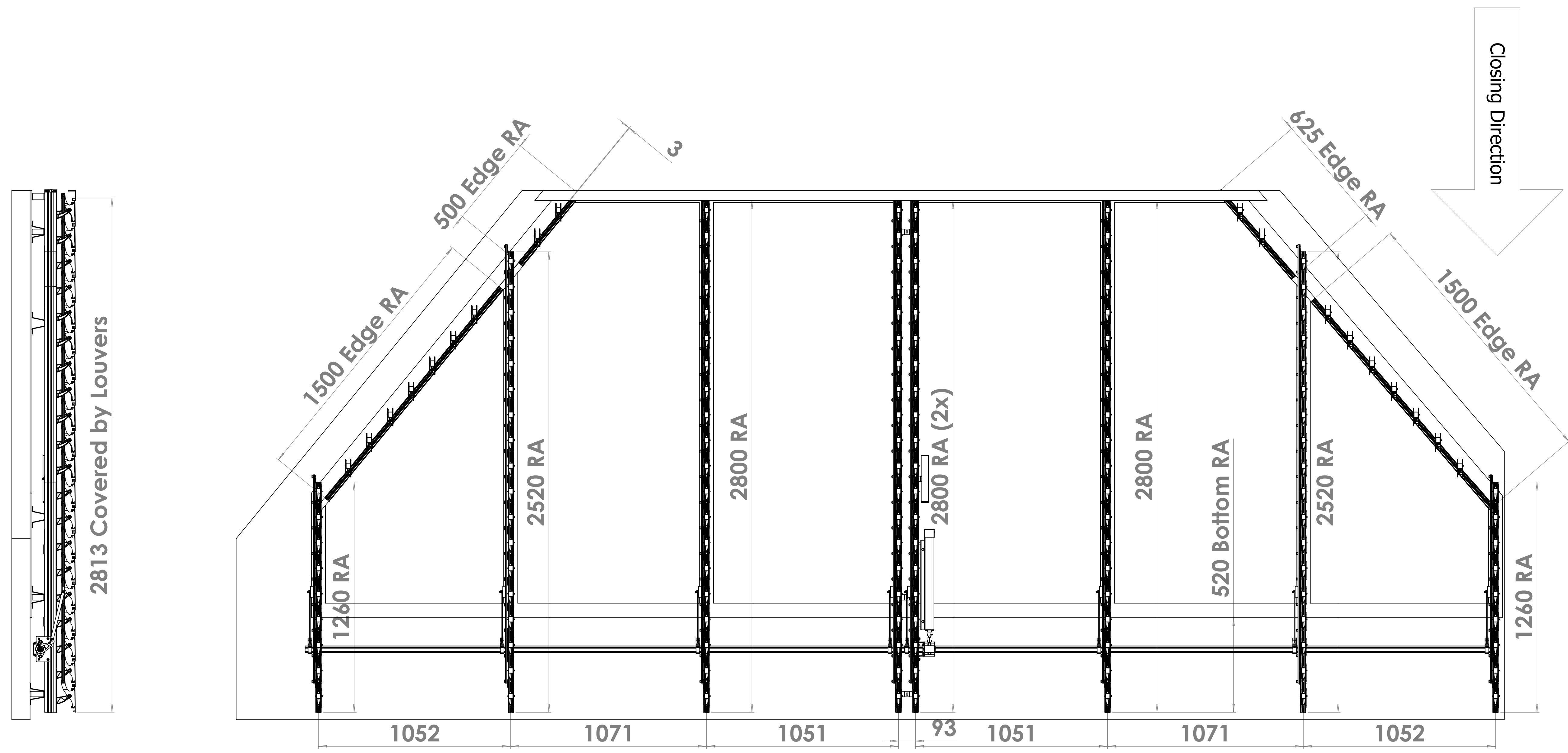
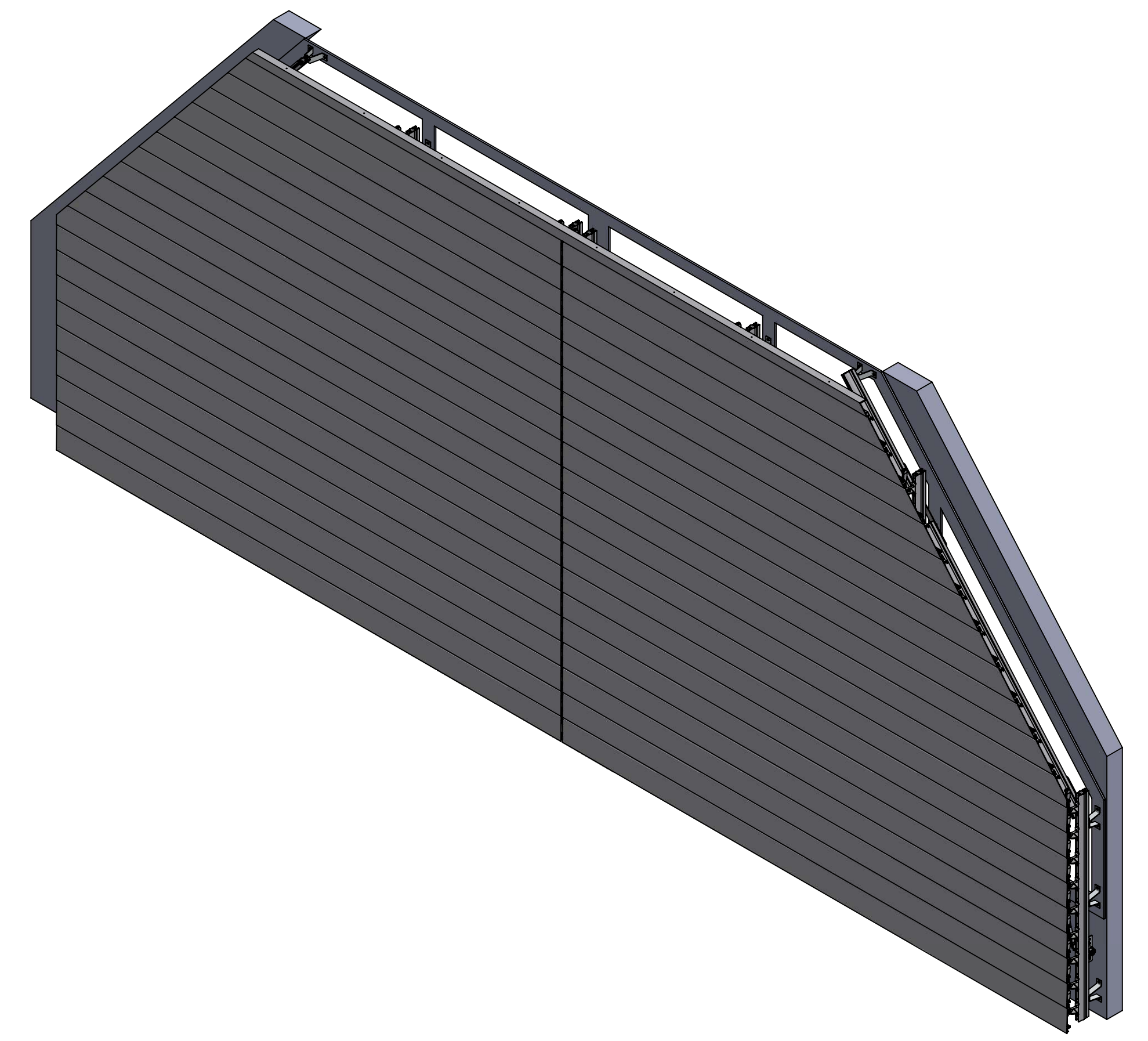
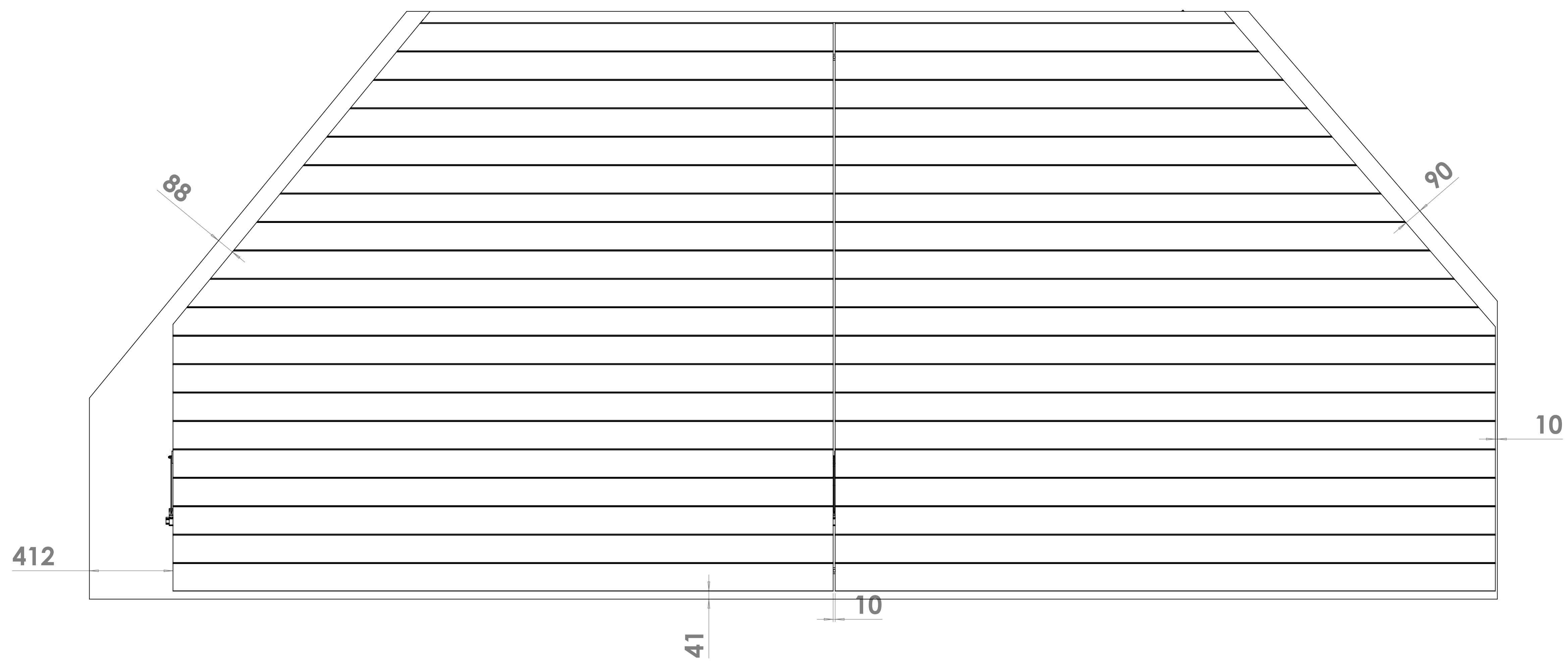
SECTION B-B



ITEM NO.	QTY.	SW-File Name (File Name)	DESCRIPTION	Comment 2
1	4	14 065 AS	Rack Arm 65 mm L-System, Pitch 140 mm (96)	L=2800 (96)
2	1	201239-01-501	Drive tube 35 mm	L=3280
3	18	45 361	Turnable pivot (kit), L-System (incl. Slatclip & screw)	
4	1	201239-01-202	Heavy Duty Edge Rack arm 65 mm	L=500
5	1	201239-01-203	Heavy Duty Edge Rack arm 65 mm	L=1500
6	16	14 620	Omega H-70-L, 28x68x31x68x28 x 3 mm, lg=30mm	L=30
7	2	58 928	Edge Rack Arm Connect-strip 5 holes for M8 (Center)	
8	1	45 813 11	Motor Kit 13:1 Hardwired	
9	1	201239-01-502	Drive tube 35 mm	L=3080
10	*40*	908	DIN 125-1A Plain Washer M8	
11	*40*	910	DIN 934 Hexagon Nut M8	
12	*40*	911	DIN 6798-A Lock washer M8	
13	*40*	934 08 20	Hammer Head Bolt M8x20 (Type 28/15)	
14	1	28 102	Somfy LS40 VULCAN Motor 13/10/230V, 3m white cable	
15	1	28 933	Hirschmann Set STAK/STAS-3 (Stak/Stas/clamp)	
16	1	58 988	Stak/Stas Protecting Kit (incl. Tube, Plugs & Bracket) (lg=230mm)	
17	20	201239-01-403	155E Louver	L=3254
18	20	201239-01-404	155E Louver	L=3254
19	2	14 603	Edge Rack Arm Connect-strip 3 holes for M8 (L/R)	
20	2	14 065 AS	Rack Arm 65 mm L-System, Pitch 140 mm (96)	L=2520 (96)
21	2	14 065 AS	Rack Arm 65 mm L-System, Pitch 140 mm (96)	L=1260 (96)
22	1	201239-01-204	Heavy Duty Edge Rack arm 65 mm	L=625
23	1	201239-01-205	Heavy Duty Edge Rack arm 65 mm	L=1500
24	7	14 621	Omega H-80-L, 28x79x31x79x28 x 3 mm, lg=30mm	L=30
25	1	201239-01-301	Angle 55x40x3 mm, Mill,	L=4008 ⁰¹

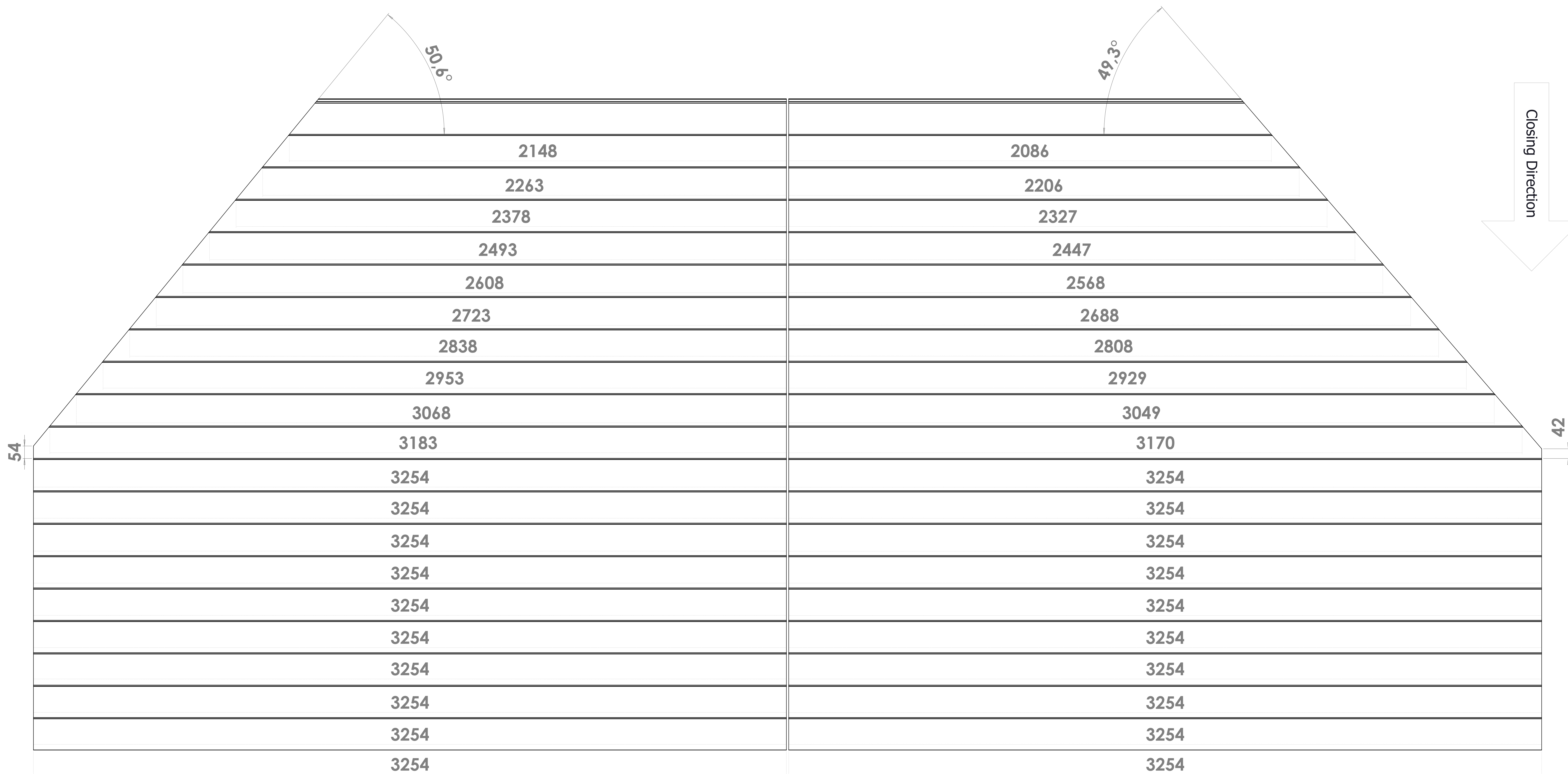
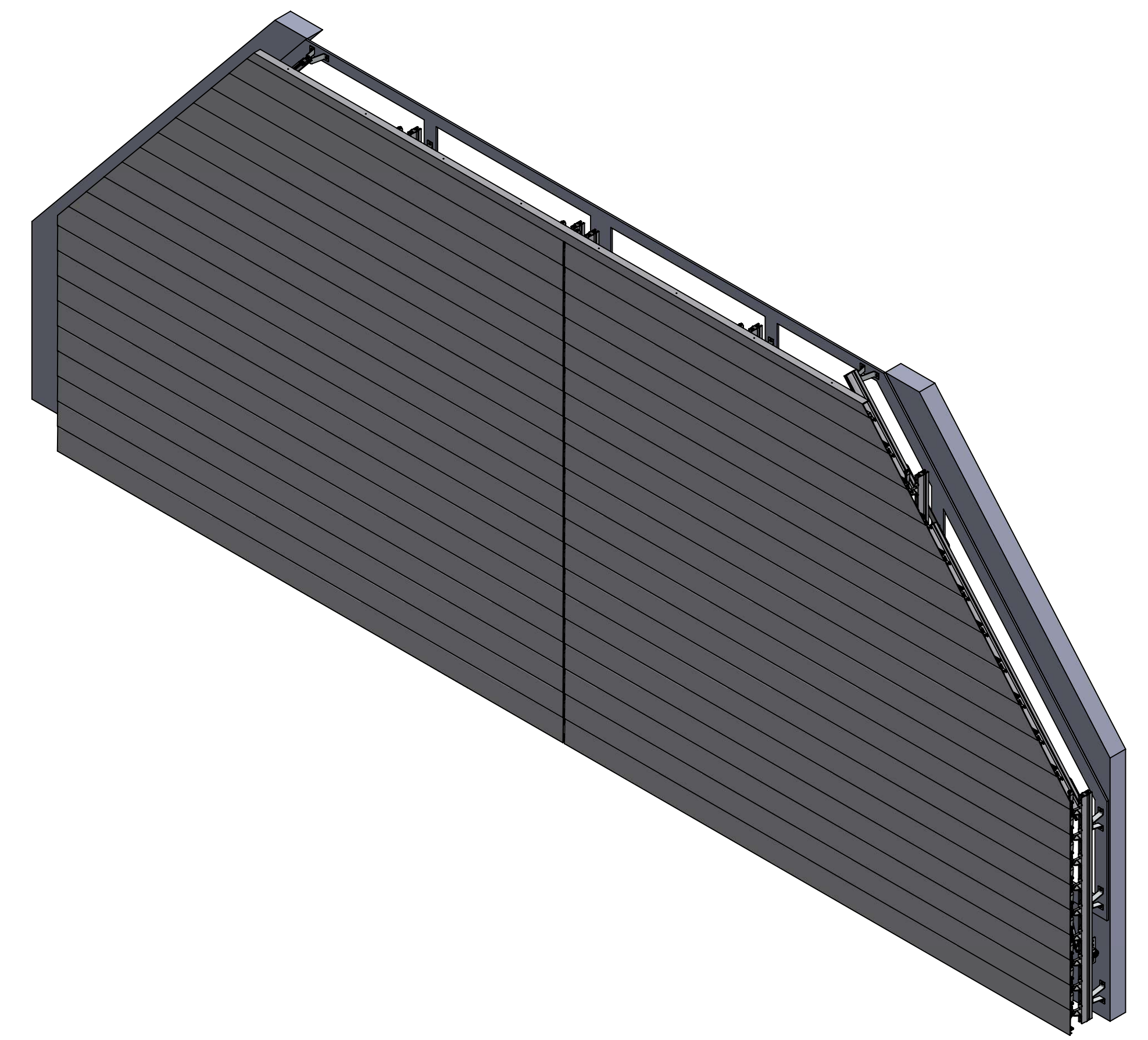
FASTENERS FOR INSTALLATION EXCLUDED (third party)				FASTENERS FOR SYSTEM ASSEMBLY INCLUDED			
CUSTOMER	House Glize	DATE	2-6-2021	RACK ARMS & PARTS	RAL 9011 F.Slr. SD		
DESCRIPTION	201239	SCALE	1:12.5	LOUVERS	RAL 9011 F.Slr. SD		
PROJECT NR	201239	ENGINEER	JM	PLASTIC PARTS	Black		
Drawn by	DL 4941 VL	QTY	1	155E	Ext	201239-01-000	24 A0
Approved by		REV	01	Approved			





FASTENERS FOR INSTALLATION EXCLUDED (third party)				FASTENERS FOR SYSTEM ASSEMBLY INCLUDED			
MATERIAL				RACK ARMS & PARTS	RAL 9011 F.Sfr. SD		
CUSTOMER	House Glitz	DATE	2-6-2021	LOUVERS	RAL 9011 F.Sfr. SD		
DESCRIPTION	House Glitz	SCALE	1:12.5	PLASTIC PARTS	Black		
PROJECT NR	201239	ENGINEER	JM				
ISSUED FOR	See drawing for details	QTY	1				
NL 4941 V1	See drawing for details	STATE	Approved				
RapidoOrdnoriver	See drawing for details	REV	01				
The Netherlands	See drawing for details			155E	Ext	201239-01-000	3/4 A0





Closing Direction

FASTENERS FOR INSTALLATION EXCLUDED (third party)				FASTENERS FOR SYSTEM ASSEMBLY INCLUDED			
MATERIAL				RACK ARMS & PARTS			
CUSTOMER	House Glizo	DATE	2-6-2021	RAL 9011 F.Sfr. SD			
DESCRIPTION	LOUVERS	SCALE	1:7.5	RAL 9011 F.Sfr. SD			
PROJECT NR	201239	ENGINEER	JM	PLASTIC PARTS			
Quantity	1	QTY	1	ISSUE	Ext	201239-01-000	44 A0
State	Approved	STATE	Approved	REV	01		

