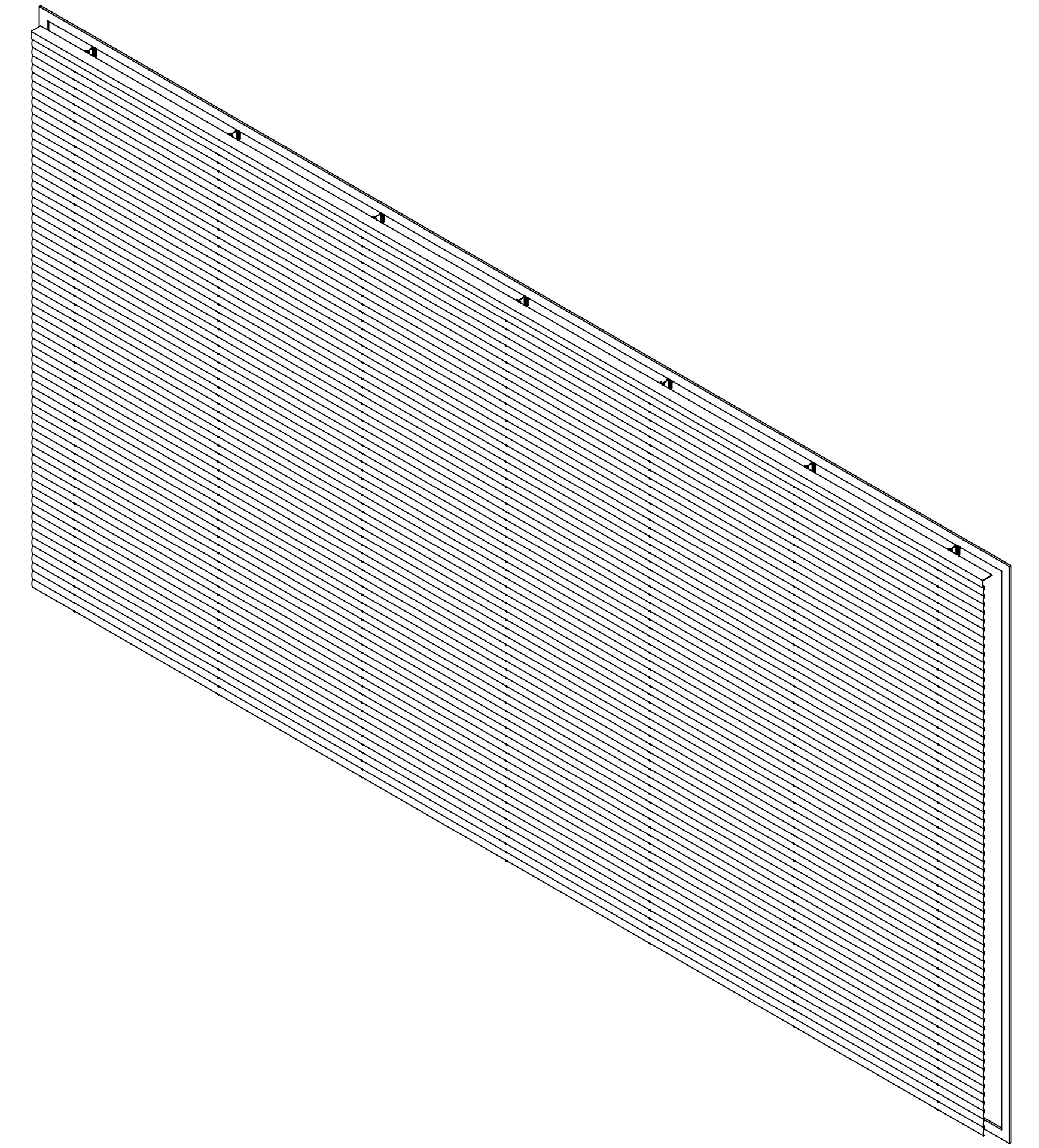


Window Frame with Brackets



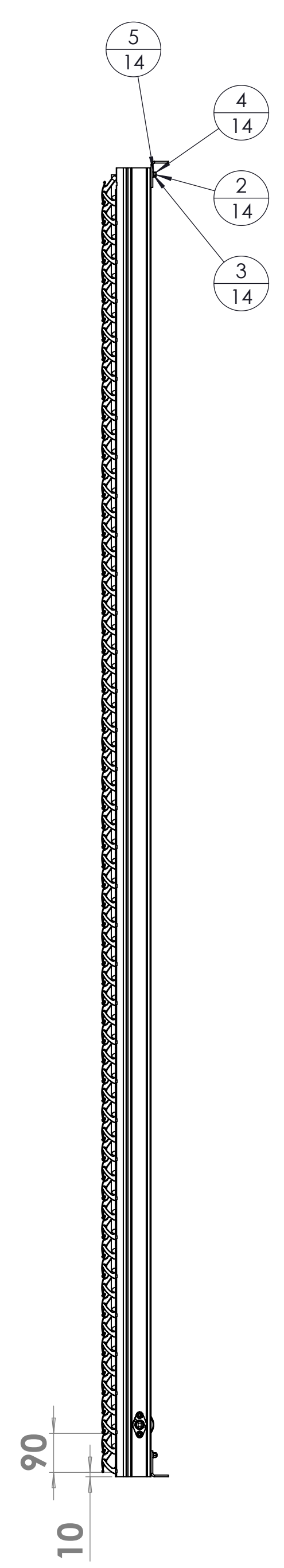
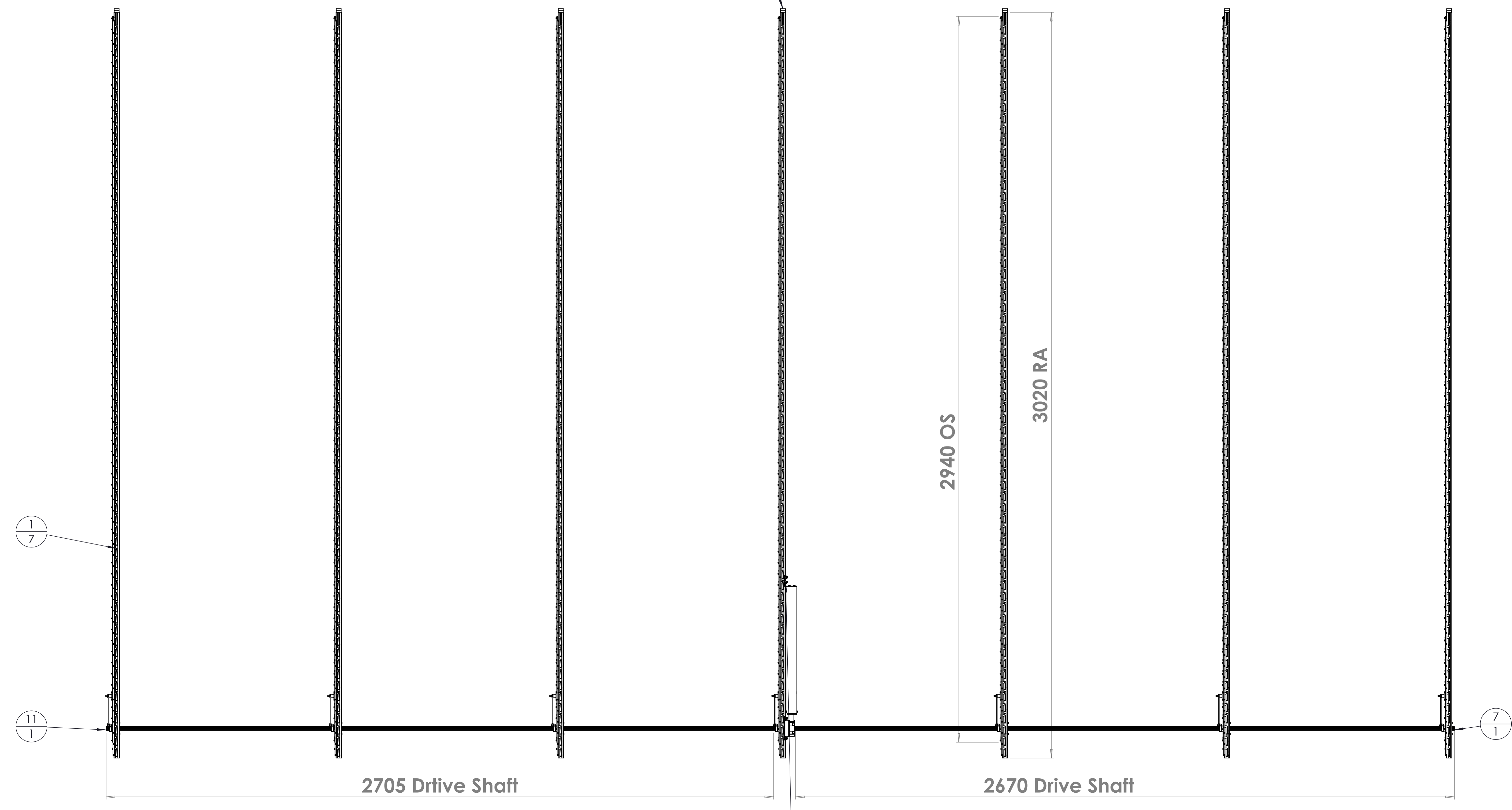
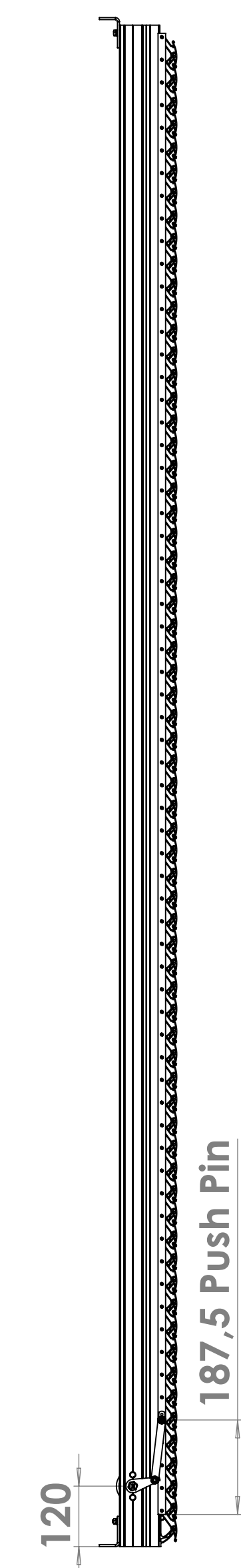
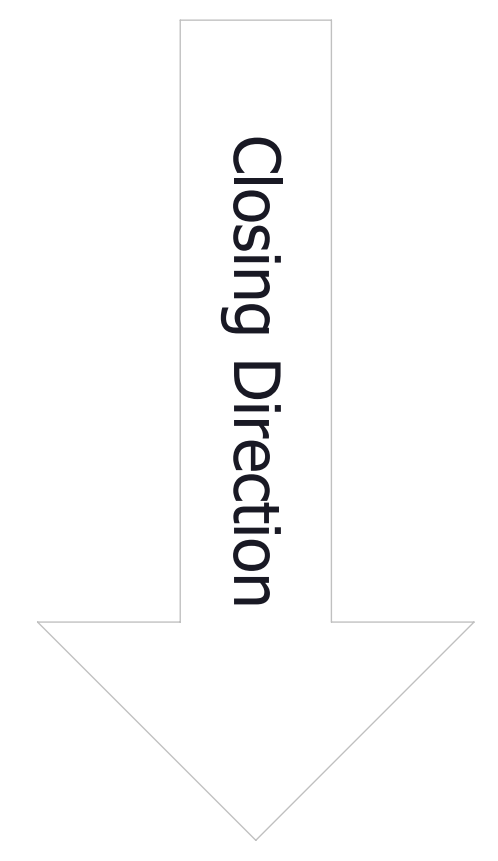
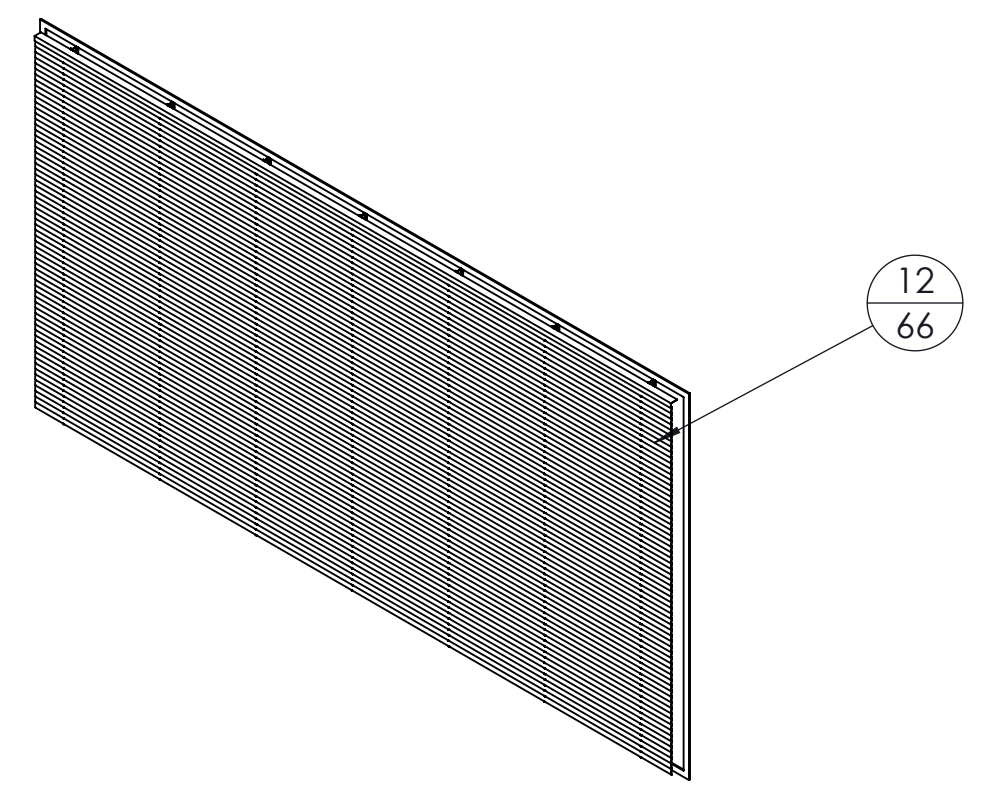
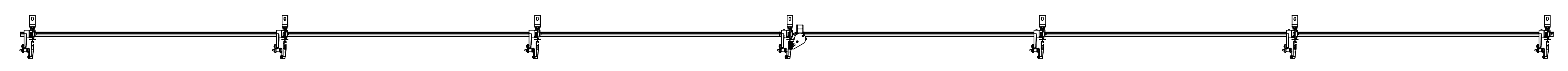
**ATTENTION**

3.5x1.5 lock hole  
3mm

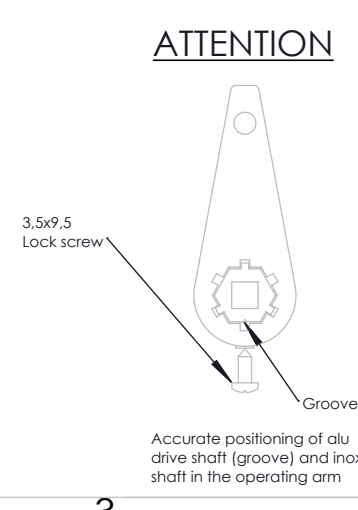
Accurate positioning of the hole is essential for proper assembly. Please refer to the technical drawing for the correct hole position.

FASTENERS FOR INSTALLATION EXCLUDED (third party)		FASTENERS FOR SYSTEM ASSEMBLY INCLUDED	
MATERIAL		RACK ARMS & PARTS	Not. Ano
CUSTOMER		LOUVERS	RAL 7035
DESCRIPTION		PLASTIC PARTS	Light Grey
PROJECT NR	2102063	ENGINEER	JM
DATE	9-6-2021	SCALE	1:10
QUANTITY	2	STATE	Waiting for Approval
REVISION	A	DATE	
PROJECT NR	2102063-2-B-V2-000	SCALE	1:4
DESCRIPTION	FASTENERS FOR SYSTEM ASSEMBLY INCLUDED	DATE	

**SUNSHIELD**  
UNIQUE LOUVERS



ITEM NO.	QTY.	SW-File Name(File Name)	DESCRIPTION	Comment 2
1	7	2102063-2-B-V1-100	Heavy Duty Rack Arm, 80 mm, Pitch 90 mm (10) Assembled	L=3020; Pitch 90 (10)
2	14	901	DIN 933 Hexagon Head Bolt M6x16	
3	14	908	DIN 125-1A Plain Washer M6	
4	14	910	DIN 934 Hexagon Nut M6	
5	14	911	DIN 6798-A Lock washer M6	
6	14	2102063-1-B-V1-302	Angle bracket 60x40x4 mm, lg=20mm (part only)	L=20
7	1	2102063-1-B-V1-501	Drive Shaft	L=2670
8	4	939	DIN 7981 Panhead screw 3,5 x 9,5	
9	1	58 992 99 11	Interior Motor kit for 6:1 Hard Wired	L=515 (Motor Tube)
10	1	28 102	Somfy LS40 VULCAN Motor 13/10/230V, 3m white cable	
11	1	2102063-1-B-V1-502	Drive Shaft	L=2705
12	66	2102063-2-B-V2-401	Louver 50A	L=5951
13	1	2102063-2-B-V2-301	Angle 40x60x3 mm, Mill,	L=5951 <sup>A</sup>



FASTENERS FOR INSTALLATION EXCLUDED (third party) FASTENERS FOR SYSTEM ASSEMBLY INCLUDED

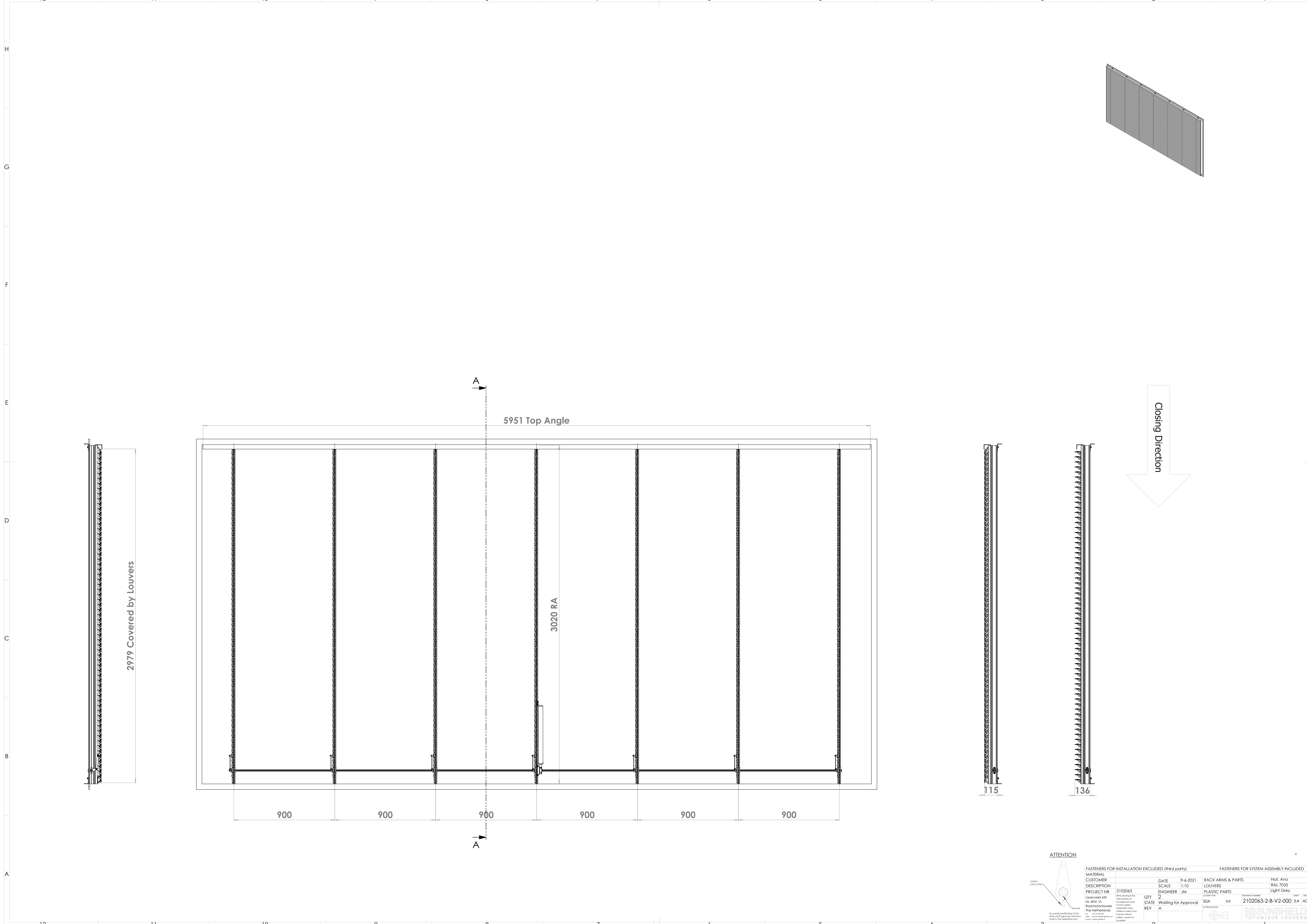
CUSTOMER	DATE	9-6-2021	RACK ARMS & PARTS	Not. Ano
DESCRIPTION	SCALE	1:10	LOUVERS	RAL 7035
PROJECT NR	ENGINEER	JM	PLASTIC PARTS	Light Grey
VERSIONS	QTY	2	STATE	Waiting for Approval
REV	REV	A	INT	2102063-2-B-V2-000 24 A0

3,5x9,5 Lock screw

ATTENTION

Accurate positioning of the drive shaft (directional arrow) is essential for correct operation.

**SUNSHIELD**  
UNIQUE LOUVERS



2979 Covered by Louvers

5951 Top Angle

3020 RA

Closing Direction

115

136

900

900

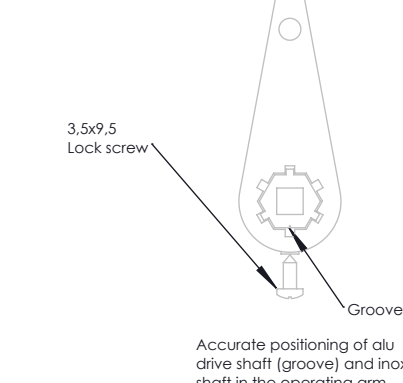
900

900

900

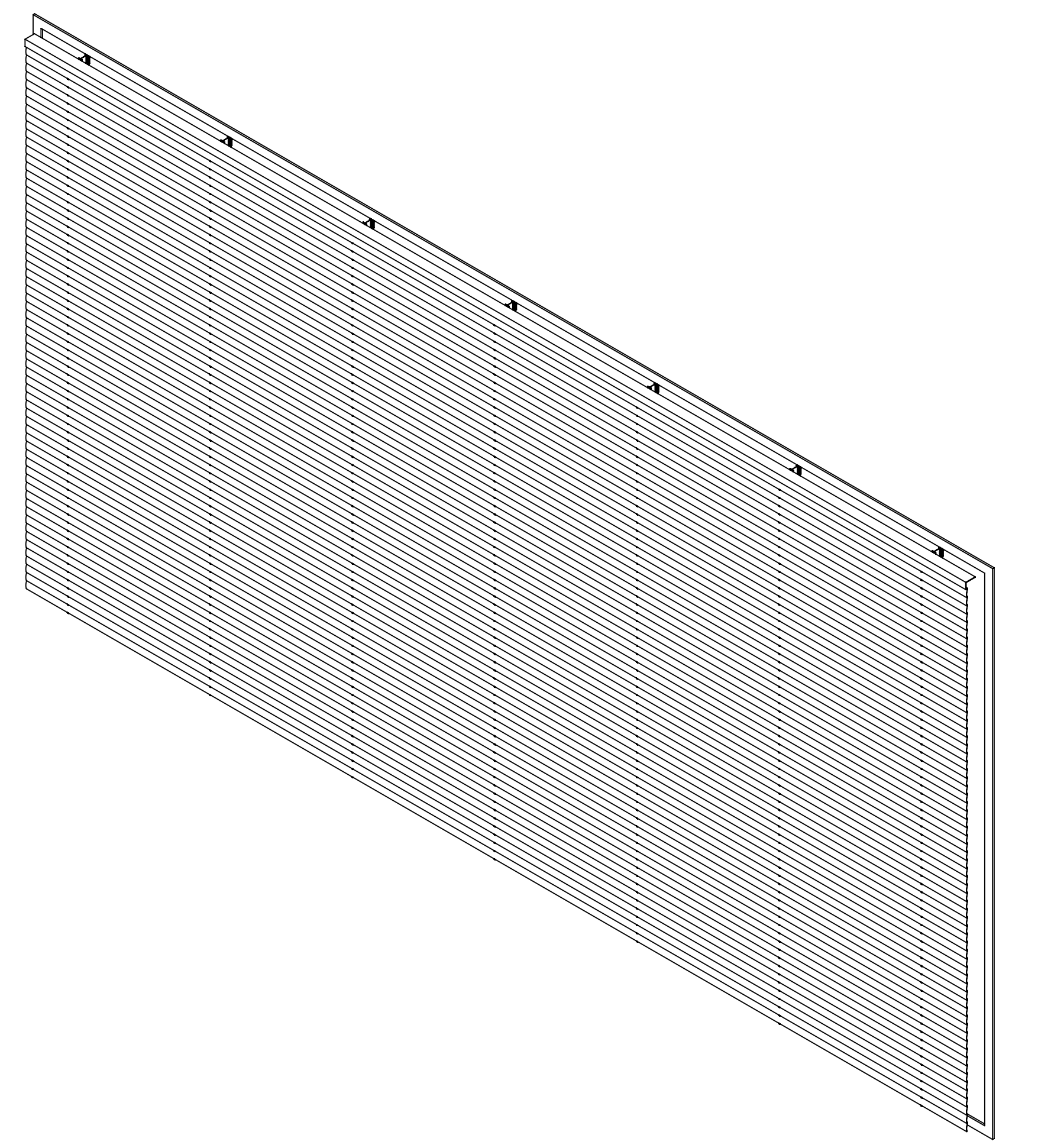
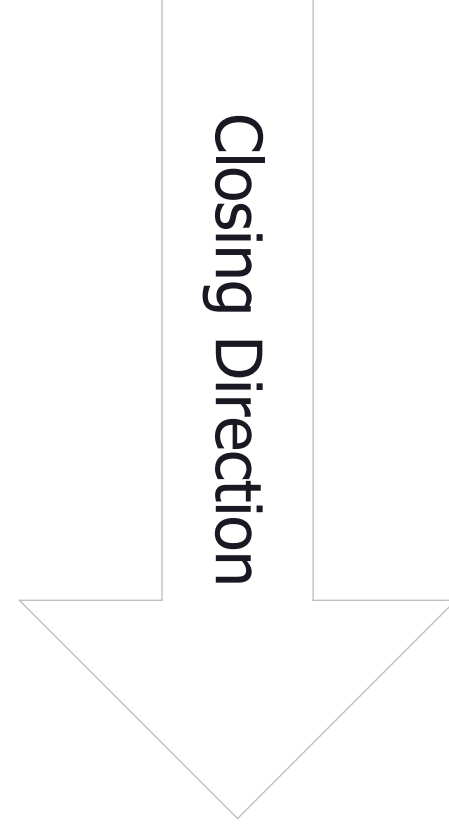
900

ATTENTION

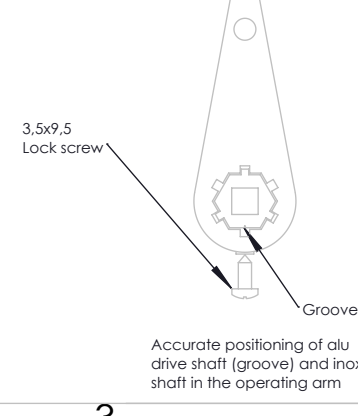


FASTENERS FOR INSTALLATION EXCLUDED (third party)				FASTENERS FOR SYSTEM ASSEMBLY INCLUDED			
MATERIAL							
CUSTOMER	DATE	9-6-2021	RACK ARMS & PARTS	Not. Ano			
DESCRIPTION	SCALE	1:10	LOUVERS	RAL 7035			
PROJECT NR	ENGINEER	JM	PLASTIC PARTS	Light Grey			
2102063	QTY	2	STATE	Waiting for Approval	50A	Int	2102063-2-B-V2-000 3/4 A0
2102063-2-B-V2-000	REV	A					





**ATTENTION**



FASTENERS FOR INSTALLATION EXCLUDED (third party)				FASTENERS FOR SYSTEM ASSEMBLY INCLUDED			
MATERIAL							
CUSTOMER	DATE	9-6-2021	RACK ARMS & PARTS	Not. Ano			
DESCRIPTION	SCALE	1:10	LOUVERS	RAL 7035			
PROJECT NR	ENGINEER	JM	PLASTIC PARTS	Light Grey			
2102063							
QUANTITY	QTY	2	STATE	Waiting for Approval	50A	Int	2102063-2-B-V2-000 4/4 A0
REV	REV	A					

