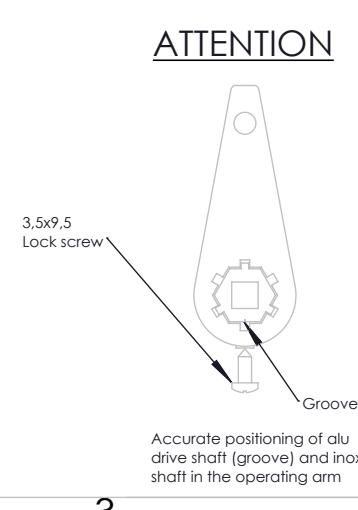


ITEM NO.	QTY.	SW-File Name (File Name)	DESCRIPTION	Comment 2
1	2	2102063-3-B-100	Heavy Duty Rack Arm, 80 mm, Pitch 90 mm (10) Assembled	L=540; Pitch 90 (10)
2	*50*	901	DIN 933 Hexagon Head Bolt M6x16	
3	*50*	908	DIN 125-1A Plain Washer M6	
4	*50*	910	DIN 934 Hexagon Nut M6	
5	*50*	911	DIN 6798-A Lock washer M6	
6	8	2102063-1-B-302	Angle bracket 60x40x4 mm, lg=20mm (part only)	L=20
7	1	2102063-3-B-501	Drive Shaft	L=2375
8	*2*	939	DIN 7981 Panhead screw 3,5 x 9,5	
9	1	58 992 99 11	Interior Motor kit for 6:1 Hard Wired	L=515 (Motor Tube)
10	1	28 102	Somfy LS40 VULCAN Motor 13/10/230V, 3m white cable	
11	2	2102063-3-B-100	Heavy Duty Rack Arm, 80 mm, Pitch 90 mm (10) Assembled	L=540; Pitch 90 (10)
12	2	2102063-3-B-100	Heavy Duty Rack Arm, 80 mm, Pitch 90 mm (10) Assembled	L=540; Pitch 90 (10)
13	2	2102063-3-B-100	Heavy Duty Rack Arm, 80 mm, Pitch 90 mm (10) Assembled	L=540; Pitch 90 (10)
14	67	2102063-3-B-401	Louver 50A	L=5430
15	1	2102063-3-B-502	Drive Shaft	L=2260
16	14	2102063-3-B-301	Angle bracket 60x40x4 mm, lg=20mm (part only)	L=20
17	6	2102063-3-B-100-Slave	Heavy Duty Rack Arm, 80 mm, Pitch 90 mm (10) Assembled	L=520; Pitch 90 (10)
18	2	2102063-3-B-701	Cross angle 50x30x3mm, 2 tracks	L=3500
19	14	000000-01-312	Angle Bracket 30x30x3mm, lg=20mm	L=20
20	1	2102063-3-B-302	Top Plate	L= c



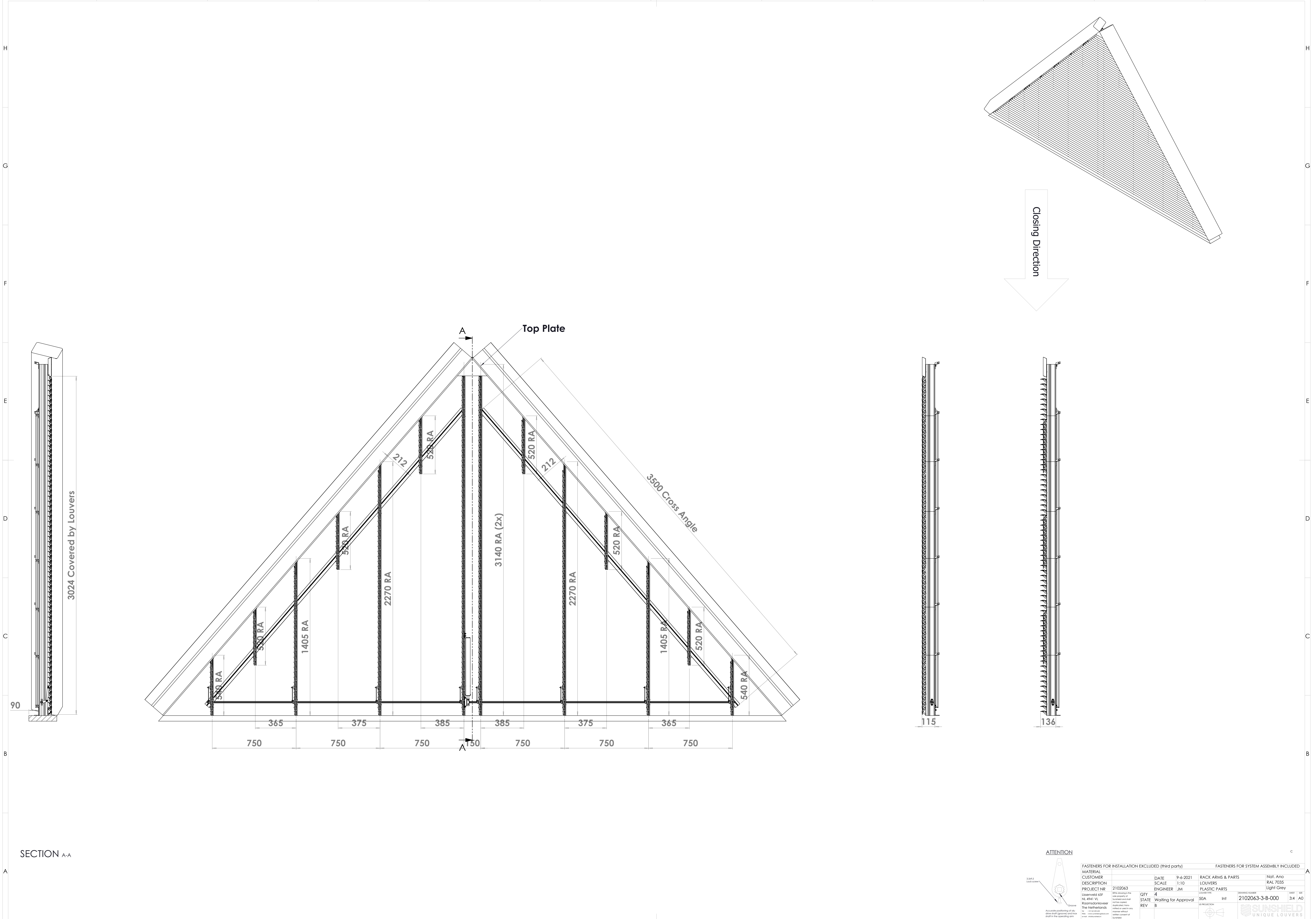
FASTENERS FOR INSTALLATION EXCLUDED (third party) FASTENERS FOR SYSTEM ASSEMBLY INCLUDED

CUSTOMER	DATE	9-6-2021	RACK ARMS & PARTS	Not. Ano
DESCRIPTION	SCALE	1:10	LOUVERS	RAL 7035
PROJECT NR	ENGINEER	JM	PLASTIC PARTS	Light Grey
2102063	4	Waiting for Approval	50A	2102063-3-B-000
STATE	REV	B		

FASTENERS FOR SYSTEM ASSEMBLY INCLUDED

24 A0

SUNSHIELD UNIQUE LOUVERS



SECTION A-A

ATTENTION

FASTENERS FOR INSTALLATION EXCLUDED (third party)		FASTENERS FOR SYSTEM ASSEMBLY INCLUDED	
MATERIAL			
CUSTOMER	DATE	9-6-2021	RACK ARMS & PARTS
DESCRIPTION	SCALE	1:10	LOUVERS
PROJECT NR	ENGINEER	JM	PLASTIC PARTS
2102063	QTY	4	34 A0
2102063-3-B-000	STATE	Int	2102063-3-B-000
REV	REV	B	
Waiting for Approval		SUNSHIELD UNIQUE LOUVERS	

