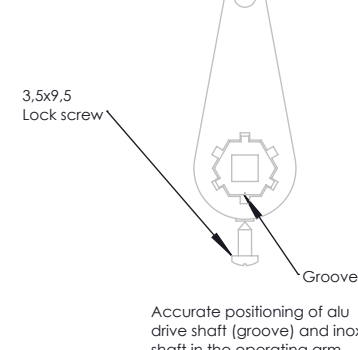


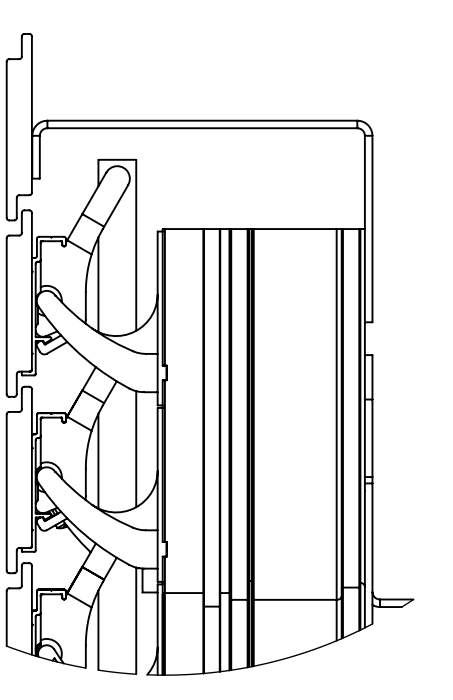
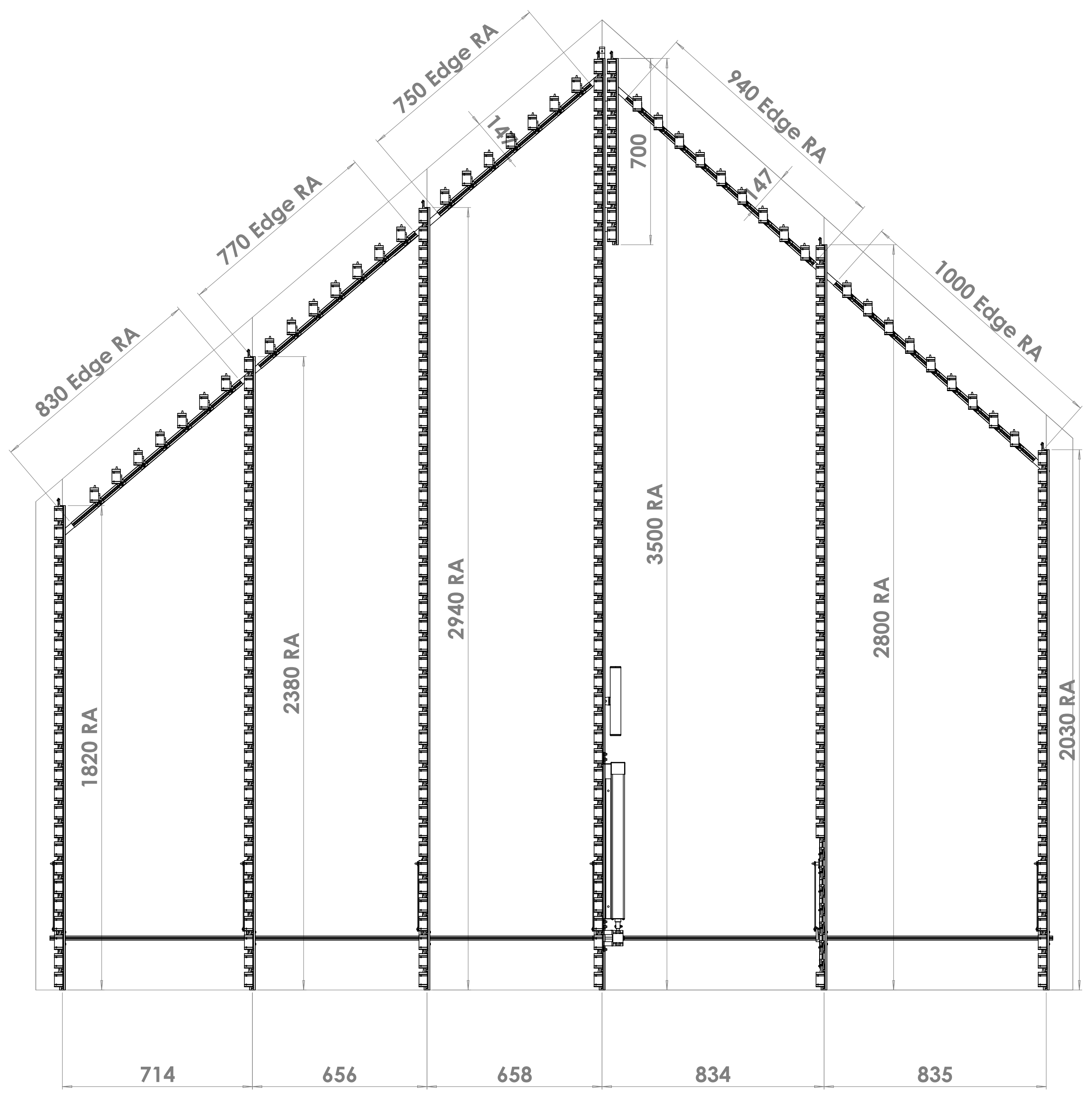
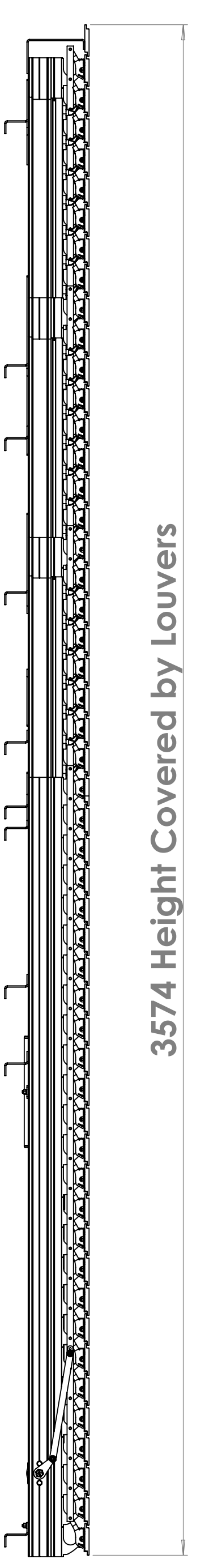
ITEM NO.	QTY.	SW-File Name (File Name)	DESCRIPTION	Comment 2
1	1	07 080 AS 74W	Heavy Duty Rack Arm, 80 mm, Pitch 70 (10) Asm	
2	16	58 704	Z-support, 30x55x30 mm, lg=20mm	L=20
3	*45*	911	DIN 6798-A Lock washer M6	
4	*45*	910	DIN 934 Hexagon Nut M6	
5	*45*	908	DIN 125-1A Plain Washer M6	
6	*45*	901	DIN 933 Hexagon Head Bolt M6x16	
7	1	2107085-01-501	Drive Shaft 14/7 mm; Standard	L=1610
8	*475*	939	DIN 7981 Panhead screw 3.5 x 9.5	
9	1	*	*Exterior Motor kit for 7:1 Hard Wired (incl. Motorhood L=1)*	*L=*
10	1	58 988	Stak/Stas Protecting Kit (incl. Tube, Plugs & Bracket) (lg=250mm)	(Motorhood)*
11	1	2107085-01-502	Drive Shaft 14/7 mm; Standard	L=2040
12	1	2107085-01-202	Heavy Duty Edge Rack Arm, 80 mm	L=940
13	39	88 300	Turnable Edge Pivot Kit S-System Pitch-70/90 (incl. short slot clip & screw)	
14	1	07 080 AS 74W	Heavy Duty Rack Arm, 80 mm, Pitch 70 (10) Asm	
15	*231*	939	DIN 7981 Panhead screw 3.5 x 13	
16	1	2107085-01-203	Heavy Duty Edge Rack Arm, 80 mm	L=750 (10)
17	1	07 080 AS 74W	Heavy Duty Rack Arm, 80 mm, Pitch 70 (10) Asm	
18	1	07 080 AS 74W	Heavy Duty Rack Arm, 80 mm, Pitch 70 (10) Asm	
19	4	58 203	Rack Arm Connector End-Strip, 3 holes (M6), 20x3mm, lg=190mm	L=190
20	1	07 080 AS 74W	Heavy Duty Rack Arm, 80 mm, Pitch 70 (10) Asm	
21	1	07 080 AS 74W	Heavy Duty Rack Arm, 80 mm, Pitch 70 (10) Asm	
22	1	28 143	Somfy SUNE4 SCR, 40 IO, 13/10/230V, 5m white cable	
23	1	28 161	Somfy Siluo 1 IO Pure Transmitter, White	
24	1	28 965	Hirschmann Set STAK/STAS-2 (Stak/Stas/clamp)	
25	51	2107085-01-401	74W Louver	L=See DWG
26	1	07 080 AS 74W Slave		
27	2	58 724	Top plate 70 x 90 mm, 4 holes, S-System	
28	1	2107085-01-201	Heavy Duty Edge Rack Arm, 80 mm	L=1000
29	1	2107085-01-204	Heavy Duty Edge Rack Arm, 80 mm	L=770
30	1	2107085-01-205	Heavy Duty Edge Rack Arm, 80 mm	L=830
31	3	58 305	Rack Arm Connector Center-Strip, 5 holes (M6), 20x3mm, lg=350mm	L=350
32	39	74 150	Fixing Clip Wood Louver 74W	L=32
33	1	2107085-01-302	Fixed Louver Bracket	T=3 <sup>01</sup>

ATTENTION

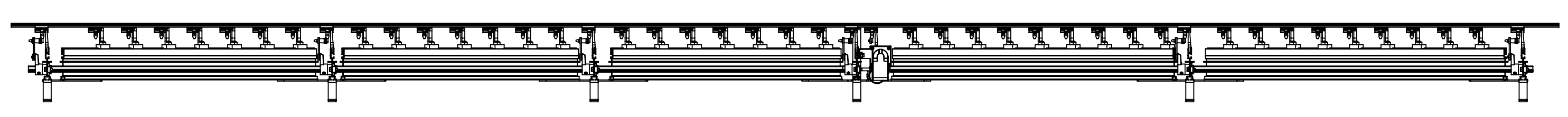
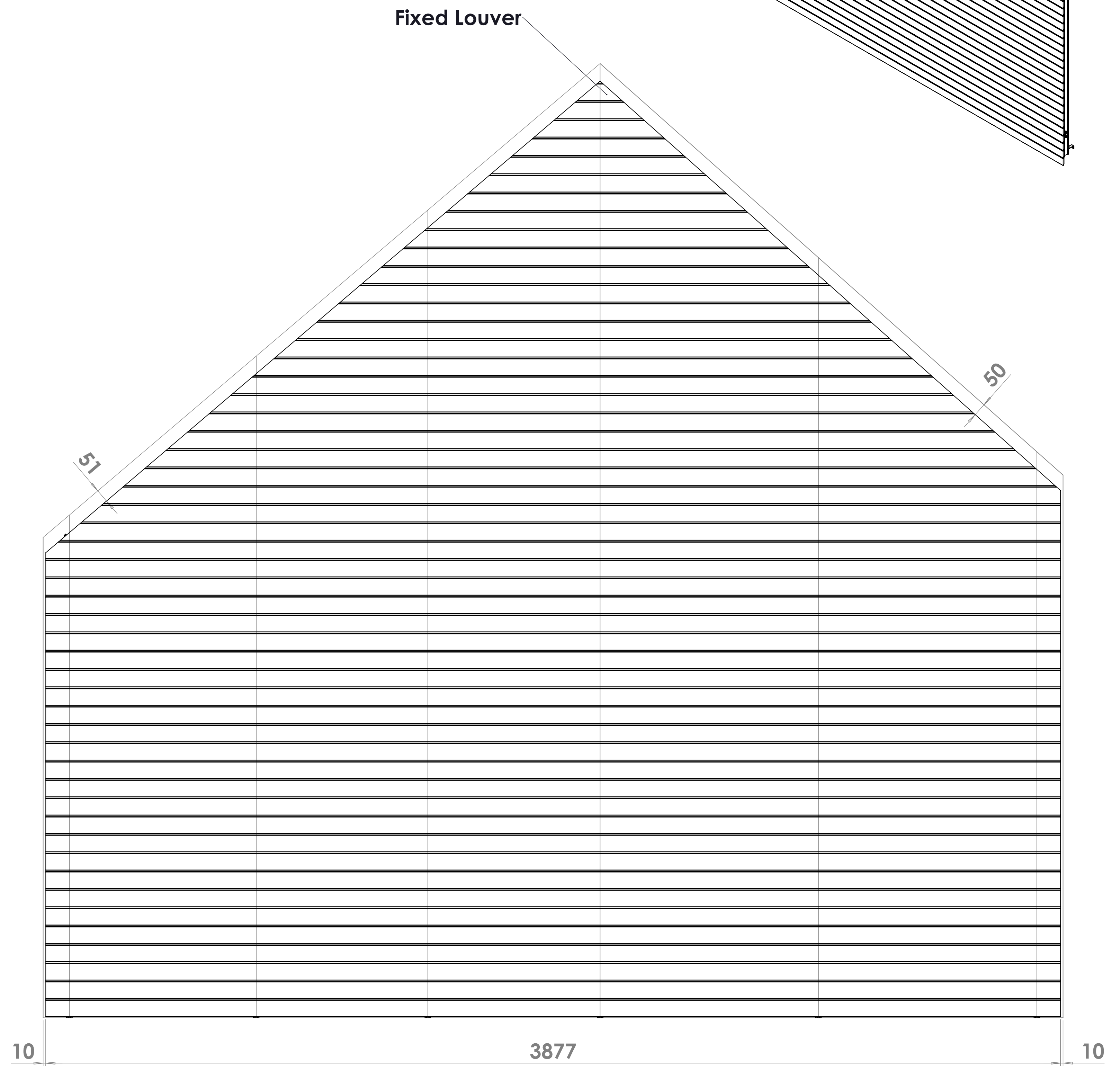
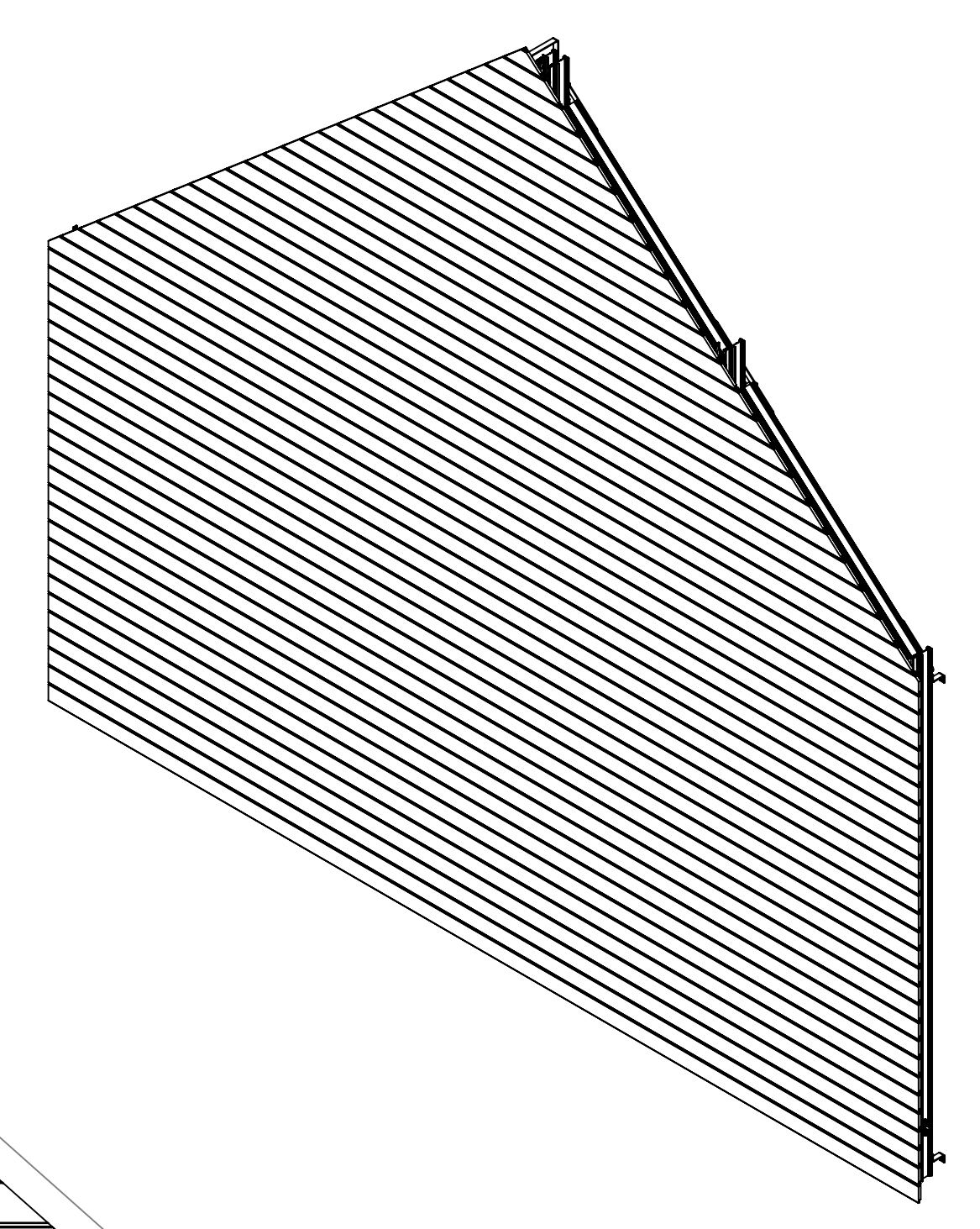
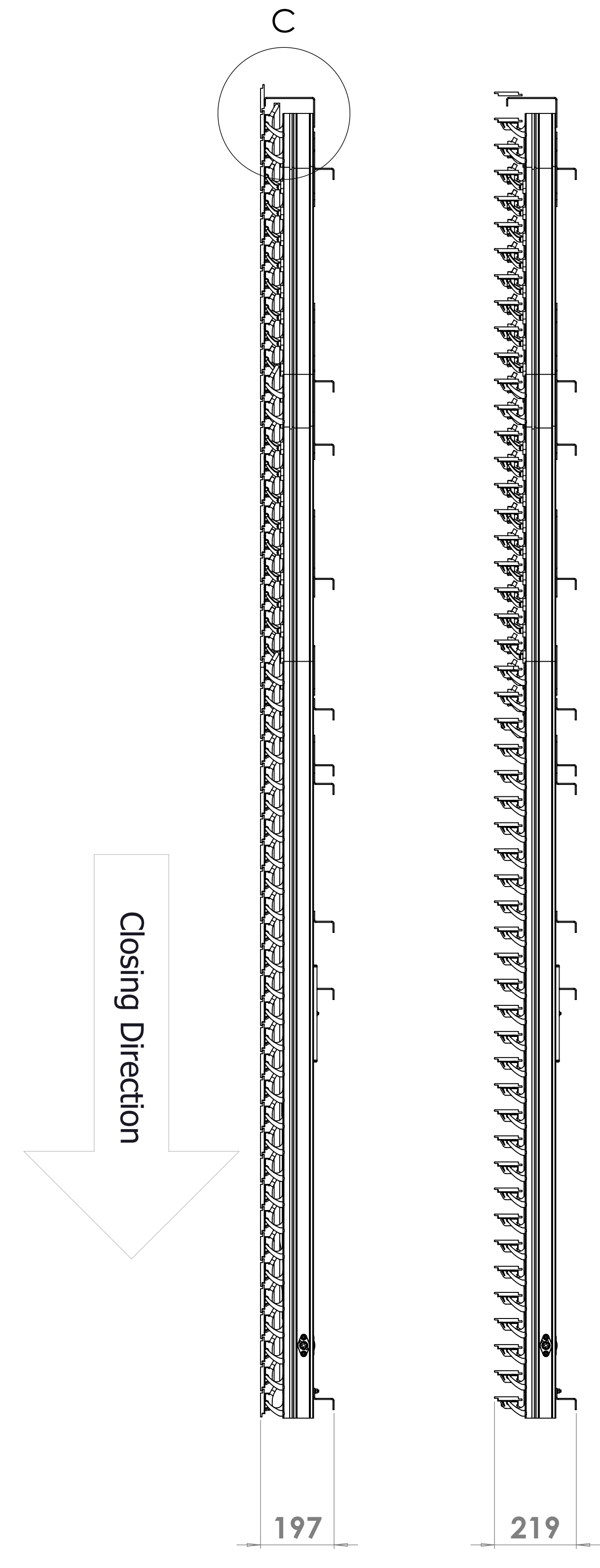


MATERIAL				FASTENERS FOR SYSTEM ASSEMBLY INCLUDED			
CUSTOMER	DATE	SCALE	18-10-2021	RACK ARMS & PARTS	SCALE	1:7.5	RAL 7021 30%
DESCRIPTION	ENGINEER	SD	LOUVERS	PLASTIC PARTS	SCALE	Black	WRC
PROJECT NR	QTY	STATE	74W	Int	2107085-01-000	24	A0
Drawn by	REV	01	Approved				

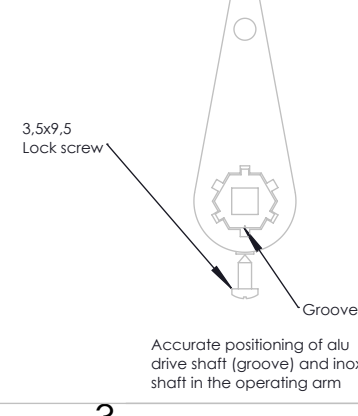




DETAIL C  
SCALE 1:3



ATTENTION



FASTENERS FOR INSTALLATION EXCLUDED (third party)				FASTENERS FOR SYSTEM ASSEMBLY INCLUDED			
MATERIAL							
CUSTOMER	DATE	18-10-2021	RACK ARMS & PARTS	RAL 7021 30%			
DESCRIPTION	SCALE	1:10	LOUVERS	WRC			
PROJECT NR	ENGINEER	SD	PLASTIC PARTS	Black			
2107085							
Quantity of	QTY	1					
fasteners for	STATE	Approved	74W	Int	2107085-01-000	34	A0
the louvers	REV	01					
in the							
production							



