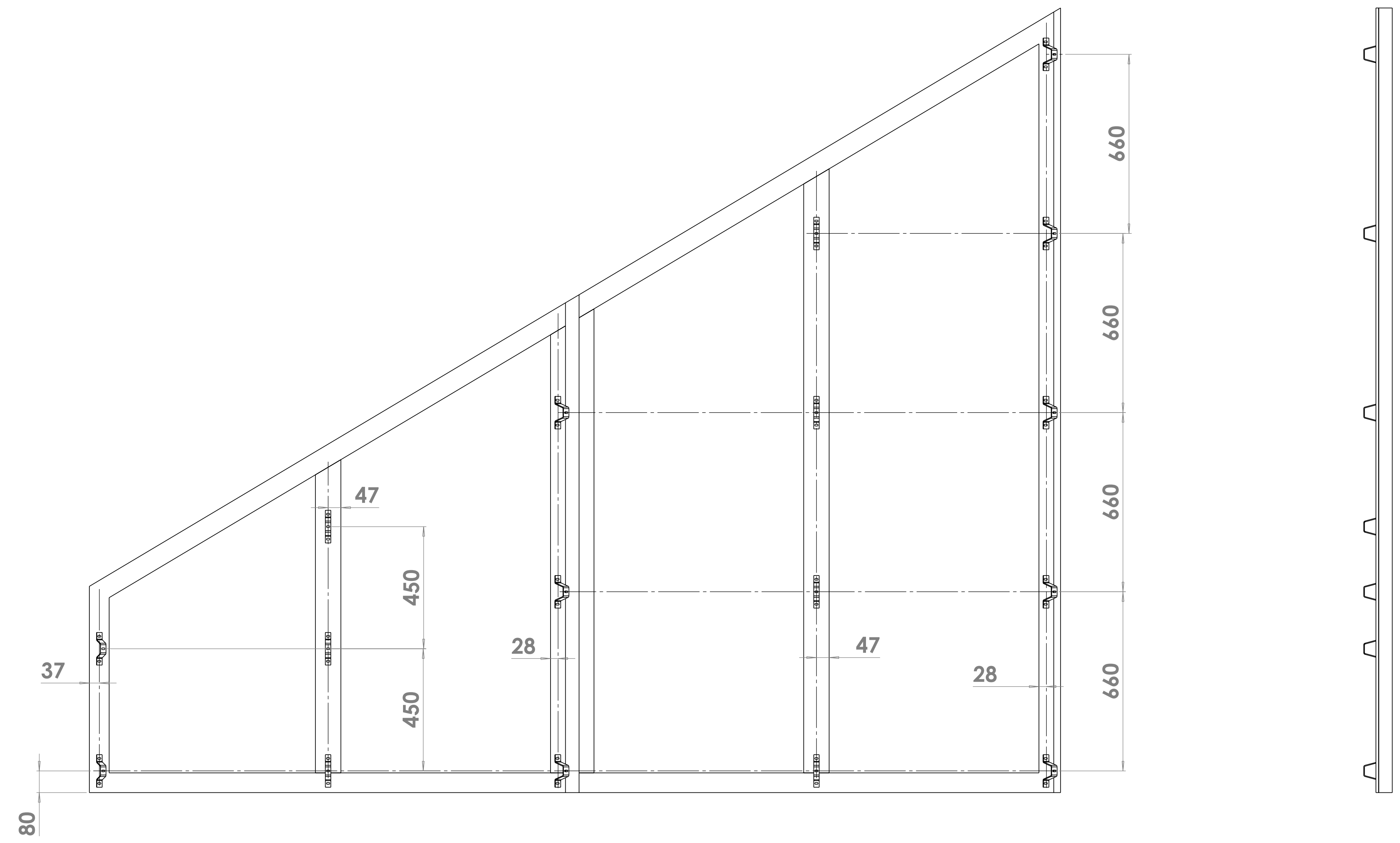
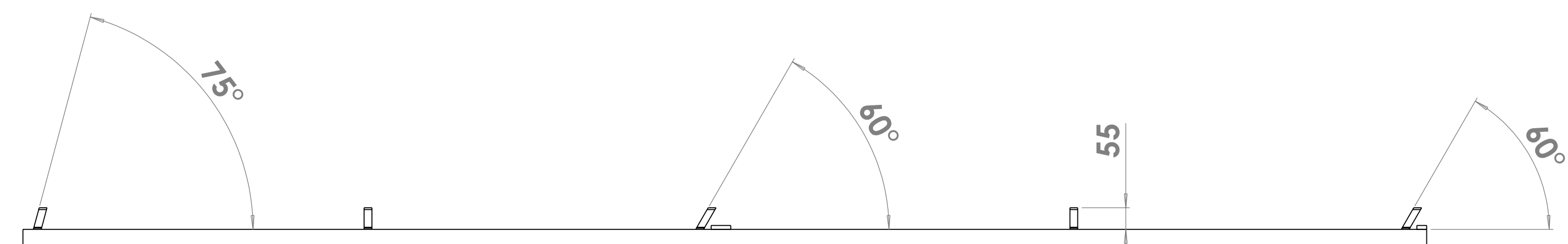


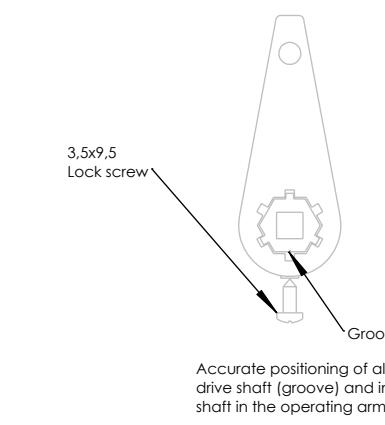
WINDOW FRAME



WINDOW FRAME
(WITH BRACKETS)

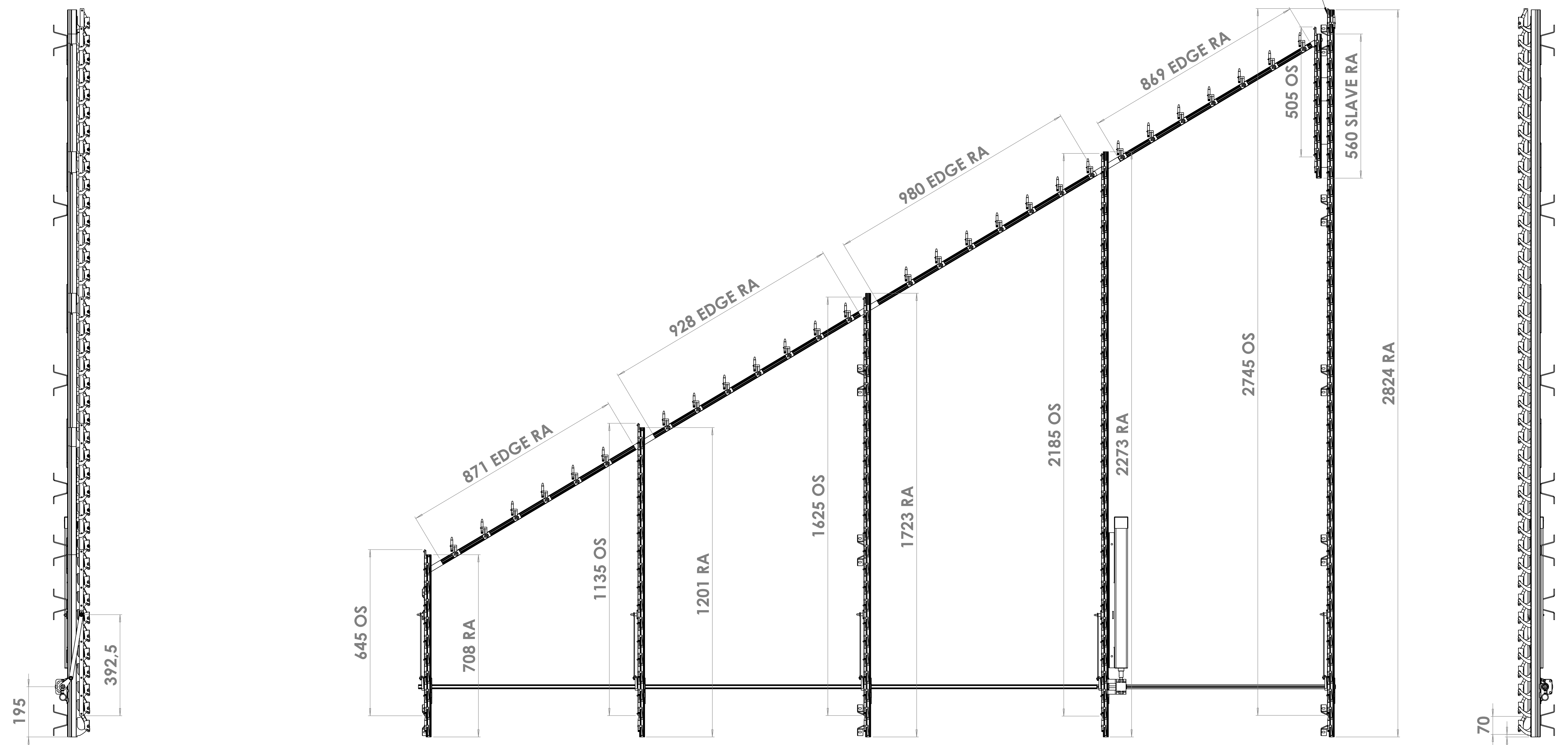
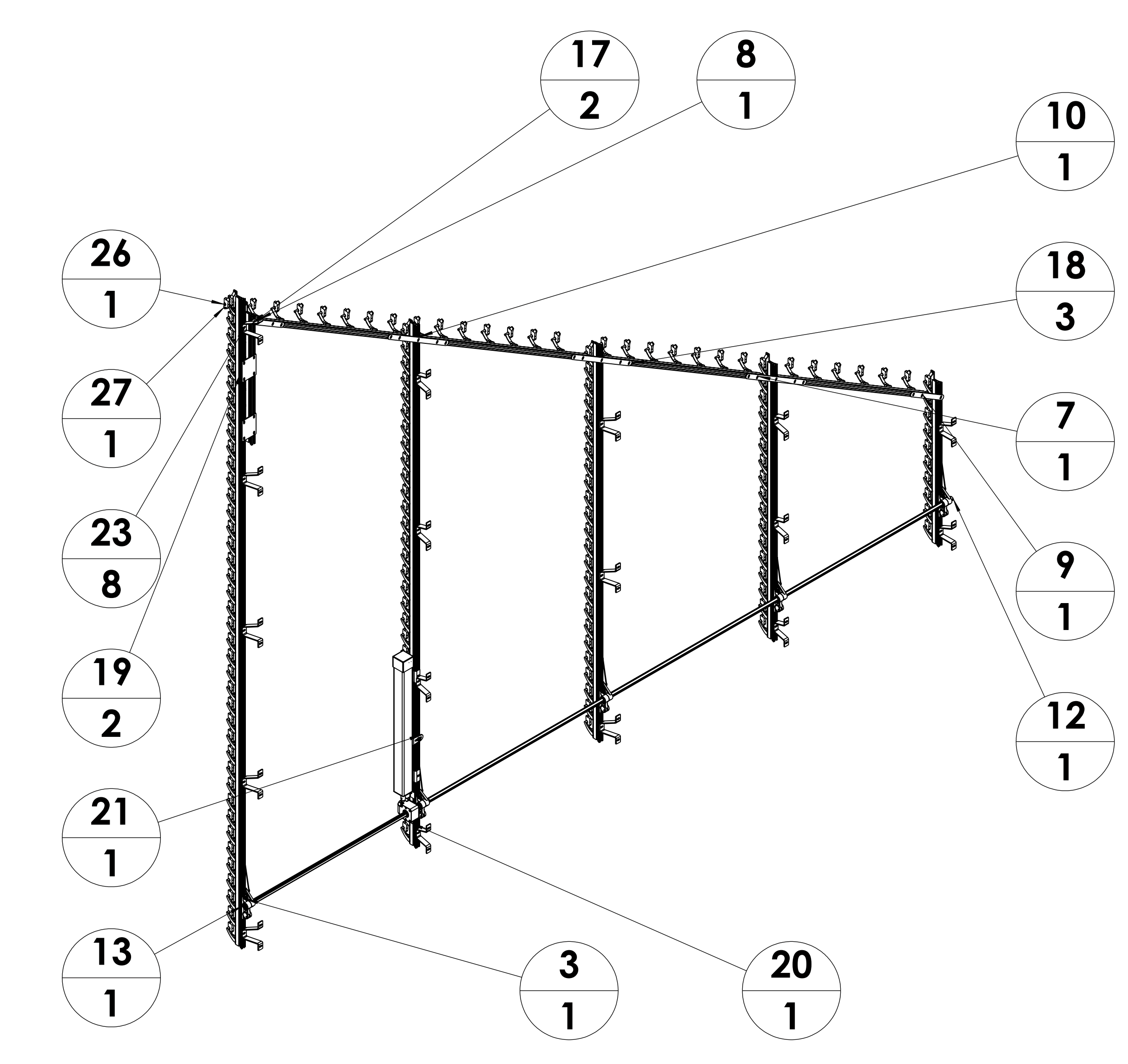
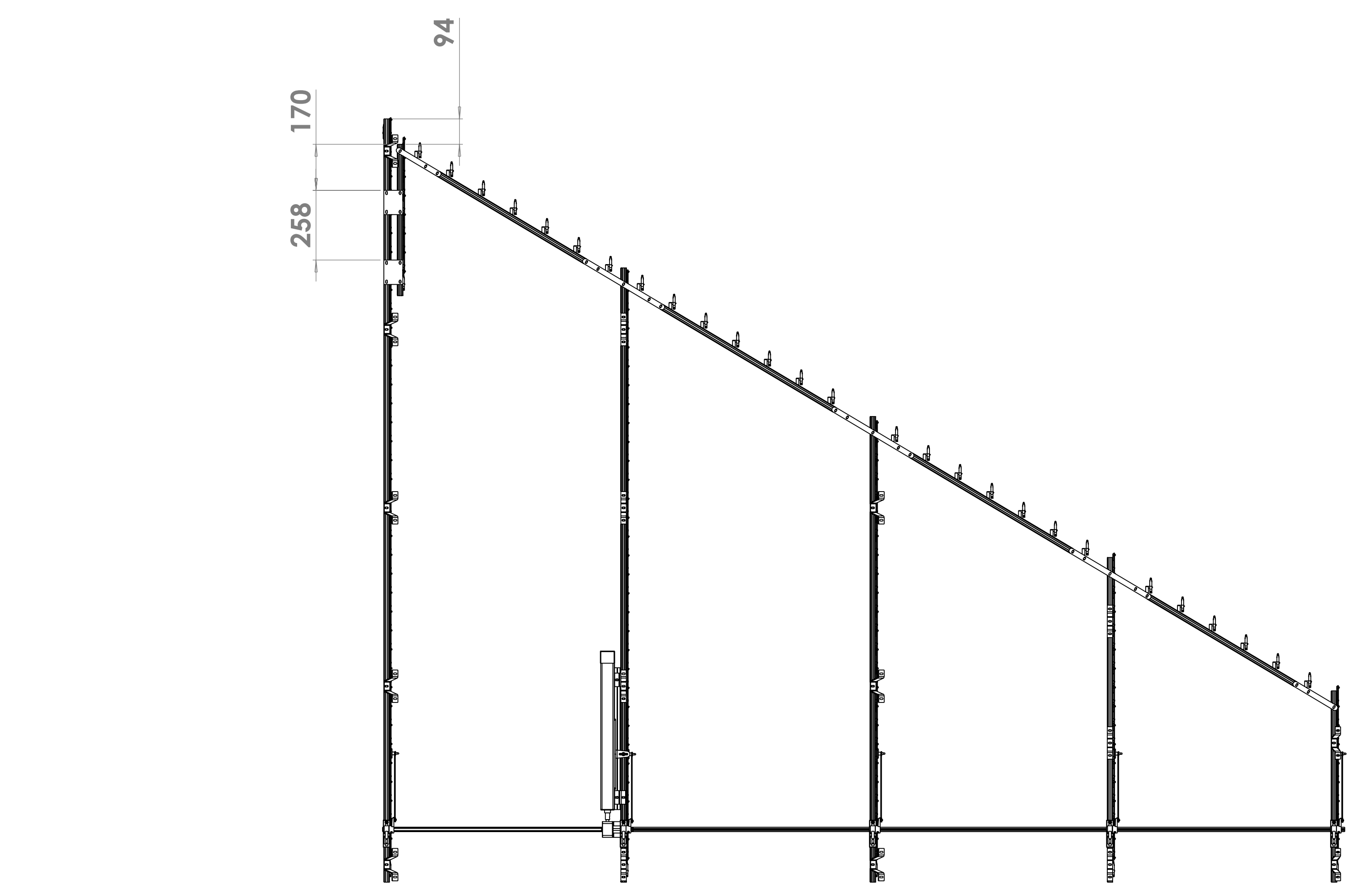


ATTENTION

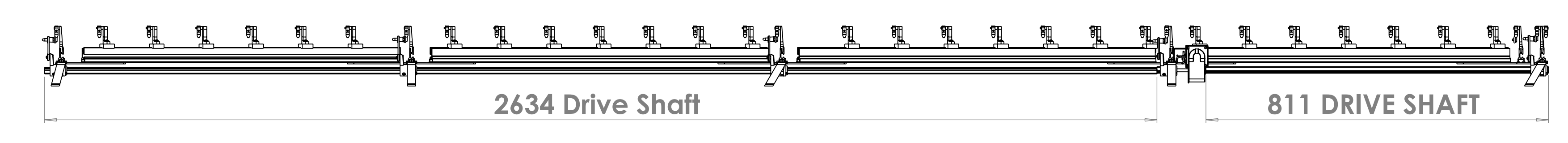


FASTENERS FOR INSTALLATION EXCLUDED (third party)				FASTENERS FOR SYSTEM ASSEMBLY INCLUDED			
MATERIAL				RACK ARMS & PARTS	RAL 7016 30% SD		
CUSTOMER	DATE	24-1-2023		LOUVERS	RAL 7016 30% SD		
DESCRIPTION	SCALE	1:10		PLASTIC PARTS	Black		
PROJECT NR	ENGINEER	JB					
2210062	QTY	1	Approved	7SE	Ext.	2210062-01-000	1:4 A0
Customer's Ref: NL 4941 V1	STATE						
Approved by: [Signature]	REV	01					





Double Pivot



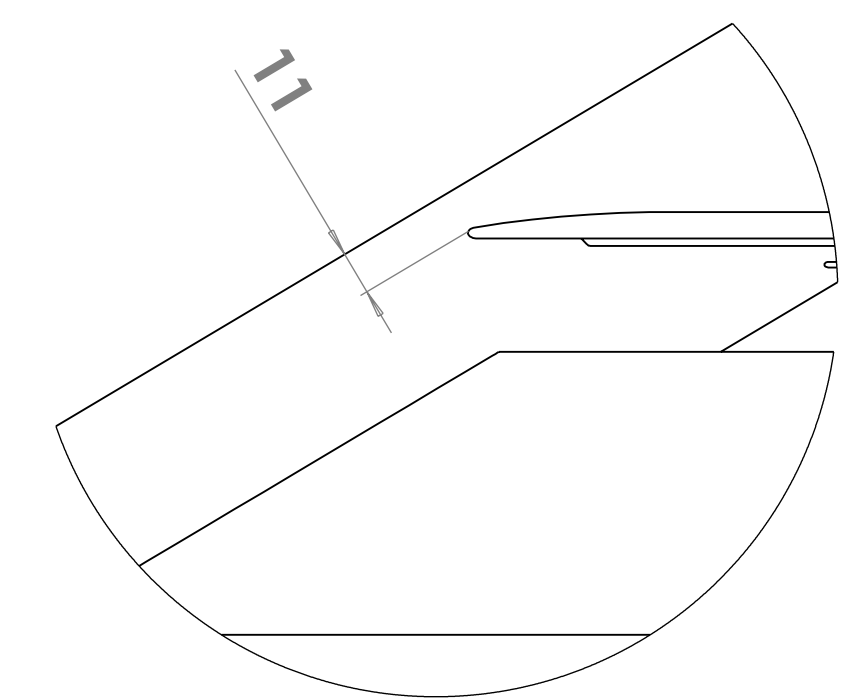
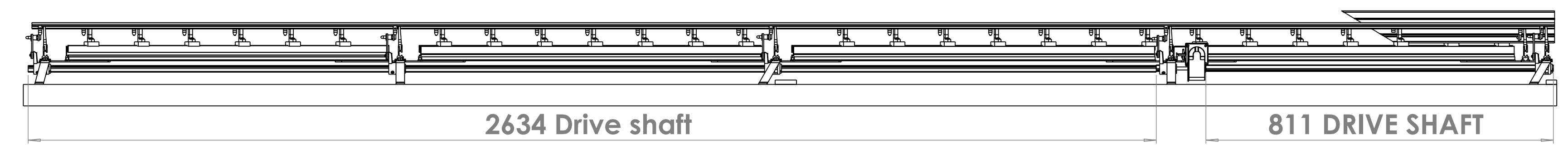
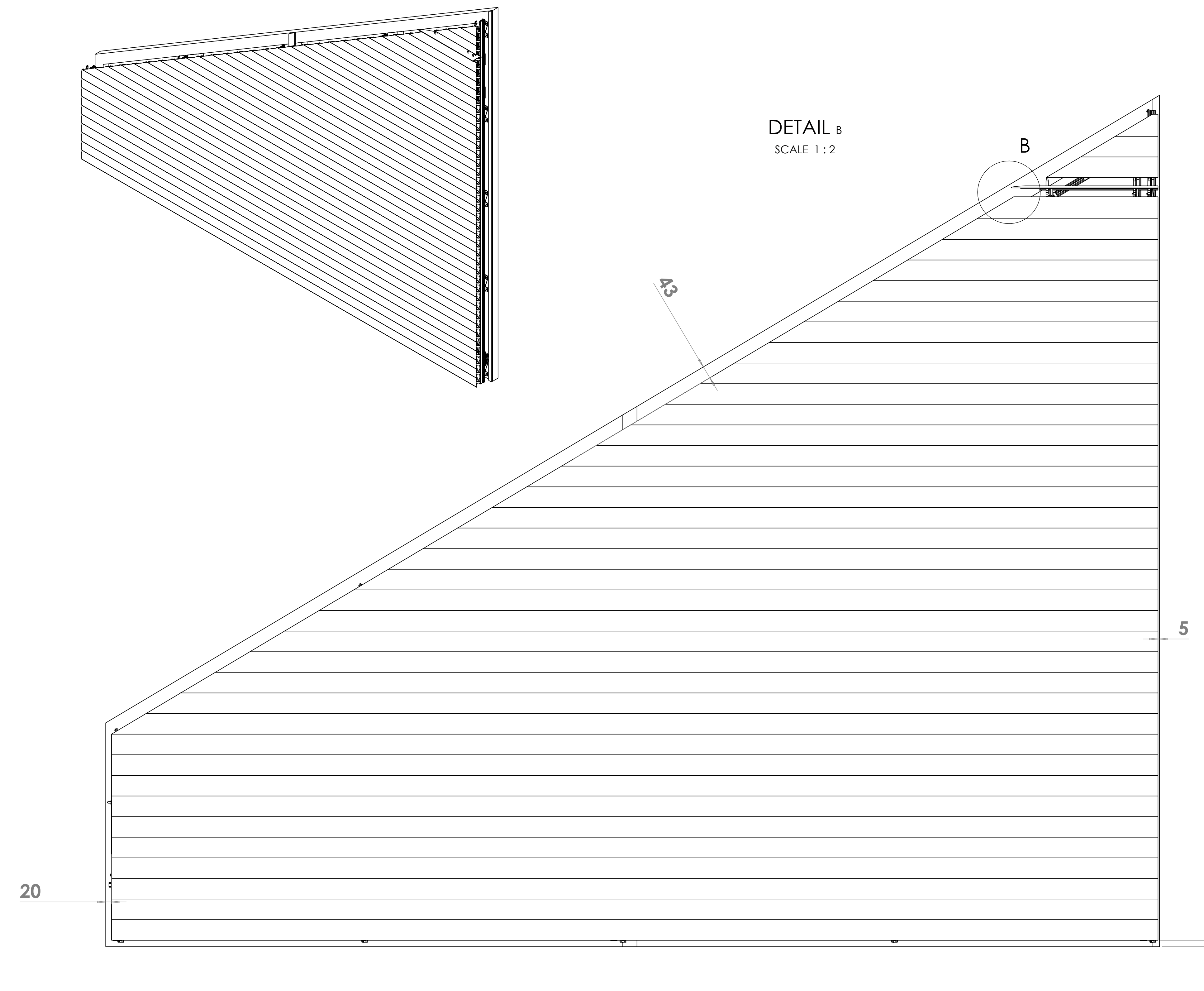
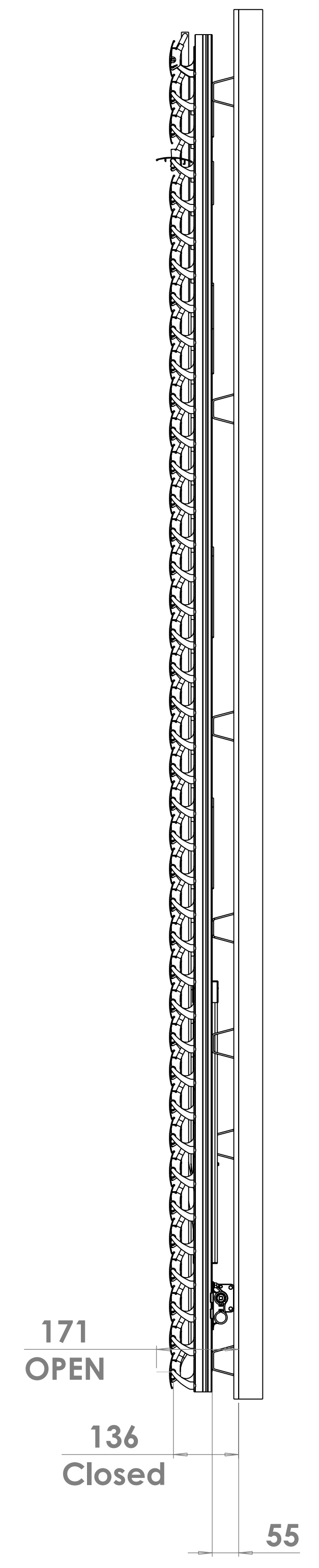
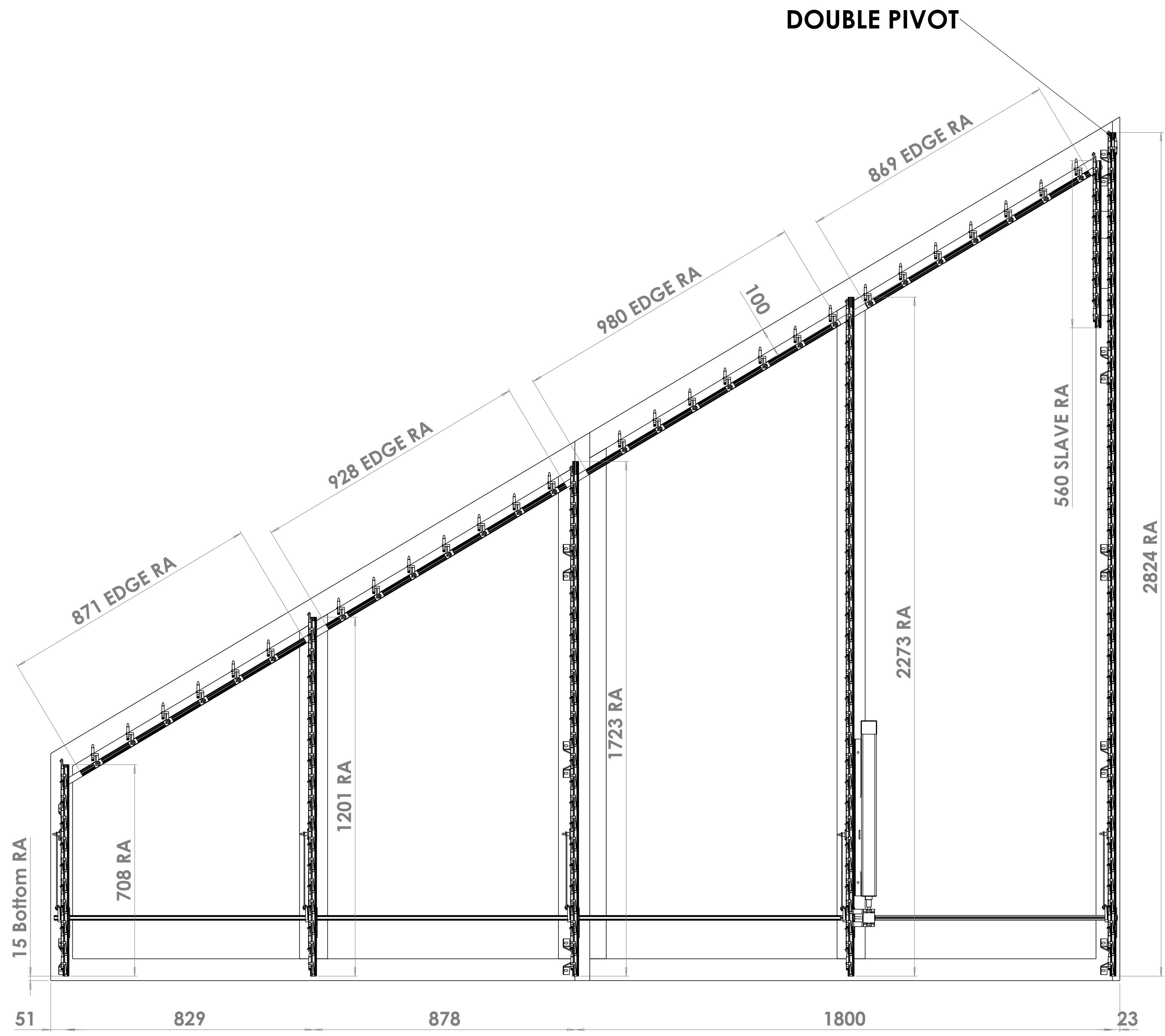
ITEM NO.	QTY.	SW-File Name (File Name)	DESCRIPTION	Comment 2
1	1	2210062-01-101	Standard Rack Arm, 35 mm, Pitch 90 (10) Assembled	L=708; Pitch 70 (10)
2	1	2210062-01-102	Standard Rack Arm, 35 mm, Pitch 90 (10) Assembled	L=1201; Pitch 70 (10)
3	1	2210062-01-103	Standard Rack Arm, 35 mm, Pitch 90 (10) Assembled	L=2824; Pitch 70 (10)
4	1	2210062-01-104	Standard Rack Arm, 35 mm, Pitch 90 (10) Assembled	L=1723; Pitch 70 (10)
5	1	2210062-01-105	Standard Rack Arm, 35 mm, Pitch 90 (10) Assembled	L=2273; Pitch 70 (10)
6	1	2210062-01-111	Slave Rack Arm, 35 mm, Assembled; Pitch 90 (10)	L=560; Pitch 70 (10)
7	1	2210062-01-201	Edge Rack Arm, 35 mm	L=928
8	1	2210062-01-202	Edge Rack Arm, 35 mm	L=869
9	1	2210062-01-203	Edge Rack Arm, 35 mm	L=871
10	1	2210062-01-204	Edge Rack Arm, 35 mm	L=980
11	41	2210062-01-401	75E Louver	SEE DWG
12	1	2210062-01-501	Drive Shaft 14/7 mm; Standard	L=2634
13	1	2210062-01-502	Drive Shaft 14/7 mm; Standard	L=811
14	1	28 143	Somfy SUNEVA SCR 40 IO, 13/10/230V, 5m white cable	
15	1	28 161	Somfy Situo 1 IO Pure Transmitter, White	
16	1	28 965	Hirschmann Set STAK/STAS-2 (Stak/Stas/clamp)	
17	2	58 203	Rack Arm Connector End Strip, 3 holes (M6), 20x3mm, lg=190mm	L=190
18	3	58 305	Rack Arm Connector Center Strip, 5 holes (M6), 20x3mm, lg=350mm	L=350
19	2	58 724	Top plate 70 x 90 mm, 4 holes, S-System	
20	1	58 957 99 22	Exterior Motor kit for 7:1 IO/RTS (incl. Motorhood L=580)	L=580 (Motorhood)
21	1	58 988	Stak/Stas Protecting Kit (incl. Tube, Plugs & Bracket) (lg=250mm)	
22	27	88 300	Turnable Edge Pivot Kit S-System Pitch-70/90 (incl. short slot clip & screw)	
23	8	Universal Bracket	Omega H-55; 60°, lg=20mm	
24	2	Universal Bracket	Omega H-55; 75°, lg=20mm	
25	7	Universal Bracket	Omega H-55; 90°, lg=20mm	
26	1	Pivot-2-sides-S-System	Pivot Arm S-System Pitch-70/90	
27	1	88 108	Edge Slotclip S-System Pitch 70/90 (shortened)	

ATTENTION

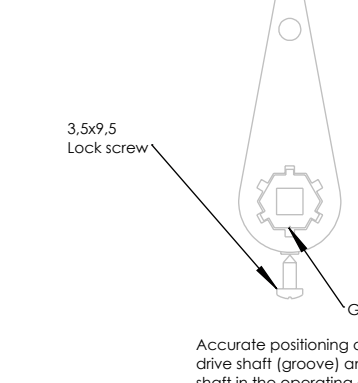
FASTENERS FOR INSTALLATION EXCLUDED (third party) FASTENERS FOR SYSTEM ASSEMBLY INCLUDED

CUSTOMER	DATE	24-1-2023	RACK ARMS & PARTS	RAL 7016 30% SD
DESCRIPTION	SCALE	1:8	LOUVERS	RAL 7016 30% SD
PROJECT NR	ENGINEER	JB	PLASTIC PARTS	Black
2210062	QTY	1	2210062-01-000	24 A0
24444444	STATE	Approved	75E	Ext.
NL 4941 V1	REV	01		

UNIQUE LOUVERS

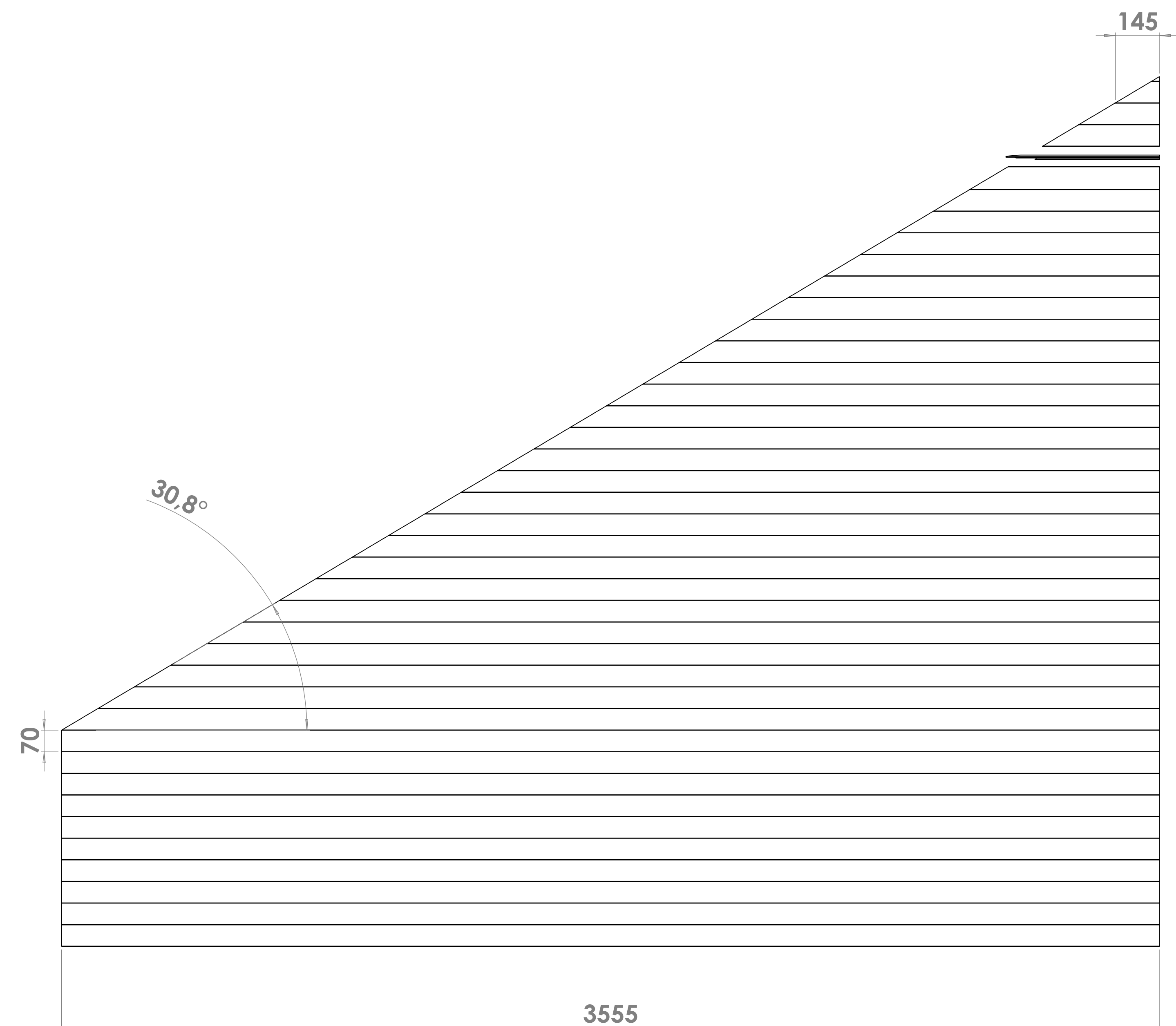


ATTENTION

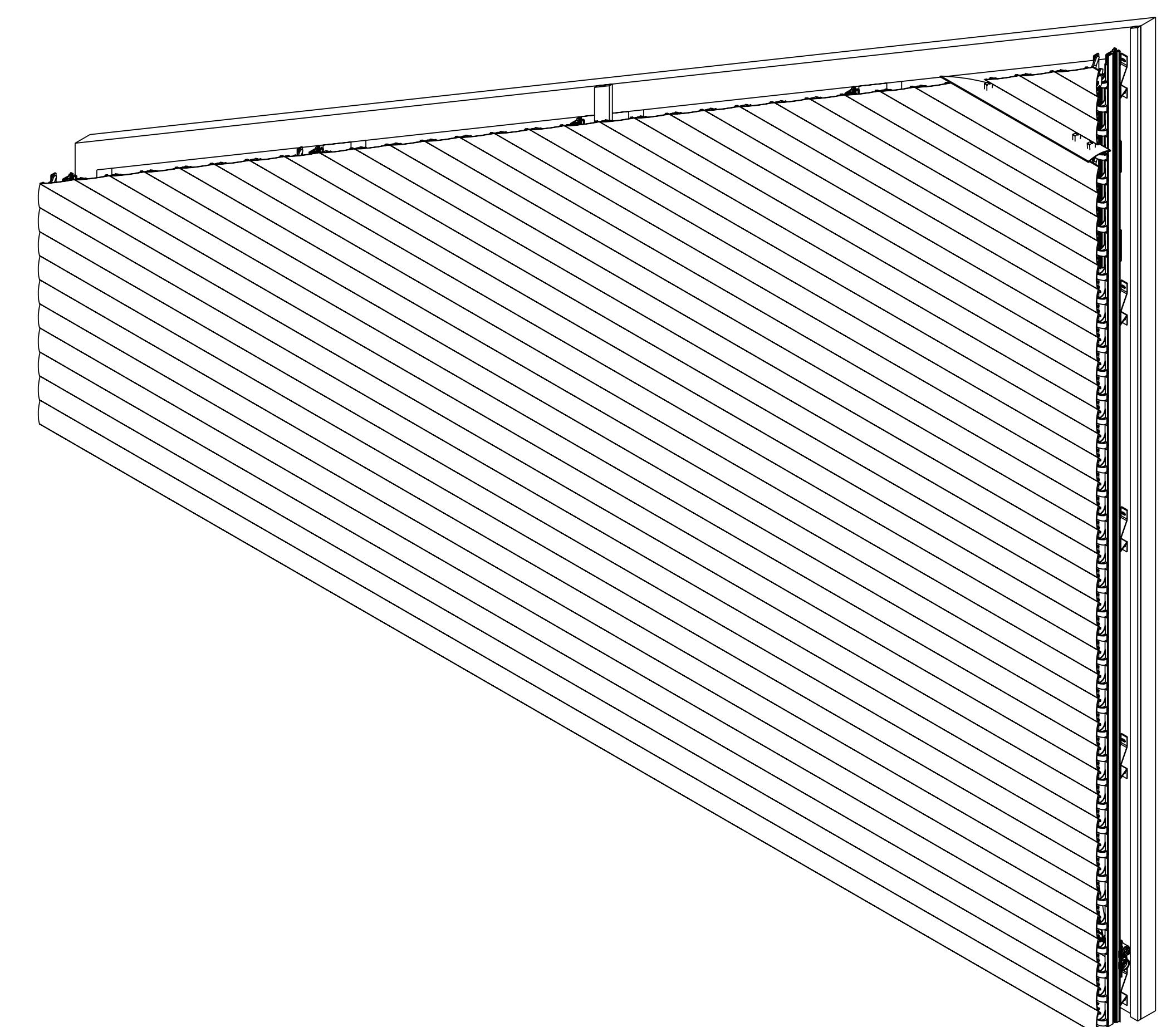


FASTENERS FOR INSTALLATION EXCLUDED (third party)				FASTENERS FOR SYSTEM ASSEMBLY INCLUDED			
CUSTOMER	DATE	24-1-2023	RACK ARMS & PARTS	RAL 7016 30% SD			
DESCRIPTION	SCALE	1:8	LOUVERS	RAL 7016 30% SD			
PROJECT NR	ENGINEER	JB	PLASTIC PARTS	Black			
2210062	QTY	1	7SE	Ext.	2210062-01-000	3/4	A0
2210062-01-000	STATE	Approved					
REV	01						

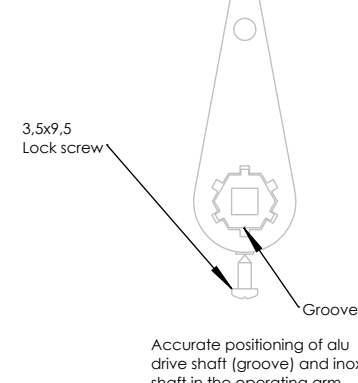




ITEM NO.	QTY.	DESCRIPTION	LENGTH
1	1	96E Louver	145
2	1	96E Louver	263
3	1	96E Louver	380
4	1	96E Louver	498
5	1	96E Louver	615
6	1	96E Louver	733
7	1	96E Louver	851
8	1	96E Louver	968
9	1	96E Louver	1086
10	1	75E Louver	1203
11	1	75E Louver	1321
12	1	75E Louver	1439
13	1	75E Louver	1556
14	1	75E Louver	1674
15	1	75E Louver	1791
16	1	75E Louver	1909
17	1	75E Louver	2027
18	1	75E Louver	2144
19	1	75E Louver	2262
20	1	75E Louver	2379
21	1	75E Louver	2497
22	1	75E Louver	2615
23	1	75E Louver	2732
24	1	75E Louver	2850
25	1	75E Louver	2967
26	1	75E Louver	3085
27	1	75E Louver	3203
28	1	75E Louver	3320
29	1	75E Louver	3438
30	1	75E Louver	3555
31	1	75E Louver	3555
32	9	75E Louver	3555



ATTENTION



FASTENERS FOR INSTALLATION EXCLUDED (third party)				FASTENERS FOR SYSTEM ASSEMBLY INCLUDED			
MATERIAL				MATERIAL			
CUSTOMER	2210062	SCALE	1:6	RACK ARMS & PARTS	RAL 7016 30% SD		
DESCRIPTION	2210062	ENGINEER	JB	LOUVERS	RAL 7016 30% SD		
PROJECT NR	2210062	QTY	1	PLASTIC PARTS	Black		
DATE	24-1-2023	STATE	Approved	Ext.	2210062-01-000	4:4	A0
REV	01						

