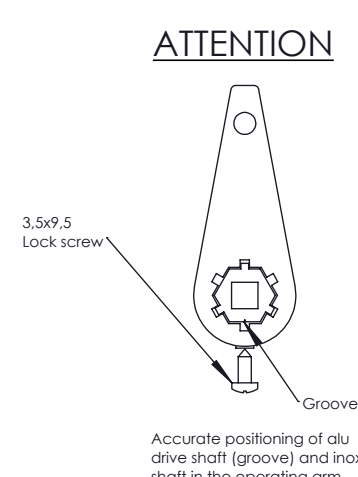
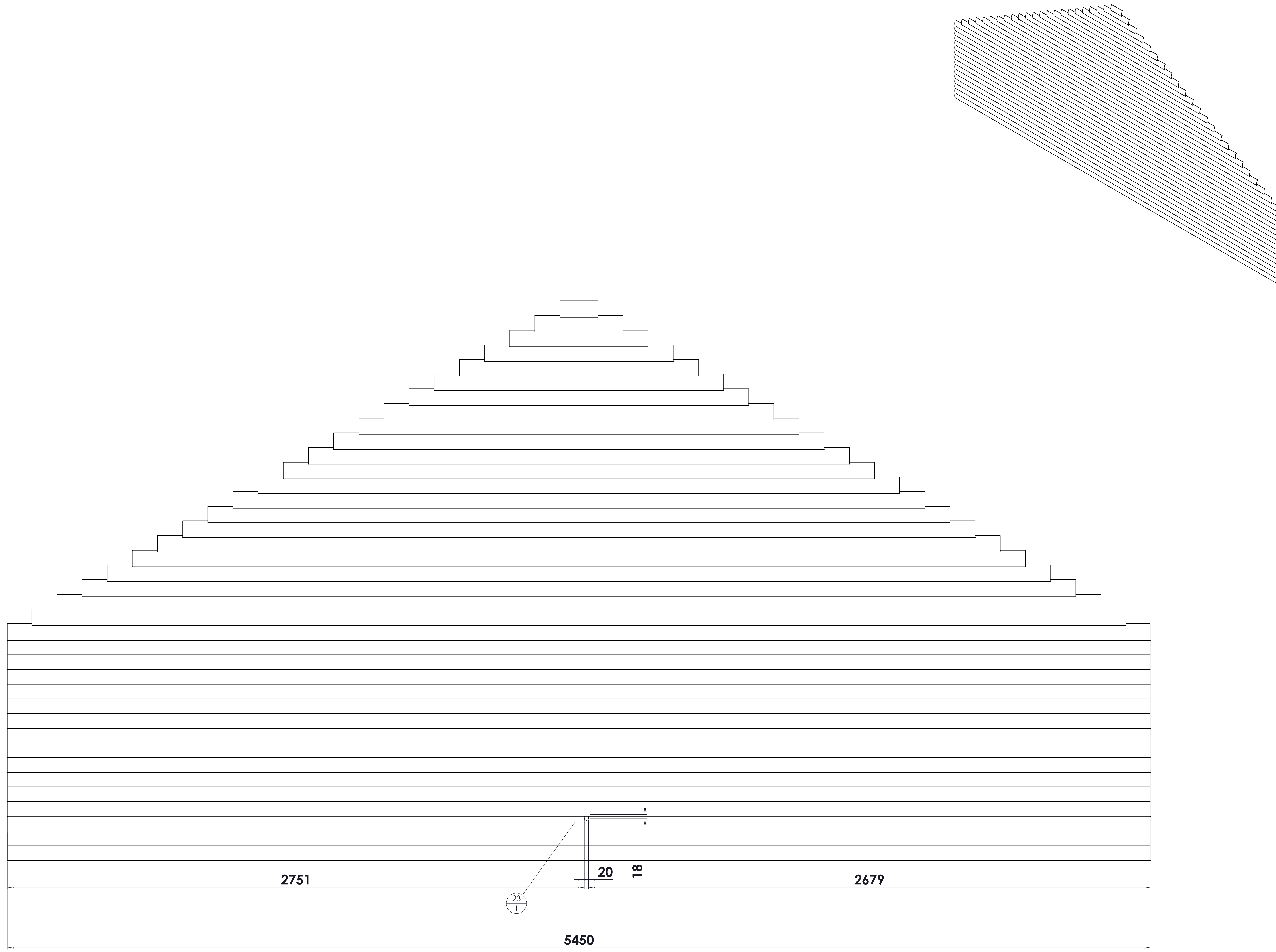


ITEM NO.	QTY.	SW-File Name (File Name)	DESCRIPTION	Comment 2
1	2	2201013-01-100	Standard Rack Arm, 35 mm, Pitch 70 (10) Assembled	L=1120
2	2	2201013-01-100	Standard Rack Arm, 35 mm, Pitch 70 (10) Assembled	L=1610
3	2	2201013-01-100	Standard Rack Arm, 35 mm, Pitch 70 (10) Assembled	L=2170
4	1	2201013-01-100	Standard Rack Arm, 35 mm, Pitch 70 (10) Assembled	L=2660
5	1	2201013-01-101	Standard Rack Arm, 35 mm, Pitch 70 (10) Assembled	L=630
6	1	2201013-01-201	Standard Rack Arm, 35 mm, Pitch-70	L=910; Pitch 70 (910)
7	5	2201013-01-201	Standard Rack Arm, 35 mm, Pitch-70	L=955; Pitch 70 (955)
8	38	2201013-01-401	Louver 80R	SEE DWG
9	1	2201013-01-501	Drive Shaft	L=2670
10	1	2201013-01-501	Drive Shaft	L=2695
11	1	2201013-58 990		
12	38	2201013-80 366	Turnable Edge Pivot Kit S-System Pitch-70/90 (incl. short slot clip & screw)	
13	4	58 203	Rack Arm Connector End-Strip, 3 holes (M6), 20x3mm, lg=190mm	L=190
14	4	58 305	Rack Arm Connector Center-Strip, 5 holes (M6), 20x3mm, lg=350mm	L=350
15	13	58 623	Omega H-55, 29x54x31x54x29 x 3 mm, lg=20mm	L=20
16	4	58 625	Omega H-55; 75°, lg=20mm	L=20 (1.31°)
17	2	58 724	Top plate 70 x 90 mm, 4 holes, S-System	01

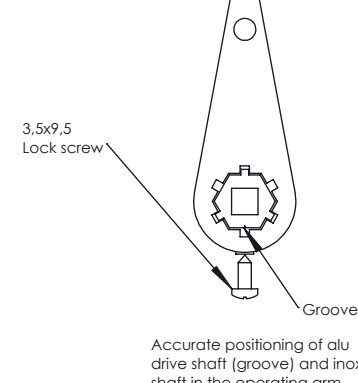


FASTENERS FOR INSTALLATION EXCLUDED (third party)				FASTENERS FOR SYSTEM ASSEMBLY INCLUDED			
CUSTOMER	DATE	SCALE	RAV	DATE	SCALE	RAV	RAV
DESCRIPTION	PROJECT NR	ENGINEER	REV	DESCRIPTION	PROJECT NR	ENGINEER	REV
2201013	2201013	1-8	01	2201013-01-000	2201013-01-000	1-8	01
24	A0						

ITEM NO.	QTY.	LENGTH
1	1	180
2	1	420
3	1	660
4	1	900
5	1	1140
6	1	1380
7	1	1620
8	1	1860
9	1	2100
10	1	2340
11	1	2580
12	1	2820
13	1	3060
14	1	3300
15	1	3540
16	1	3780
17	1	4020
18	1	4260
19	1	4500
20	1	4740
21	1	4980
22	1	5220
23	1	5450
24	15	5450
Total	38	146600



ATTENTION



FASTENERS FOR INSTALLATION EXCLUDED (third party)				FASTENERS FOR SYSTEM ASSEMBLY INCLUDED			
MATERIAL							
CUSTOMER	BOR	DATE	01/04/2022	RACK ARMS & PARTS		Natural Anodized	
DESCRIPTION	LOUVERS	SCALE	1:8	LOUVERS		RAL 7035 30%	
PROJECT NR	2201013	ENGINEER	RW	PLASTIC PARTS		Light Grey	
OPERATED BY		QTY		STATE	Approved	BOR	Int
REVISIONS		REV	01			2201013-01-000	44 A0

