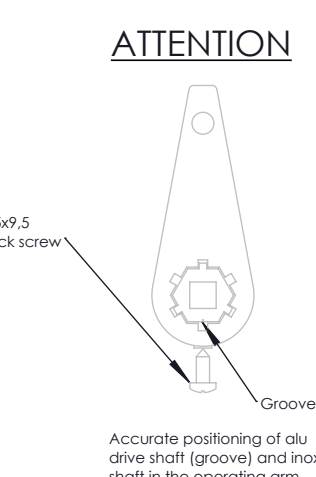


**Louvers Excluded
Motor Excluded**

ITEM NO.	QTY.	SW-File Name (File Name)	DESCRIPTION	Comment 2
1	8	07 035 AS 88E	Standard Rack Arm, 35 mm, Pitch 70 (10) Assembled	L=3500; Pitch 70 (10)
2	*40*	939	DIN 7981 Panhead screw 3,5 x 13	
3	2	58 957 99 22	Exterior Motor kit for 7:1 O/RTS (incl. Motorhood L=580)	L=580 (Motorhood)
4	2	58 988	Stok/Stas Protecting Kit (incl. Tube, Plugs & Bracket) (lg=250mm)	
5	*4*	939	DIN 7981 Panhead screw 3,5 x 9,5	
6	1	2110030-01-501	Drive Shaft 14/7 mm; Standard	L=1090
7	1	2110030-01-502	Drive Shaft 14/7 mm; Standard	L=2105
8	1	2110030-01-503	Drive Shaft 14/7 mm; Standard	L=1065
9	1	2110030-01-504	Drive Shaft 14/7 mm; Standard	L=2125
10	28	58 623	Omega H.55, 29x54x31x54x29 x 3 mm, lg=20mm	L=20
11	*28*	901	DIN 933 Hexagon Head Bolt M6x16	
12	*28*	908	DIN 125-1A Plain Washer M6	
13	*28*	910	DIN 934 Hexagon Nut M6	
14	*28*	911	DIN 6798-A Lock washer M6	01

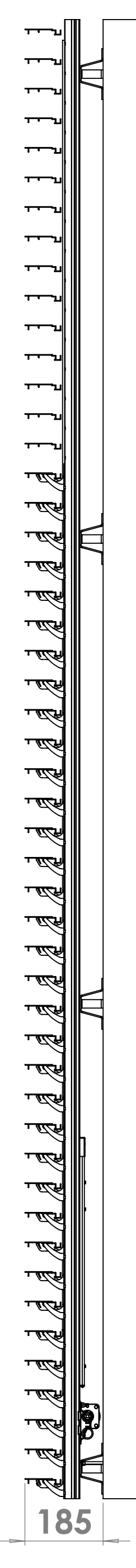
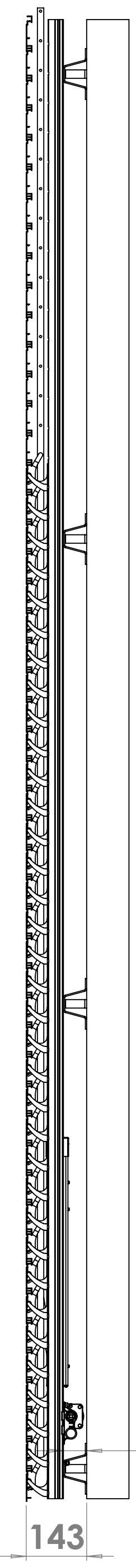
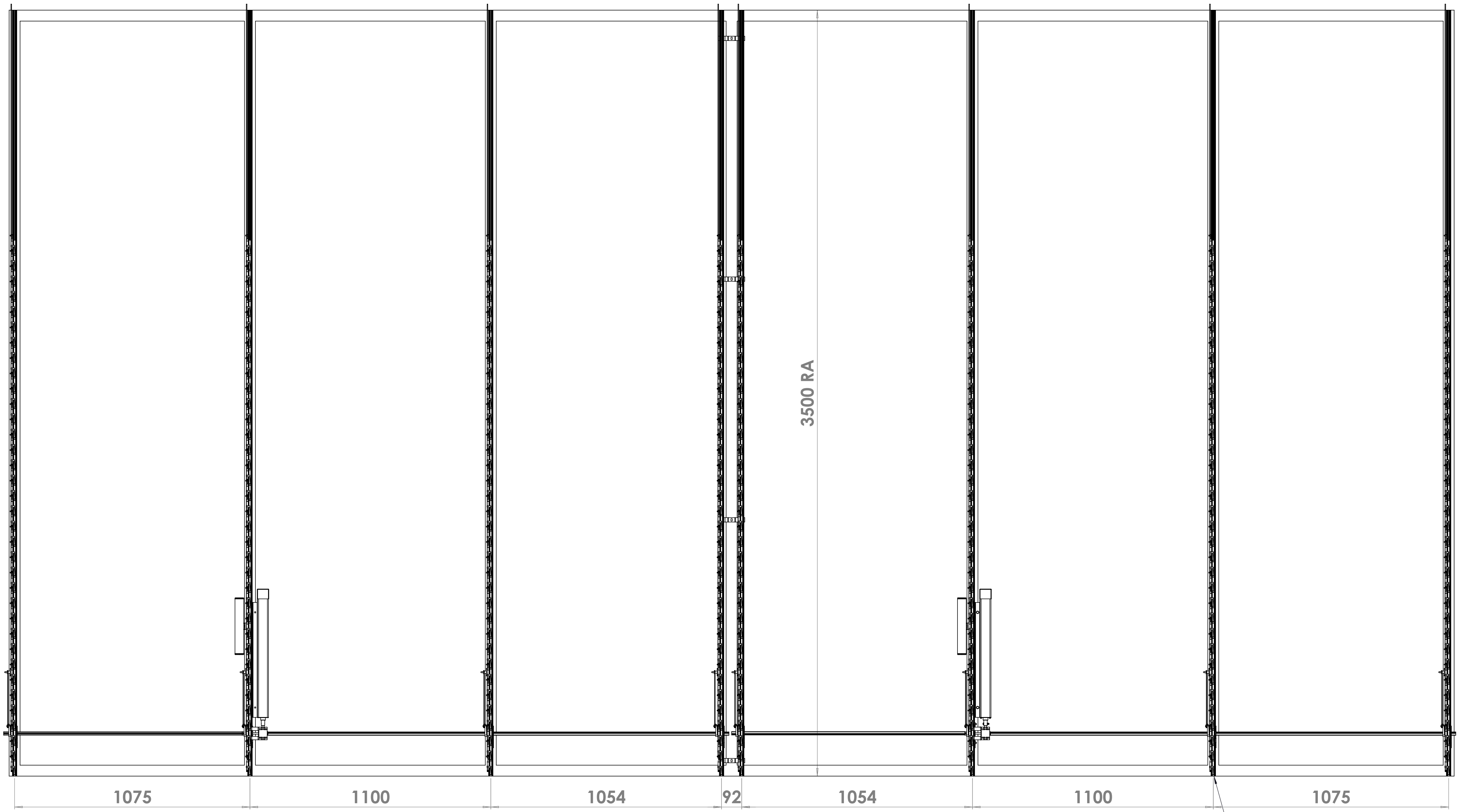
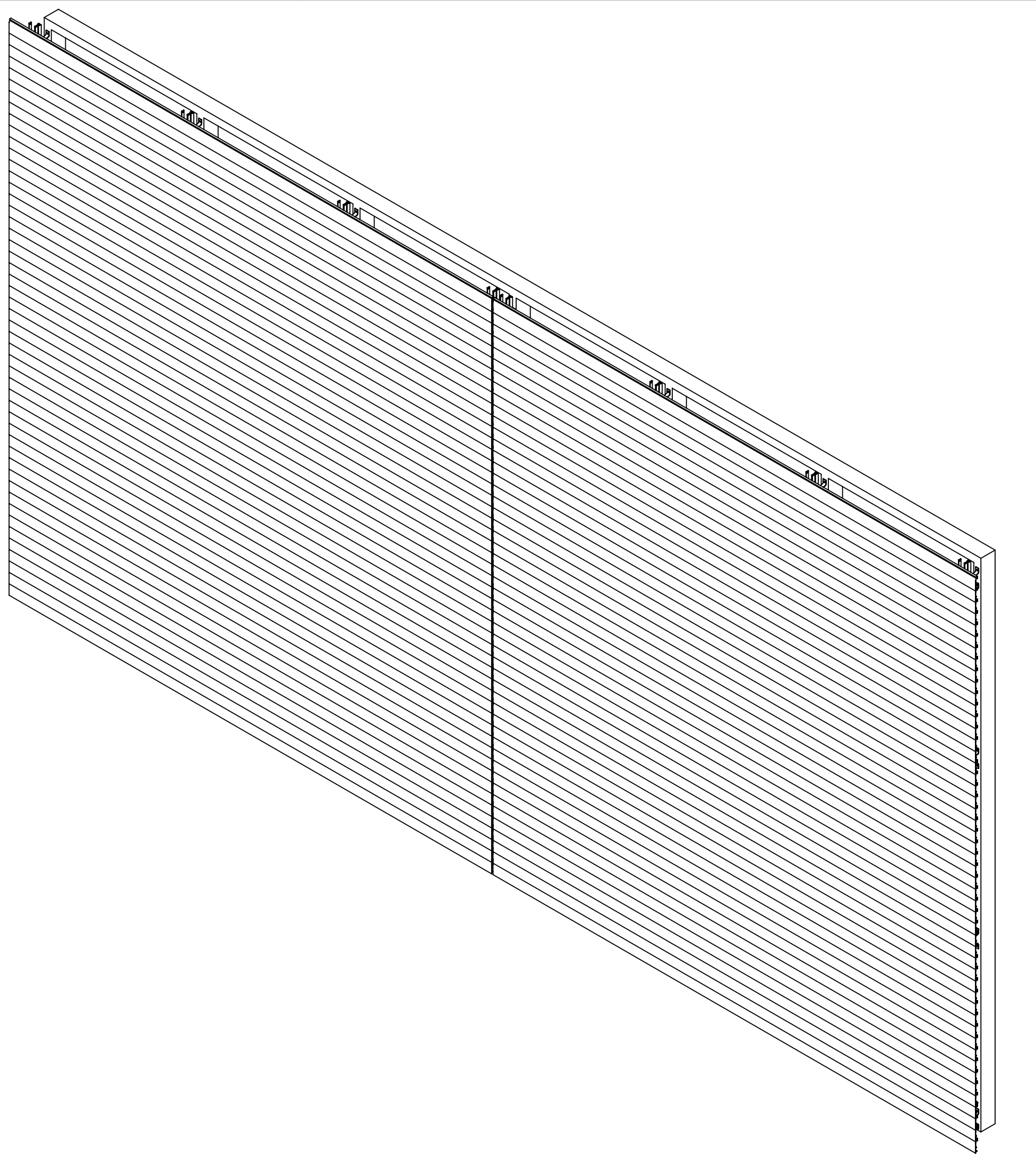
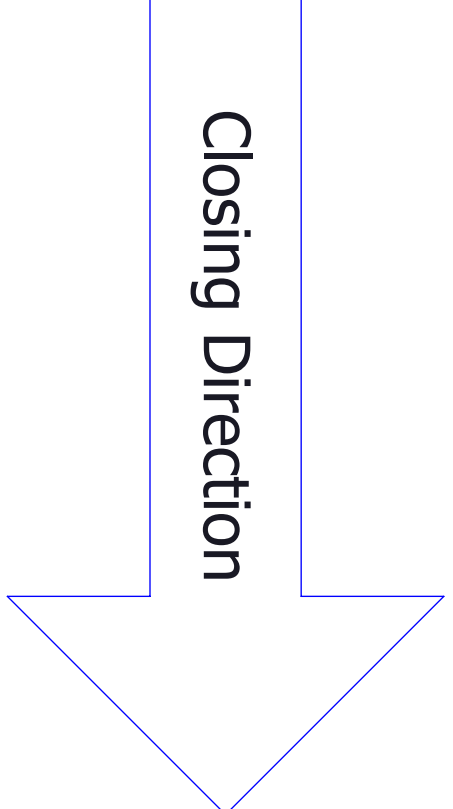


FASTENERS FOR INSTALLATION EXCLUDED (third party)				FASTENERS FOR SYSTEM ASSEMBLY INCLUDED			
CUSTOMER	DATE	19-10-2021	RACK ARMS & PARTS	Mat. Ano			
DESCRIPTION	SCALE	1:10	LOUVERS	Mat. Ano			
PROJECT NR	ENGINEER	JM	PLASTIC PARTS	Light Gray			
2110030	QTY	1	PLASTIC PARTS	2110030-01-000	24	A0	
2110030-01-000	STATE	Approved	88E	Ext			
NL 4941 V1	REV	01					



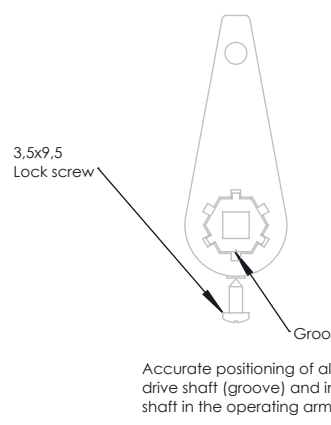
12 11 10 9 8 7 6 5 4 3 2 1

H G F E D C B A



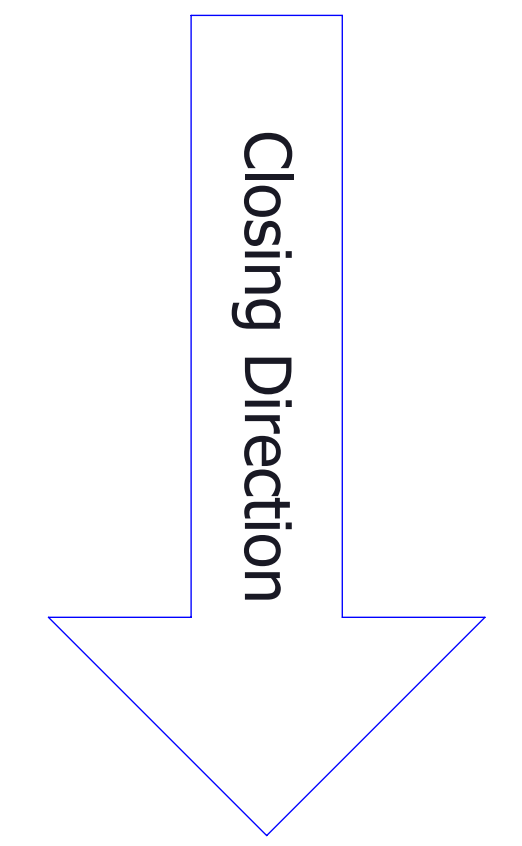
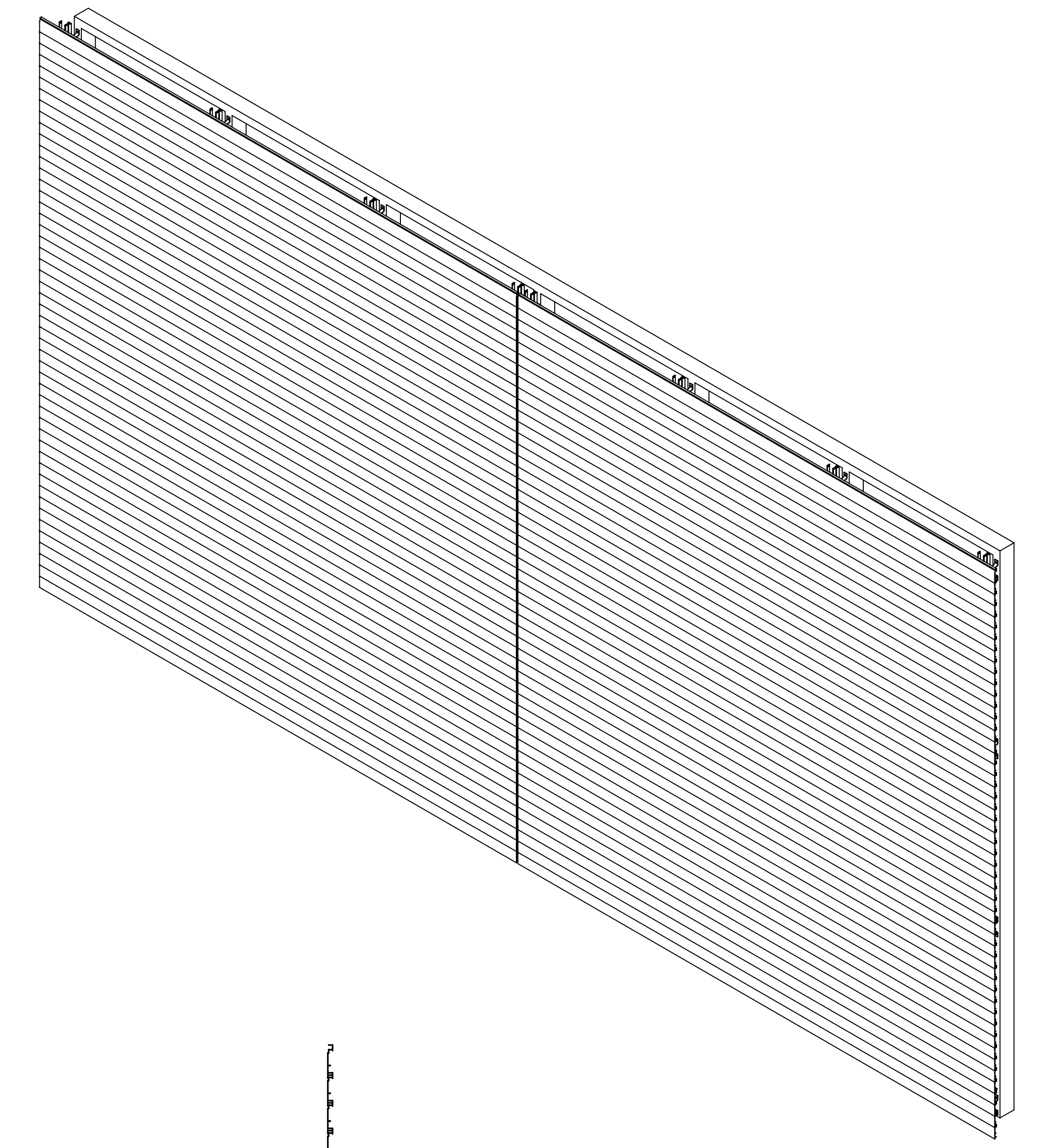
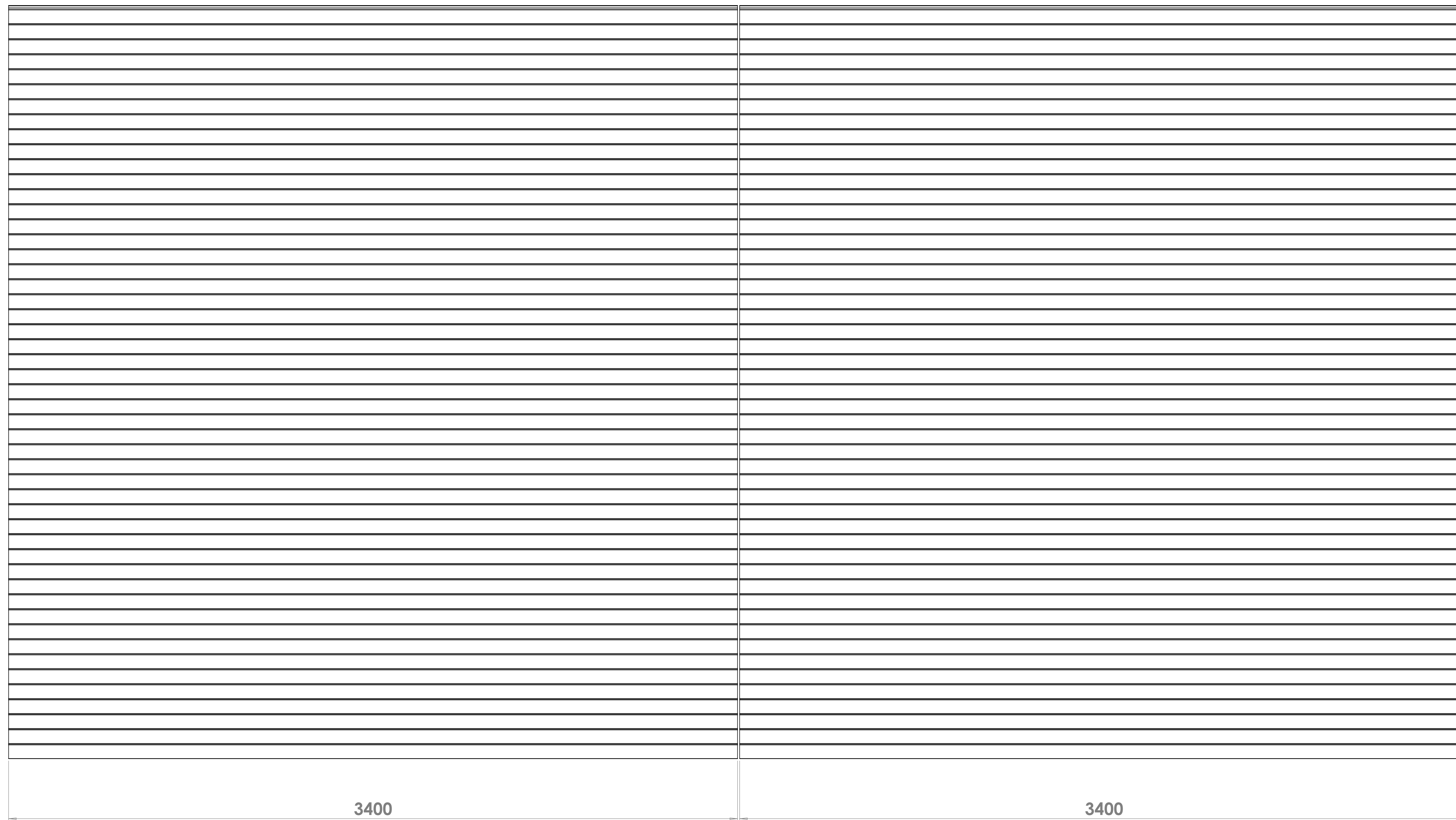
Bottom RA = Bottom Window Frame

ATTENTION



FASTENERS FOR INSTALLATION EXCLUDED (third party)				FASTENERS FOR SYSTEM ASSEMBLY INCLUDED			
MATERIAL							
CUSTOMER	DATE	19-10-2021	RACK ARMS & PARTS	Mat. Ano			
DESCRIPTION	SCALE	1:10	LOUVERS	Mat. Ano			
PROJECT NR	ENGINEER	JM	PLASTIC PARTS	Light Gray			
2110030	QTY	1					
2110030-01-000	STATE	Approved	88E	Ext	2110030-01-000	34	A0
REVISIONS	REV	01					

12 11 10 9 8 7 6 5 4 3 2 1



Louvers Excluded

ATTENTION

Accurate positioning of the blade must be maintained during assembly.

FASTENERS FOR INSTALLATION EXCLUDED (third party)				FASTENERS FOR SYSTEM ASSEMBLY INCLUDED			
MATERIAL		DATE	19-10-2021	RACK ARMS & PARTS	Not. Ans		
CUSTOMER		SCALE	1:10	LOUVERS	Not. Ans		
DESCRIPTION		ENGINEER	JM	PLASTIC PARTS	Light Gray		
PROJECT NR	2110030	QTY	1				
Customer ID	NI 4941 V1	STATE	Approved	Ext	2110030-01-000	4/4	A0
Project/Order/Rev		REV	01				

SUNSHIELD
UNIQUE LOUVERS