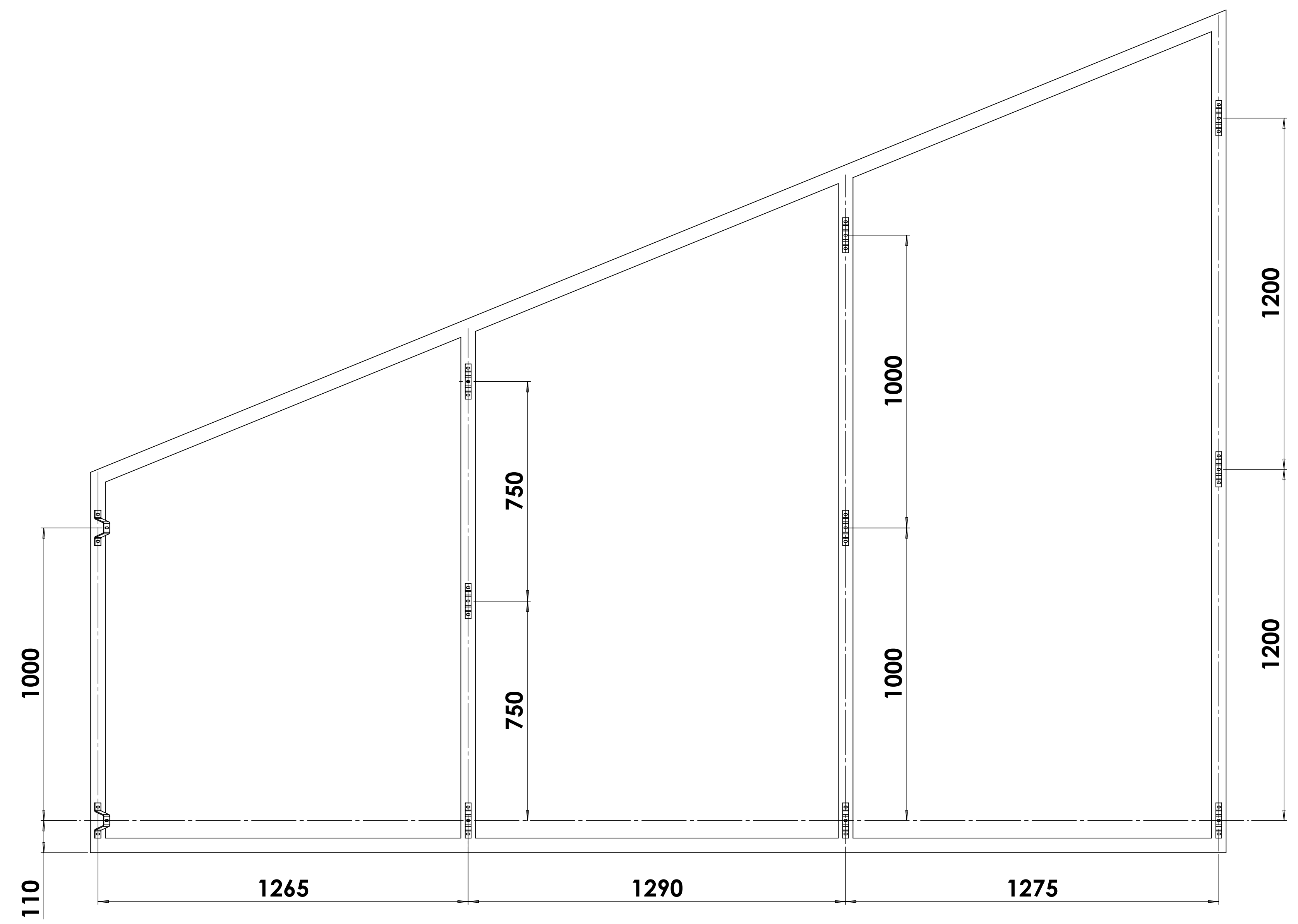
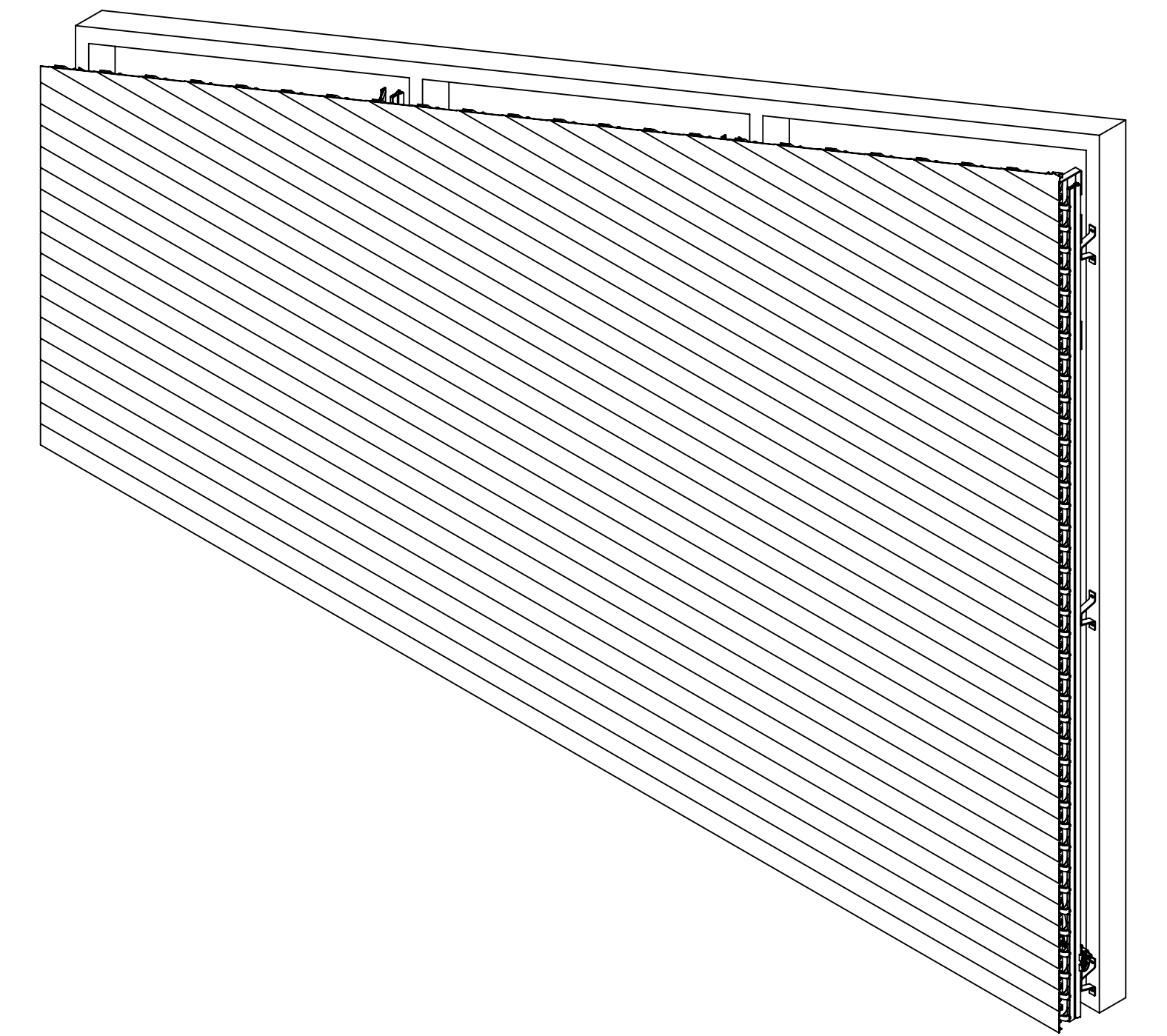
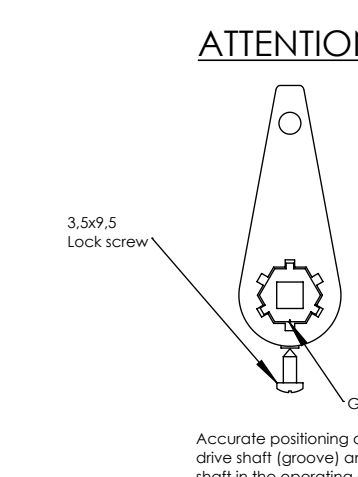


Window Frame

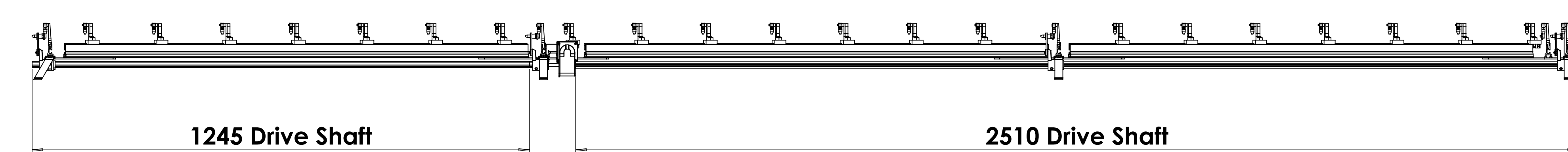
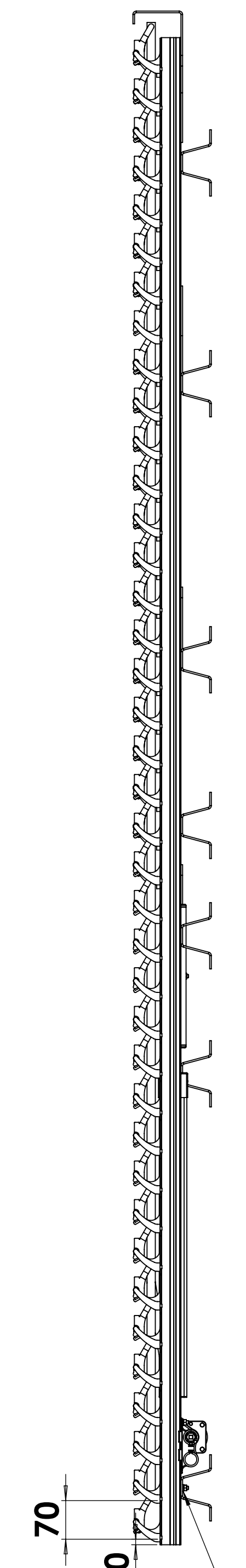
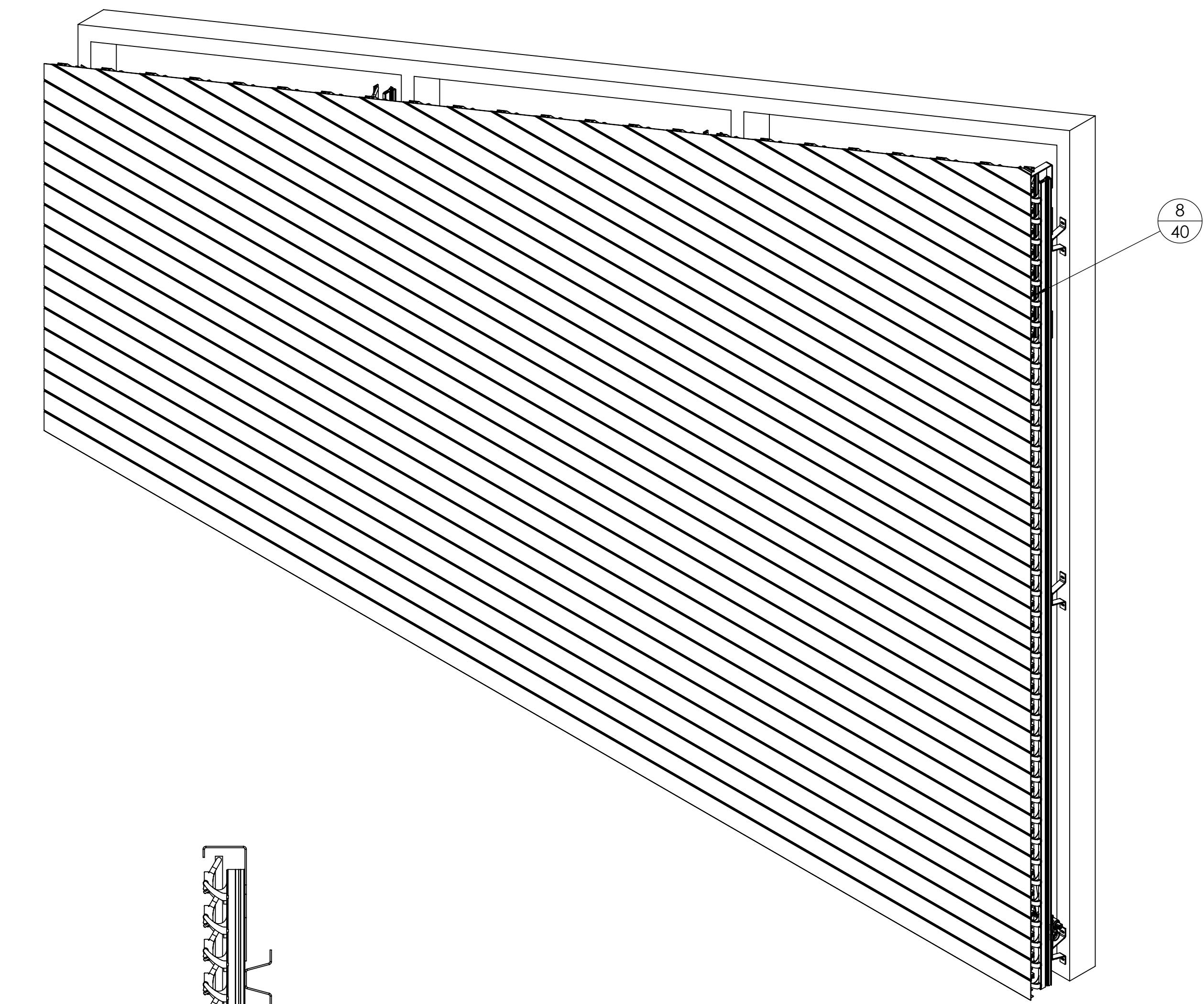
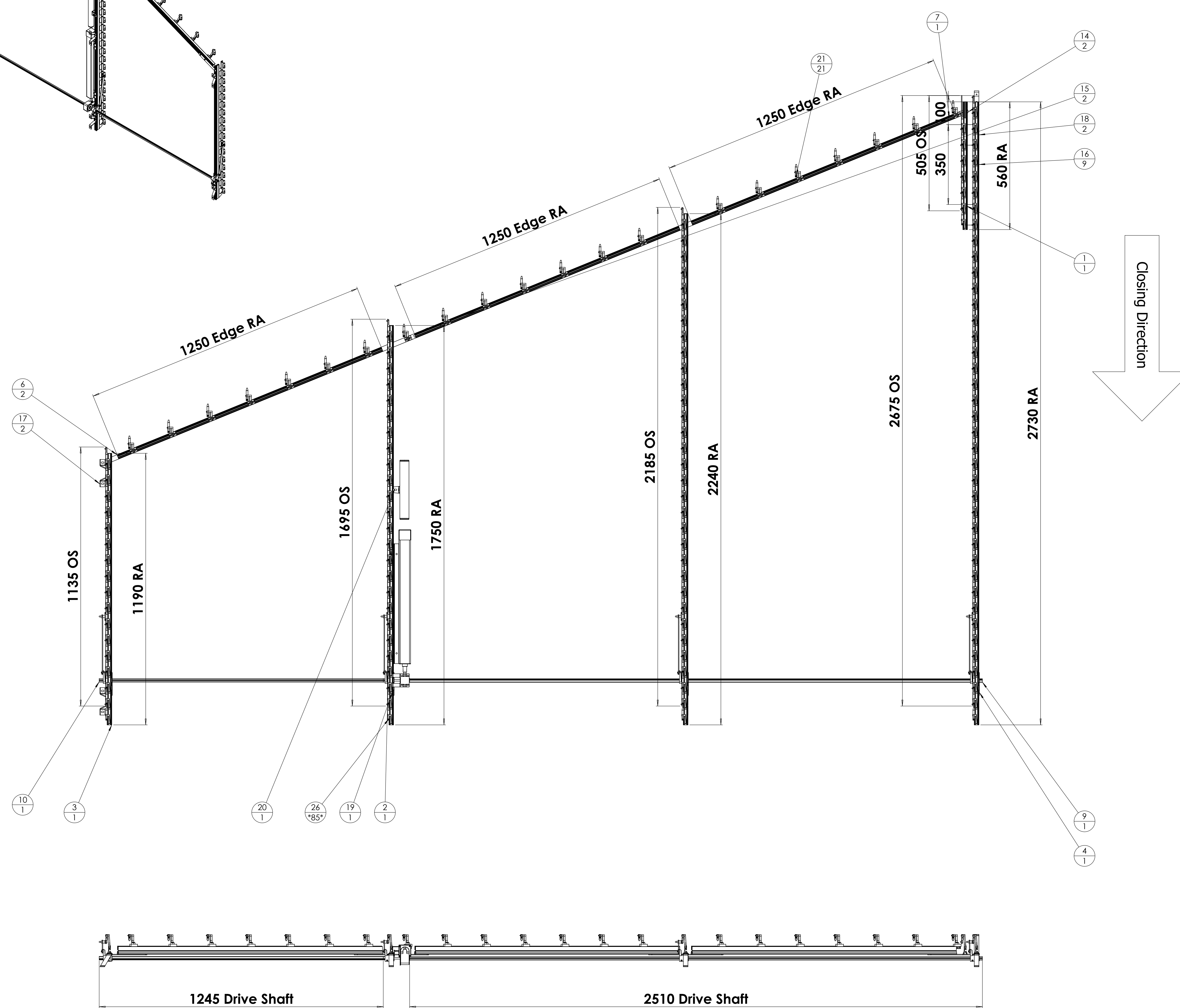
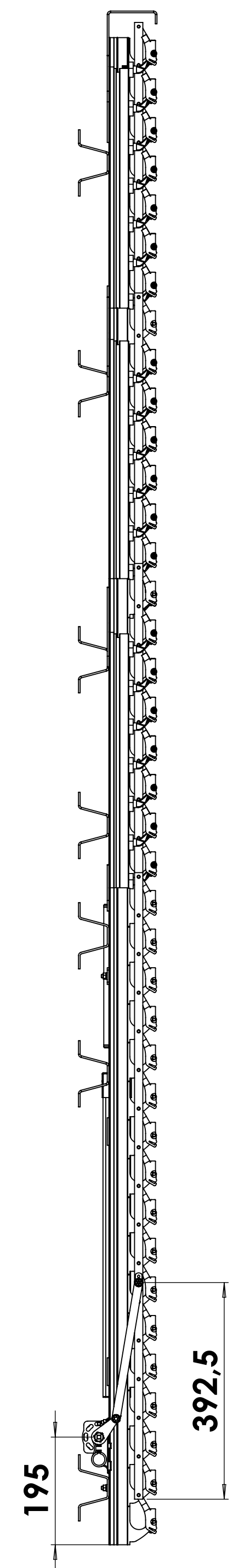
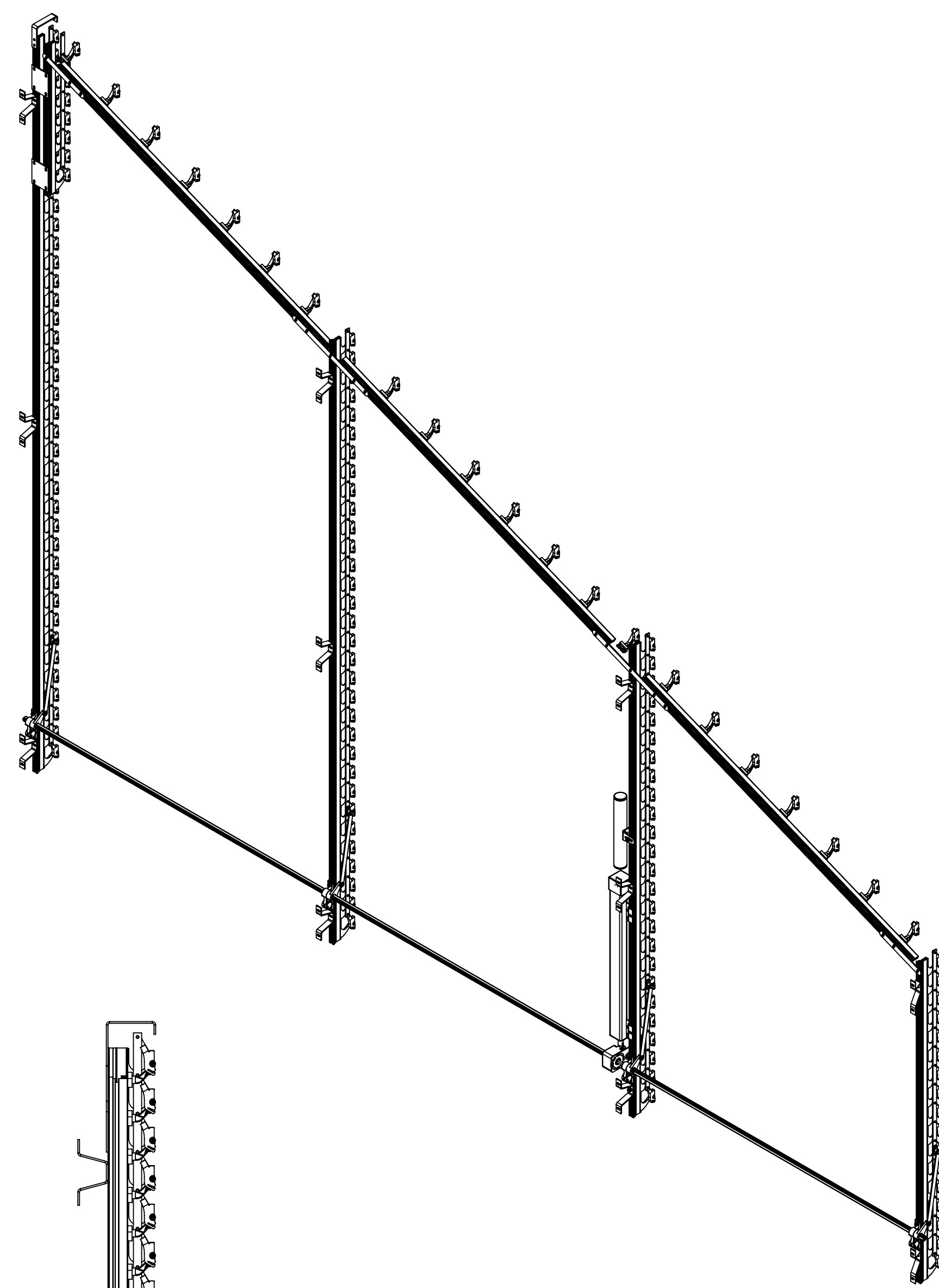


Window Frame with Brackets

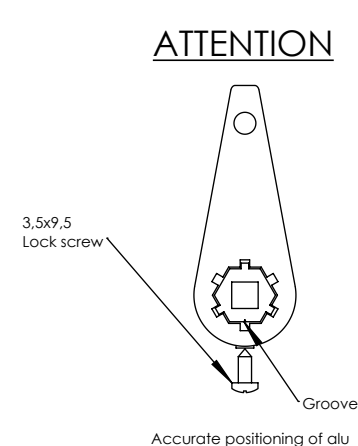


FASTENERS FOR INSTALLATION EXCLUDED (third party)				FASTENERS FOR SYSTEM ASSEMBLY INCLUDED			
MATERIAL							
CUSTOMER	DATE	16-12-2021	RACK ARMS & PARTS	RAL 9010 30% SD			
DESCRIPTION	SCALE	1:10	LOUVERS	RAL 9010 30% SD			
PROJECT NR	ENGINEER	SD	PLASTIC PARTS	White			
2107008							
2107008	QTY	1	Ext	2107008-01-000	1:4	A0	
REVISIONS	REV	B	Waiting for Approval				



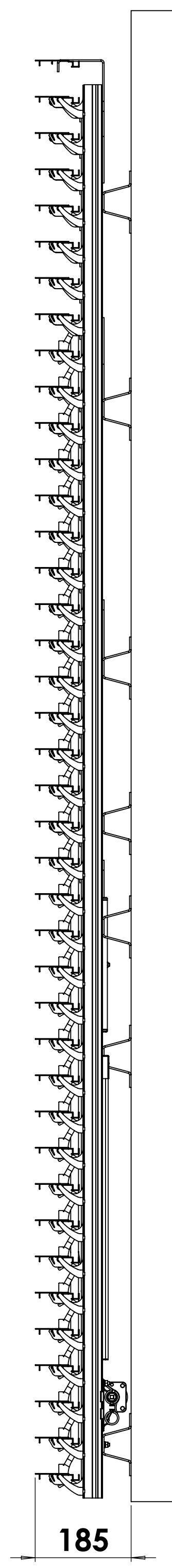
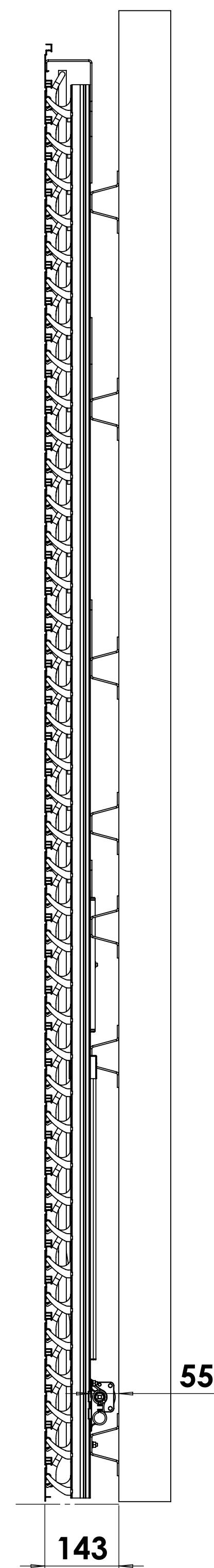
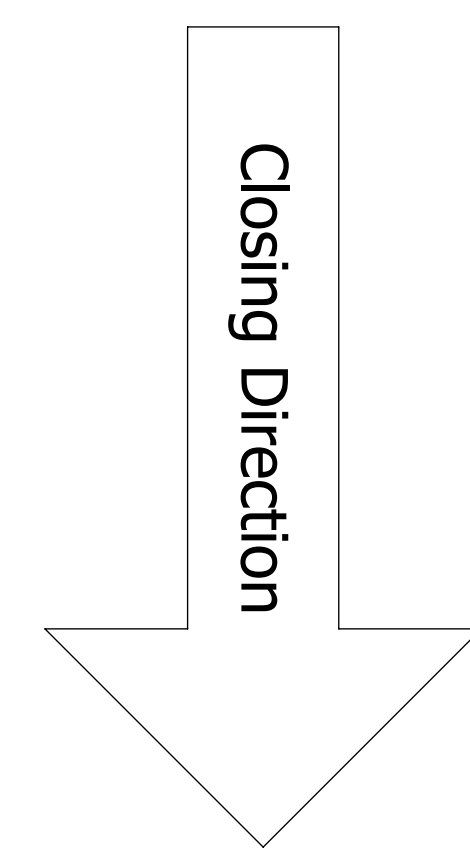
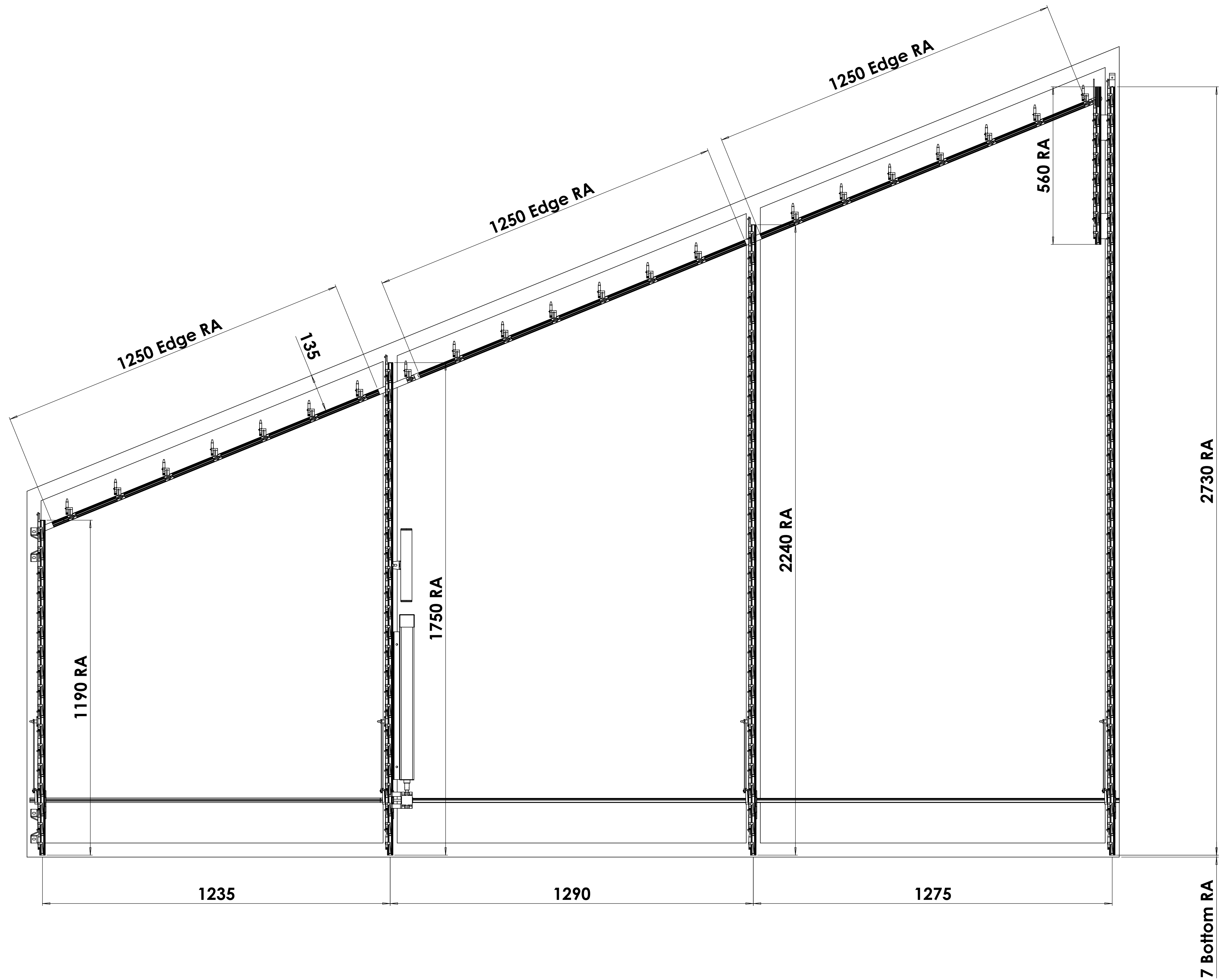
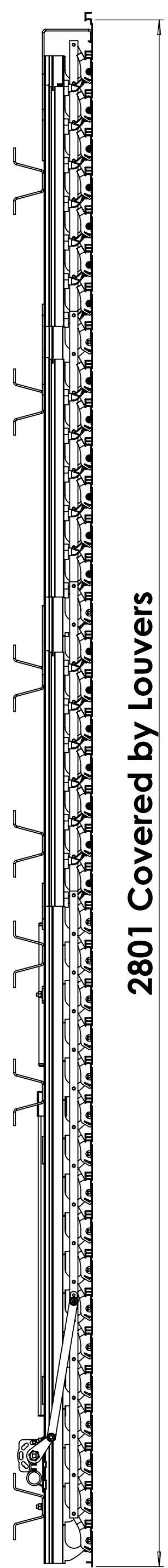
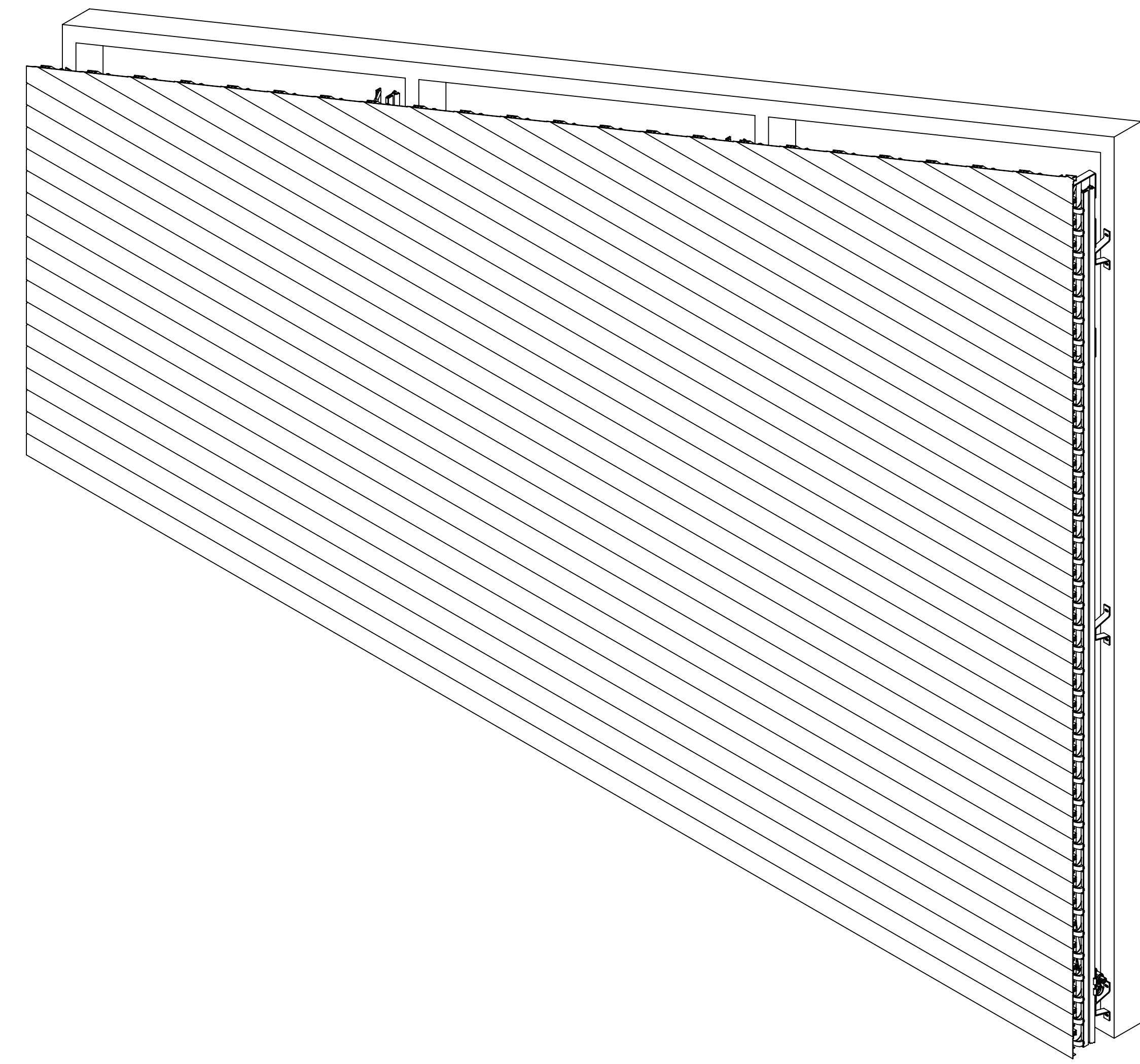
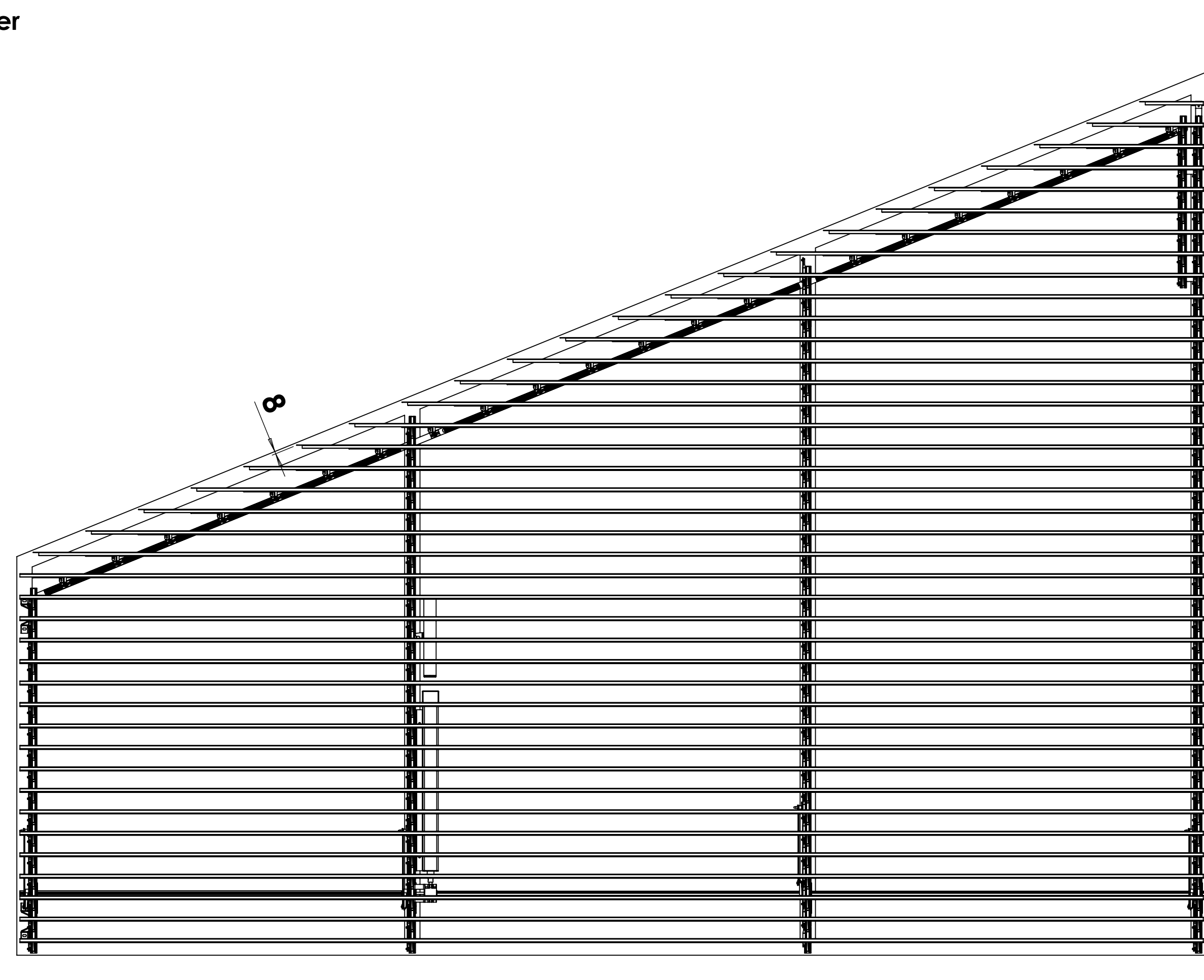
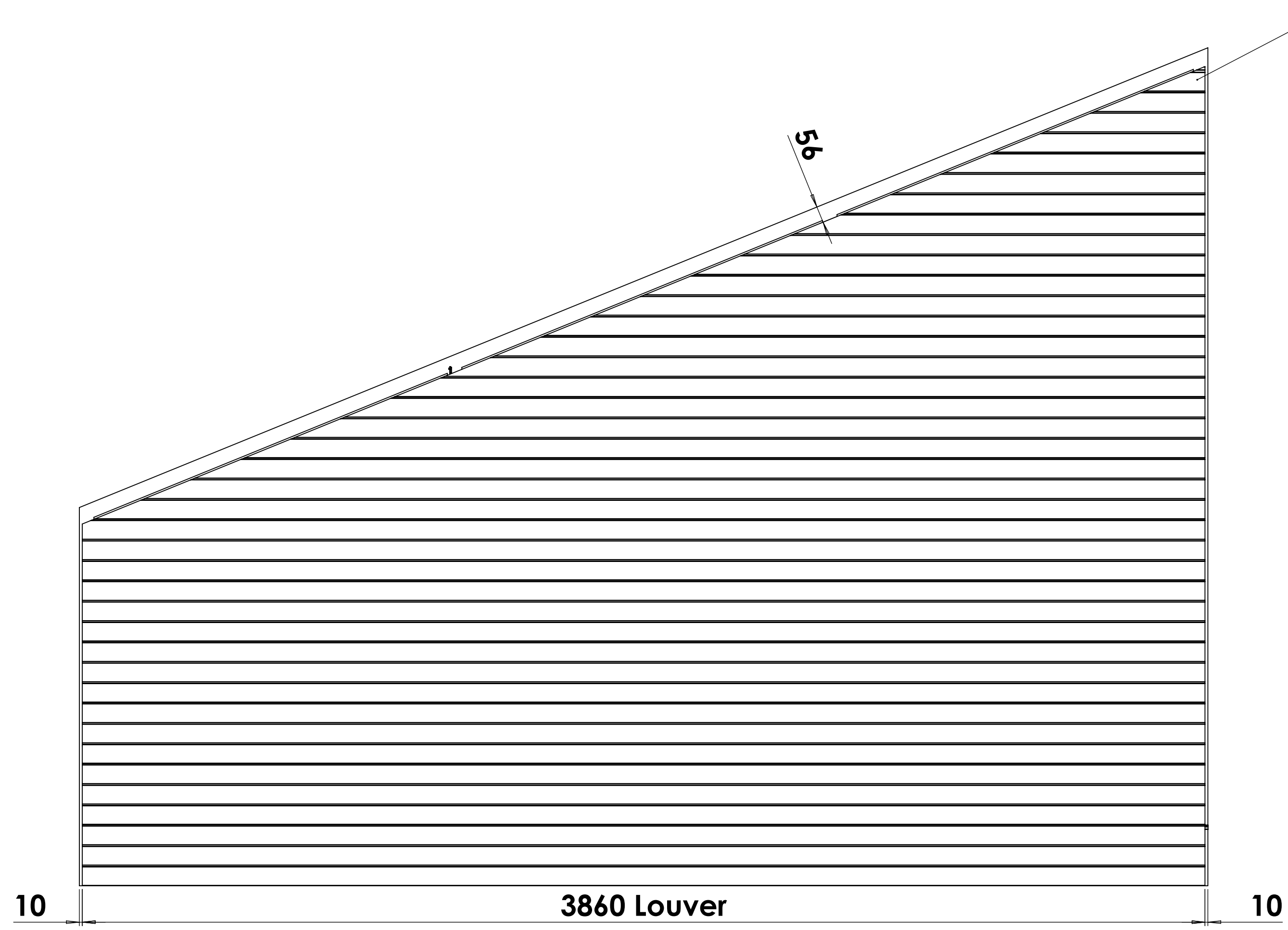


ITEM NO.	QTY.	SW-File Name (File Name)	DESCRIPTION	Comment 2
1	1	07 035 AS 88E Slave	Standard Slave Rack Arm, 35 mm, Pitch 70 (10) Assembled	L=560; Pitch 70 (10)
2	1	07 035 AS 88E	Standard Rack Arm, 35 mm, Pitch 70 (10) Assembled	L=1750; Pitch 70 (10)
3	1	07 035 AS 88E	Standard Rack Arm, 35 mm, Pitch 70 (10) Assembled	L=1190; Pitch 70 (10)
4	1	07 035 AS 88E	Standard Rack Arm, 35 mm, Pitch 70 (10) Assembled	L=2730; Pitch 70 (10)
5	1	07 035 AS 88E	Standard Rack Arm, 35 mm, Pitch 70 (10) Assembled	L=2240; Pitch 70 (10)
6	2	2107008-01-202	Edge Rack Arm, 35 mm	L=1250
7	1	2107008-01-203	Edge Rack Arm, 35 mm	L=1250
8	40	2107008-01-401	88E Louver	L=3860
9	1	2107008-01-501	Drive Shaft 14/7 mm; Standard	L=2510
10	1	2107008-01-502	Drive Shaft 14/7 mm; Standard	L=1245
11	1	28 143	Somfy SUNEAS SCR 40 IO, 13/10/230V, 5m white cable	
12	1	28 161	Somfy Situo 1 IO Pure Transmitter, White	
13	1	28 945	Hirschmann Set STAK/STAS-2 (Stak/Stas/clamp)	
14	2	58 203	Rack Arm Connector End-Strip, 3 holes (M6), 20x3mm, lg=190mm	L=190
15	2	58 305	Rack Arm Connector Center-Strip, 5 holes (M6), 20x3mm, lg=350mm	L=350
16	9	58 623	Omega H-55, 29x54x31x54x29 x 3 mm, lg=20mm	L=20
17	2	58 631	Omega H-55, 60°, lg=20mm	L=20 (60°)
18	2	58 724	Top plate 70 x 90 mm, 4 holes, S-System	
19	1	58 957 99 22	Exterior Motor kit for 7:1 IO/RTS (incl. Motorhood L=580)	L=580 (Motorhood)
20	1	58 988	Stak/Stas Protecting Kit (incl. Tube, Plugs & Bracket) (lg=250mm)	
21	21	88 300	Turnable Edge Pivot Kit S-System Pitch-70/90 (incl. short slot clip & screw)	
22	*28*	901	DIN 933 Hexagon Head Bolt M6x16	
23	*28*	908	DIN 125-1A Plain Washer M6	
24	*28*	910	DIN 934 Hexagon Nut M6	
25	*28*	911	DIN 6798-A Lock washer M6	
26	*85*	939	DIN 7981 Panhead screw 3,5 x 13	
27	1	Fixed-2-Louver-96E	Fixed Louver Bracket	T=3

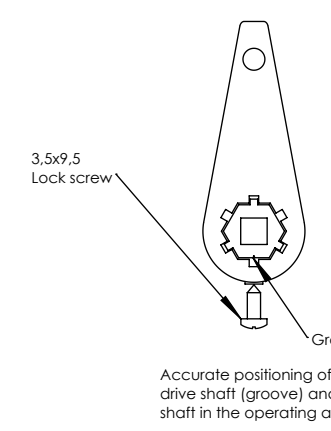


FASTENERS FOR INSTALLATION EXCLUDED (third party)		FASTENERS FOR SYSTEM ASSEMBLY INCLUDED	
CUSTOMER	DATE	16-12-2021	RAK 9010 30% SD
DESCRIPTION	SCALE	1:7.5	RAK 9010 30% SD
PROJECT NR	ENGINEER	SD	PLASTIC PARTS
STATE	REV	B	White
QTY	Waiting for Approval	88E	Ext
REV		2107008-01-000	24 A0

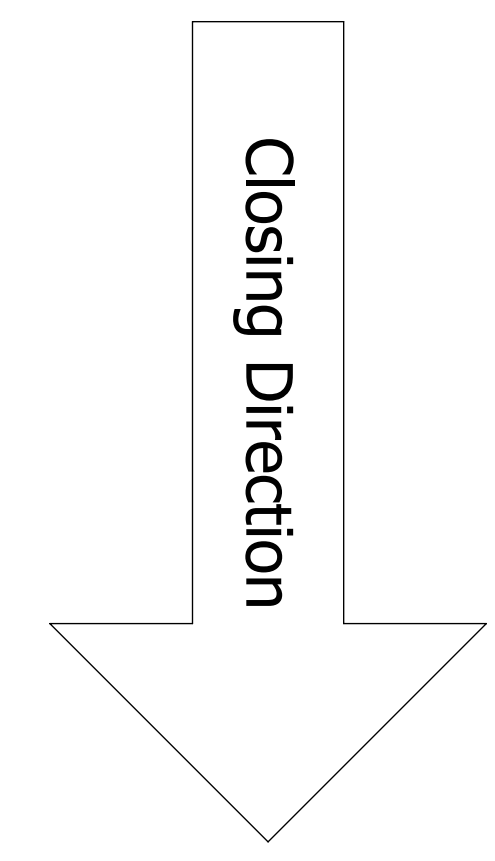
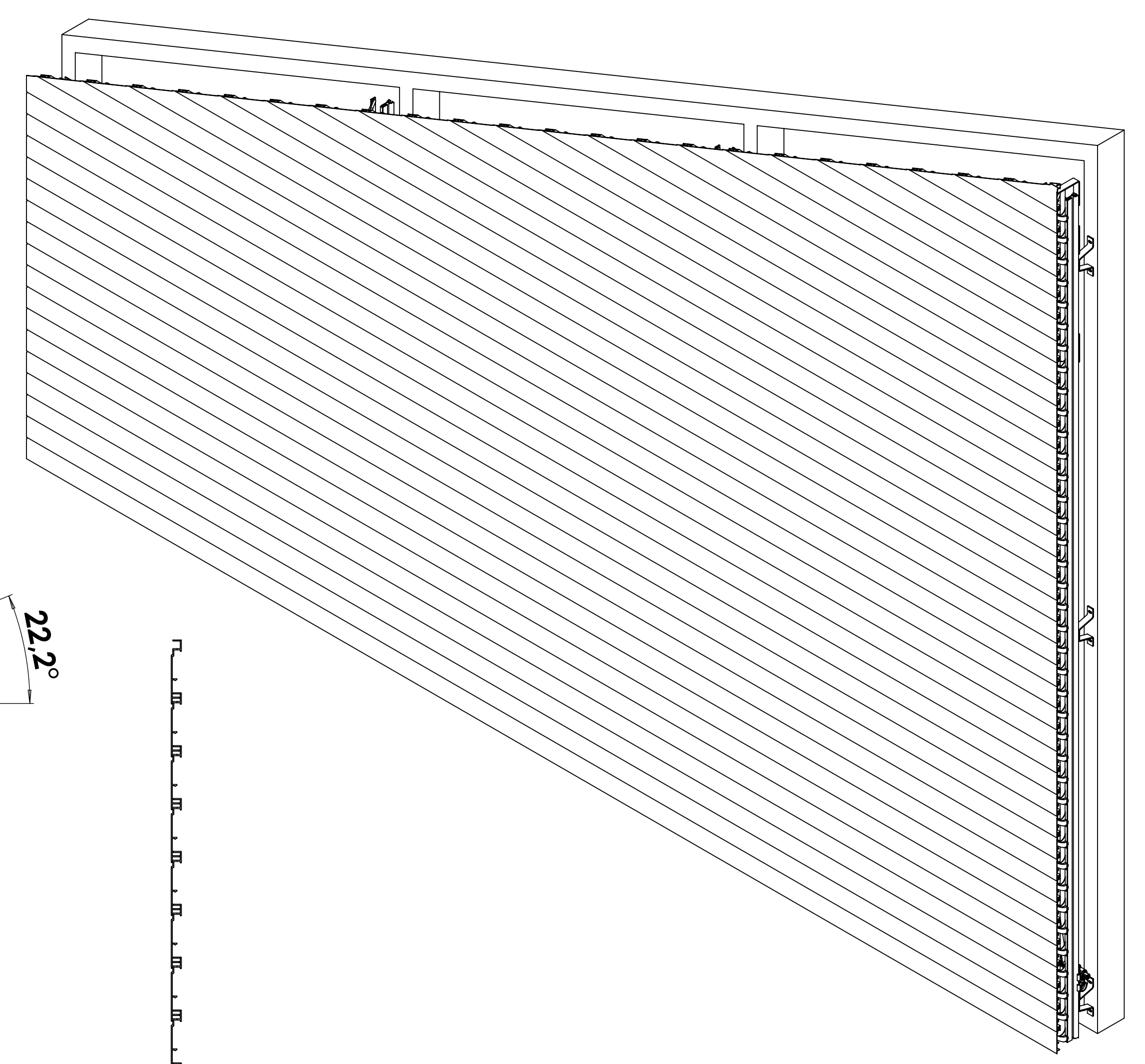
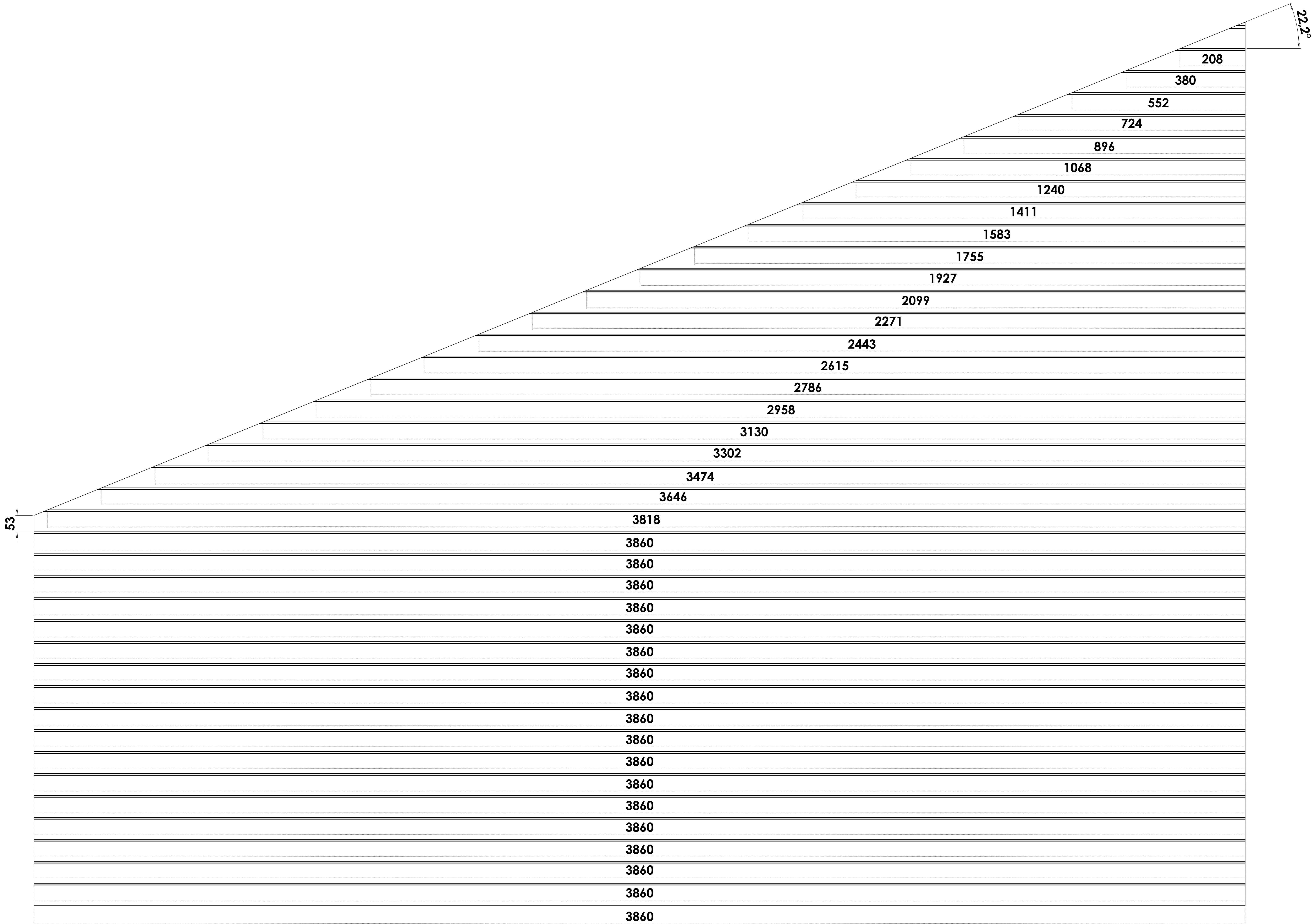




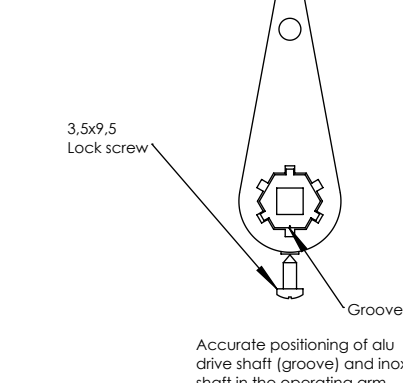
ATTENTION



FASTENERS FOR INSTALLATION EXCLUDED (third party)				FASTENERS FOR SYSTEM ASSEMBLY INCLUDED			
MATERIAL							
CUSTOMER	DATE	14-12-2021	RACK ARMS & PARTS	RAL 9010 30% SD			
DESCRIPTION	SCALE	1:7.5	LOUVERS	RAL 9010 30% SD			
PROJECT NR	ENGINEER	SD	PLASTIC PARTS	White			
2107008							
Quantity	QTY	1	STATE	Ext	2107008-01-000	34	A0
REV	REV	B					
Waiting for Approval							
SUNSHIELD				UNIQUE LOUVERS			



ATTENTION



FASTENERS FOR INSTALLATION EXCLUDED (third party)				FASTENERS FOR SYSTEM ASSEMBLY INCLUDED			
MATERIAL				RACK ARMS & PARTS	RAL 9010 30% SD		
CUSTOMER		DATE	14-12-2021	LOUVERS	RAL 9010 30% SD		
DESCRIPTION		SCALE	1:5	PLASTIC PARTS	White		
PROJECT NR	2107008	ENGINEER	SD				
QUANTITY	1	STATE	Ext				
REVISION	B	REVISION	Waiting for Approval				

