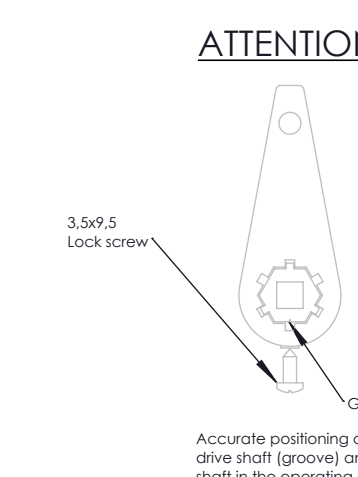
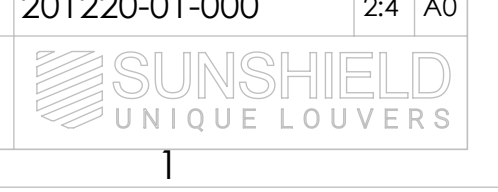
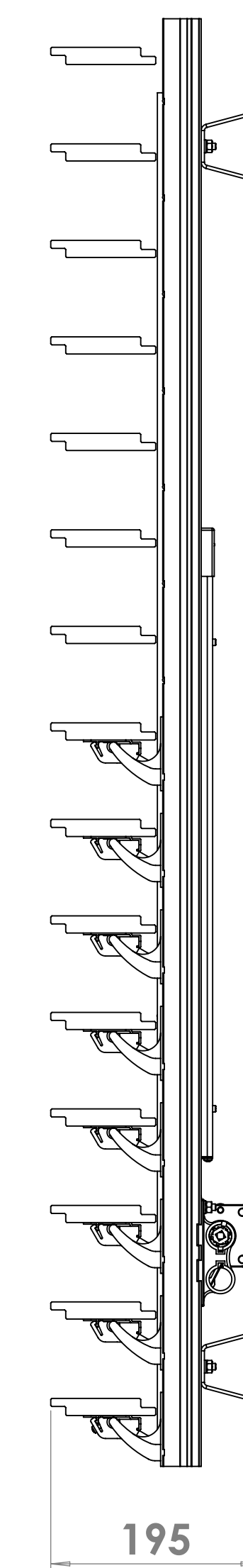
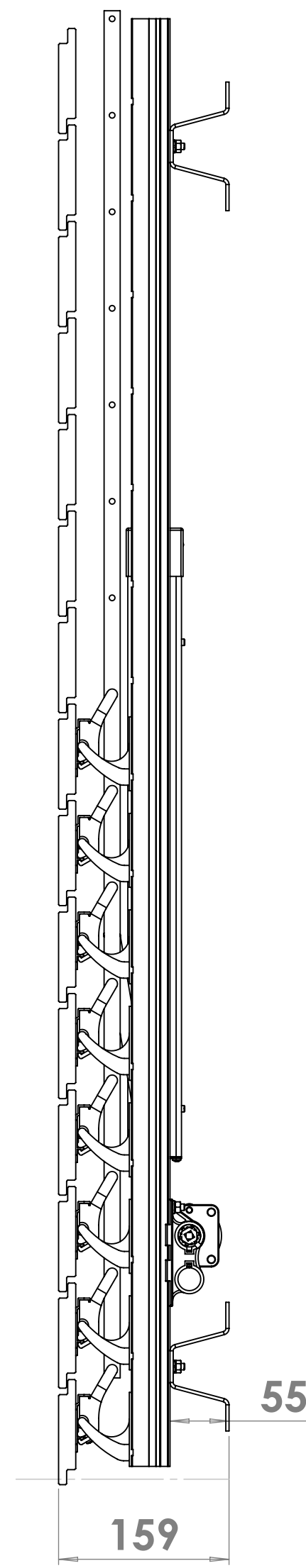
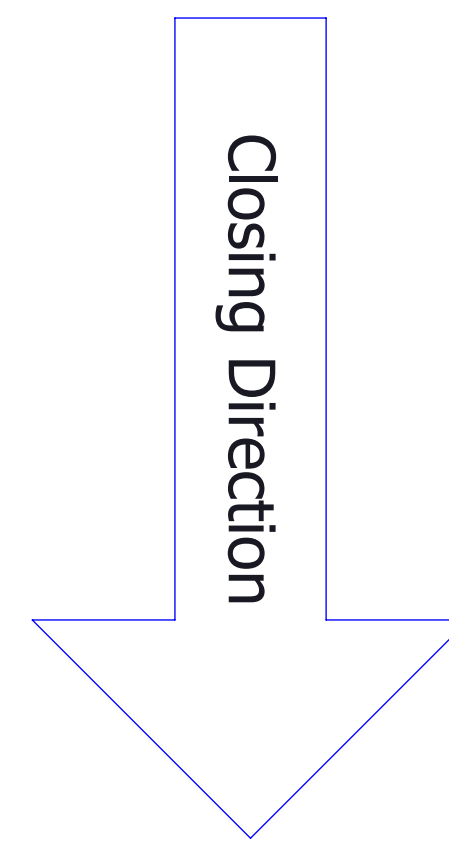
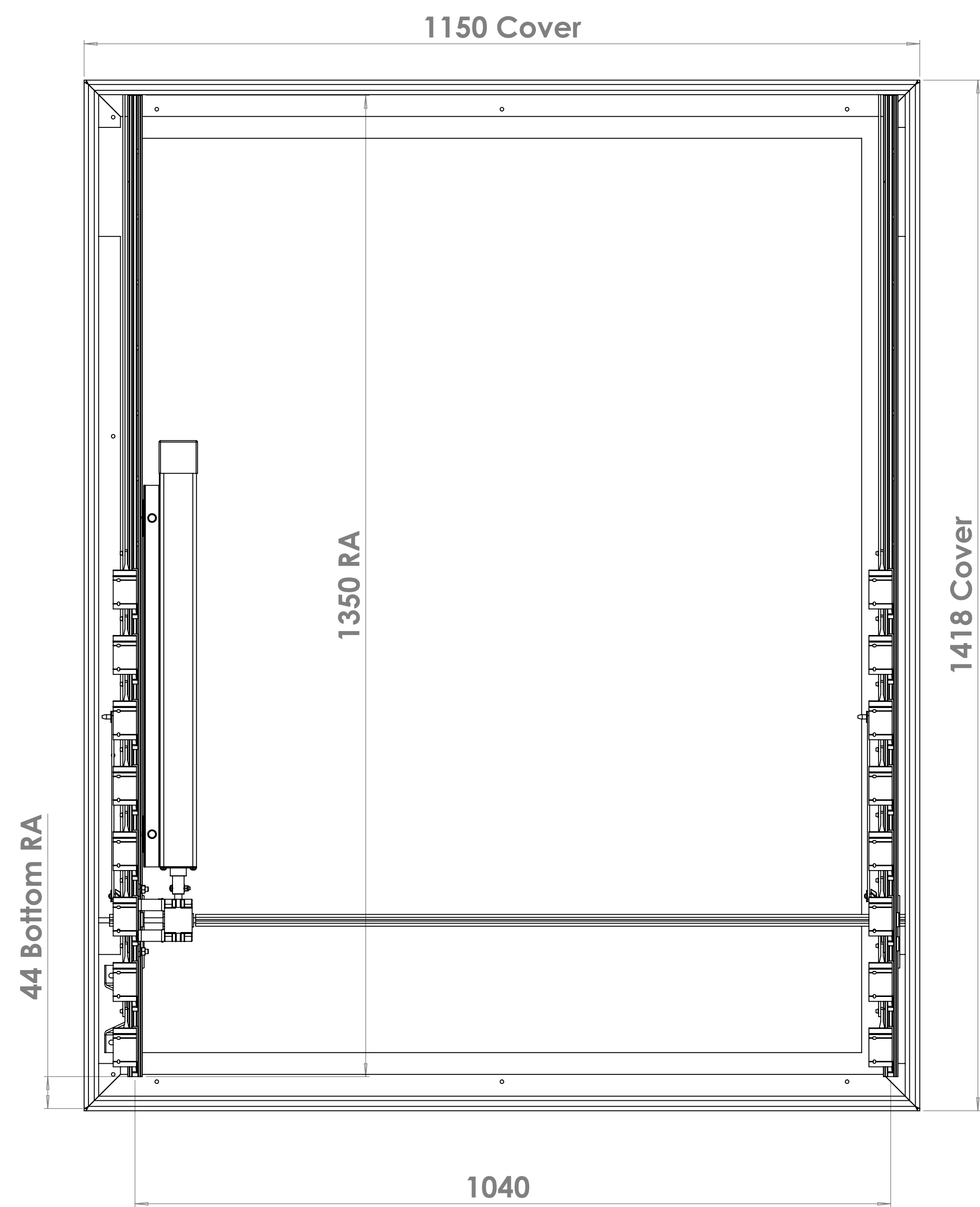
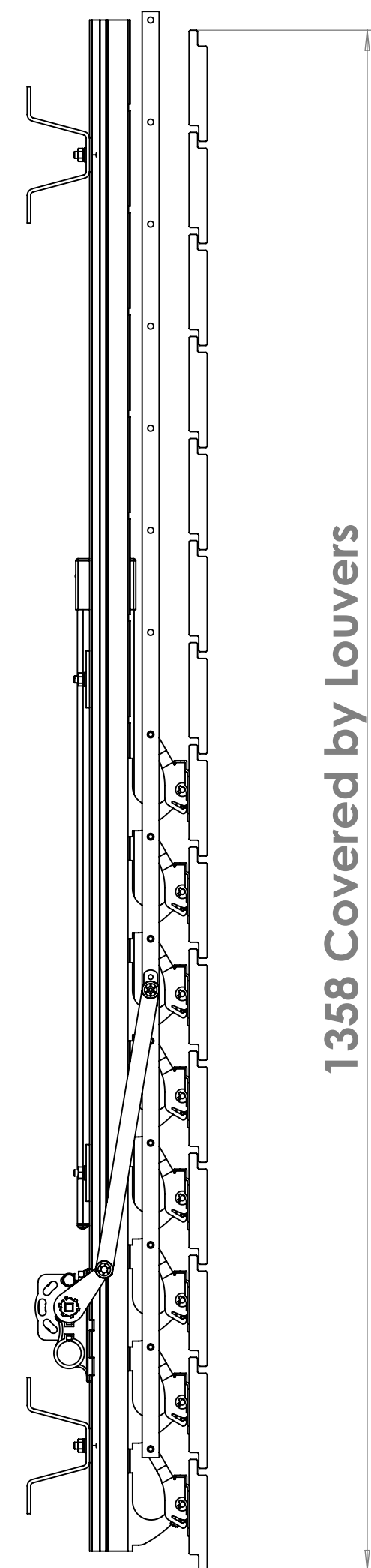
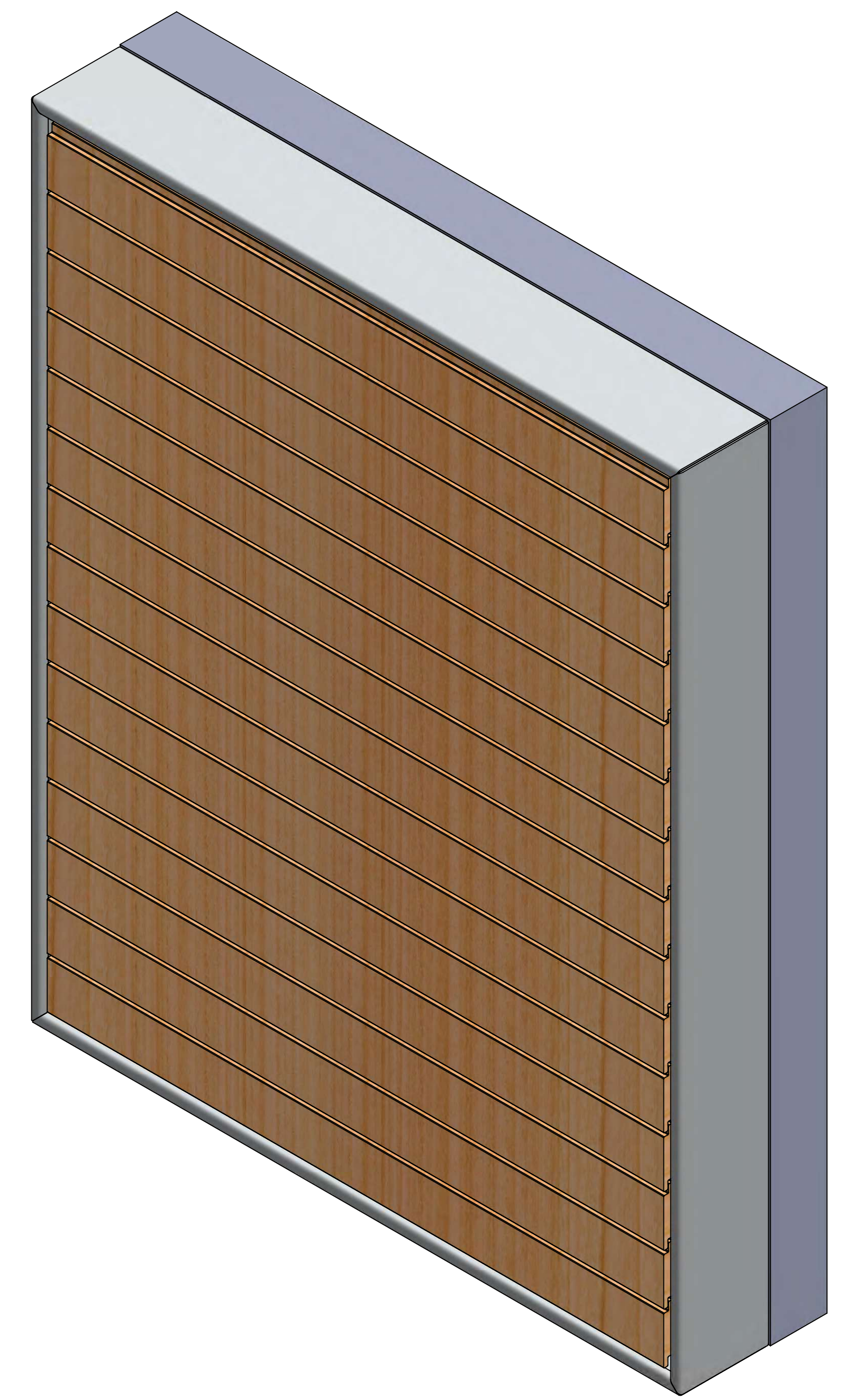
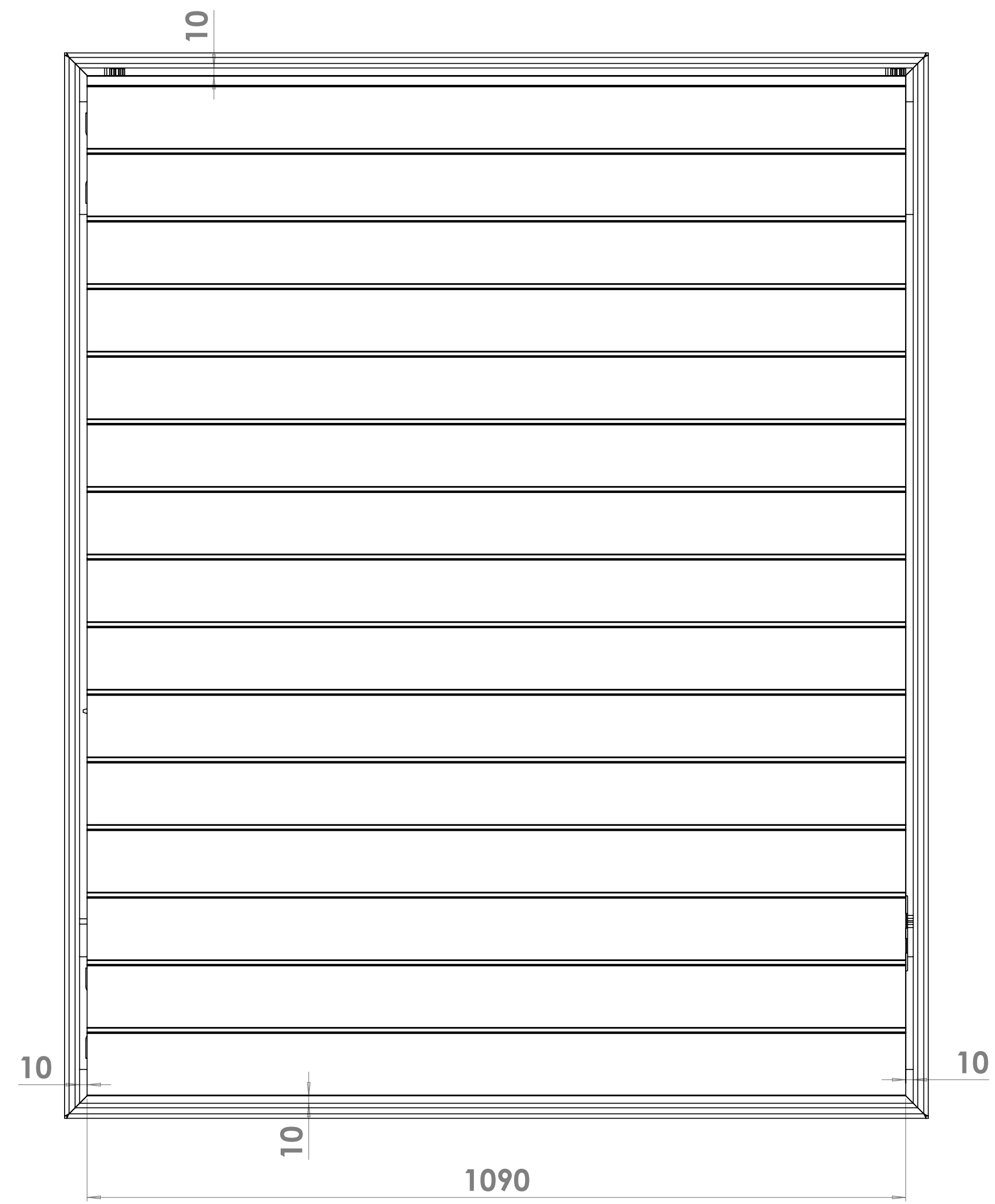


ITEM NO.	QTY.	SW-File Name (File Name)	DESCRIPTION	Comment 2
1	2	09 035 AS 98W	Standard Rack Arm, 35 mm, Pitch 90 (10) Assembled	L= 1350; Pitch 90 (10)
2	2	58 623	Omega H-55, 29x54x31x54x29 x 3 mm, lg=20mm	L=20
3	4	911	DIN 6798-A Lock washer M6	
4	4	910	DIN 934 Hexagon Nut M6	
5	4	908	DIN 125-1A Plain Washer M6	
6	4	901	DIN 933 Hexagon Head Bolt M6x16	
7	15	201220-01-401	98W Louver	L=1090
8	1	201220-01-502	Drive Shaft	L=985
9	*65°	939	DIN 7981 Panhead screw 3,5 x 9,5	
10	1	58 957 99 22	Exterior Motor kit for 7:1 IO/RTS (incl. Motorhood L=580)	L=580 (Motorhood)
11	1	28 143	Somfy SUNEa SCR 40 IO, 13/10/230V, 5m white cable	
12	1	28 161	Somfy Situo 1 IO Pure Transmitter, White	
13	1	28 965	Hirschmann Set STAK/STAS-2 (Stak/Stas/clamp)	
14	2	58 631	Omega H-55; 60°, lg=20mm	L=20 (60°)
15	*30°	939	DIN 7981 Panhead screw 3,5 x 13	
16	2	201220-01-301	Side Cover L-R	L=1418
17	2	201220-01-302	Side Cover T-B	L=1150 ⁰¹



FASTENERS FOR INSTALLATION EXCLUDED (third party)				FASTENERS FOR SYSTEM ASSEMBLY INCLUDED			
CUSTOMER	DATE	SCALE	ENGINEER	RACK ARMS & PARTS	LOUVERS	PLASTIC PARTS	WRC
201220	17-12-2020	1:5	JM				
STATE	QTY	REV	REV	Approved	98W	Ext	201220-01-000
	1	01	01				24 A0





ATTENTION

3.5x3 Lock Washer

FASTENERS FOR INSTALLATION EXCLUDED (third party)		FASTENERS FOR SYSTEM ASSEMBLY INCLUDED	
MATERIAL		RACK ARMS & PARTS	RAL 9005 3075
CUSTOMER	DATE 17-12-2020	LOUVERS	WRC
DESCRIPTION	SCALE 1:5	PLASTIC PARTS	Black
PROJECT NR 201220	ENGINEER JM	QTY	REV
Approved for	STATE	Approved	98W
REVISION	REV 01	DATE	201220-01-000
SUNSHIELD UNIQUE LOUVERS		SHEET 34 A0	

