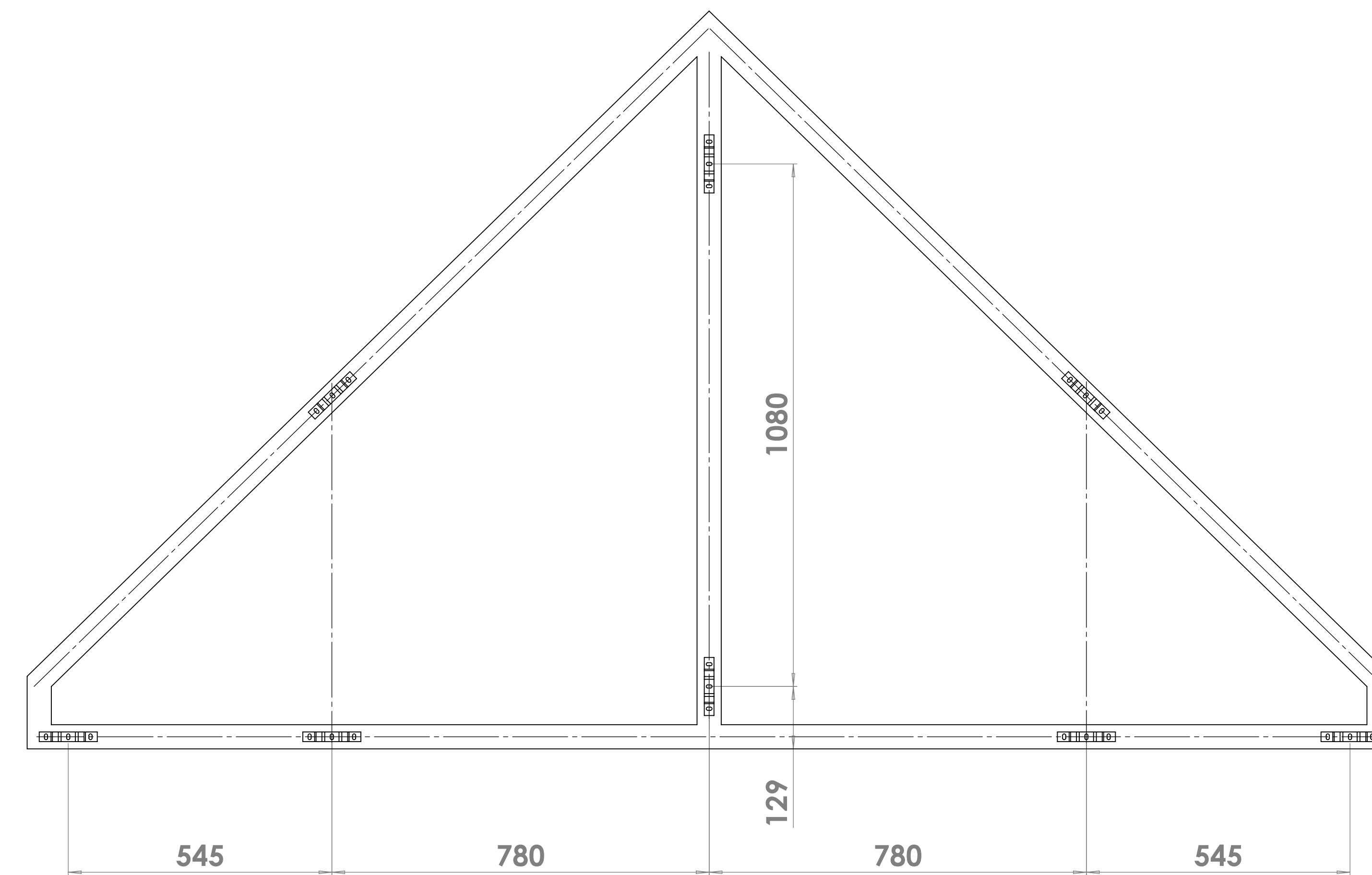
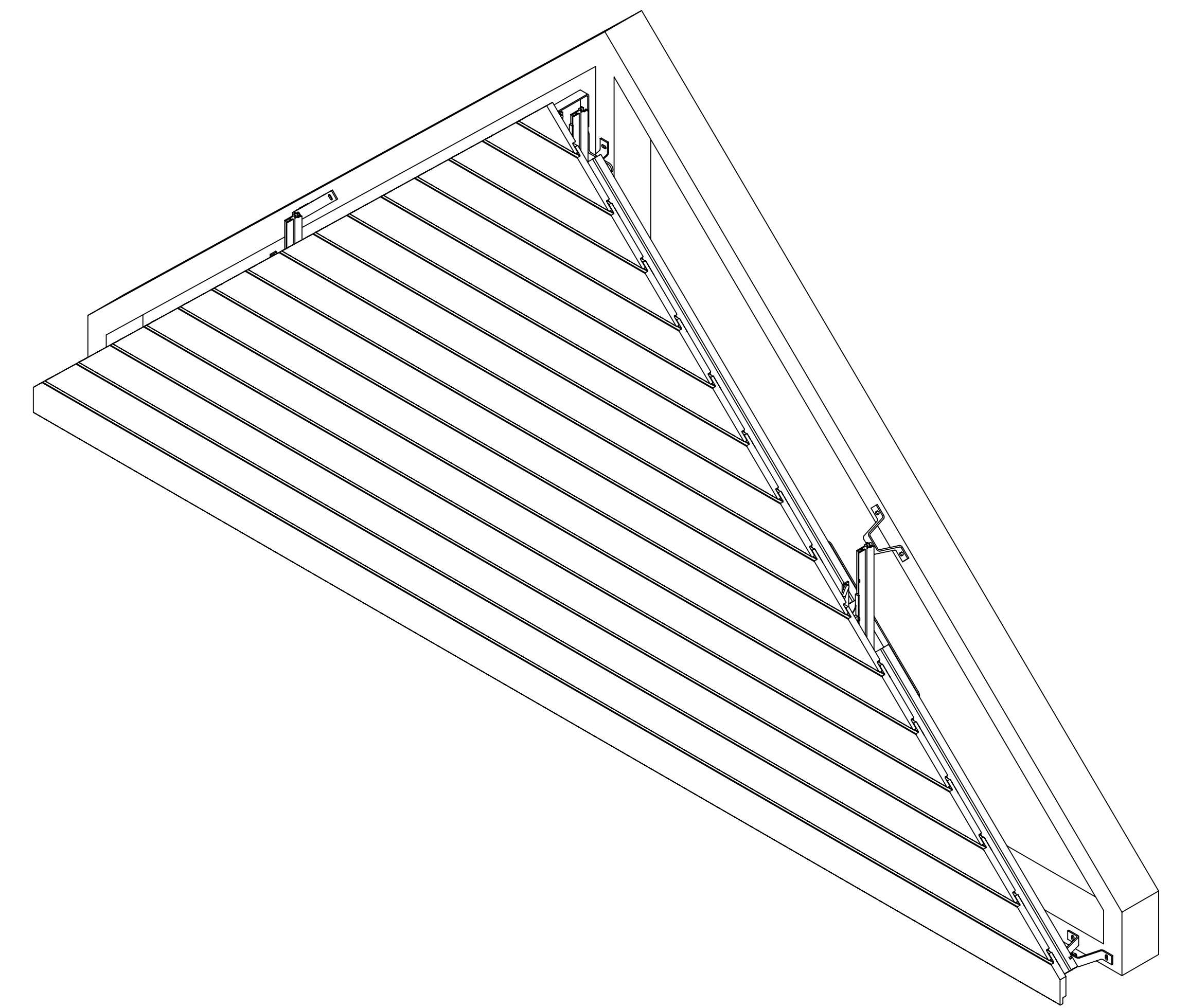
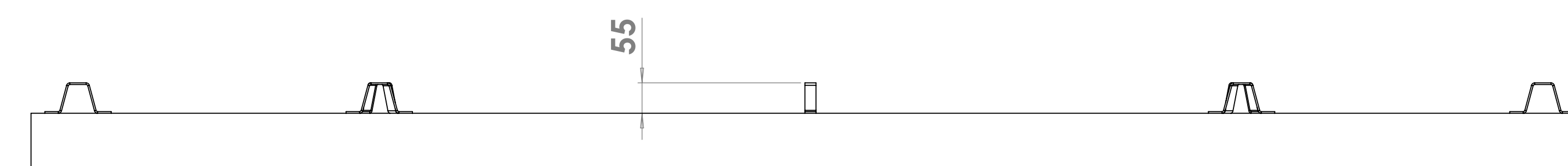


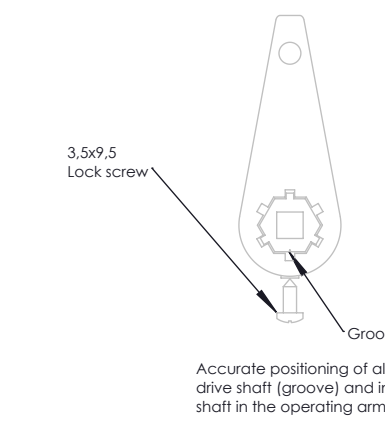
Window Frame



Window Frame with Brackets

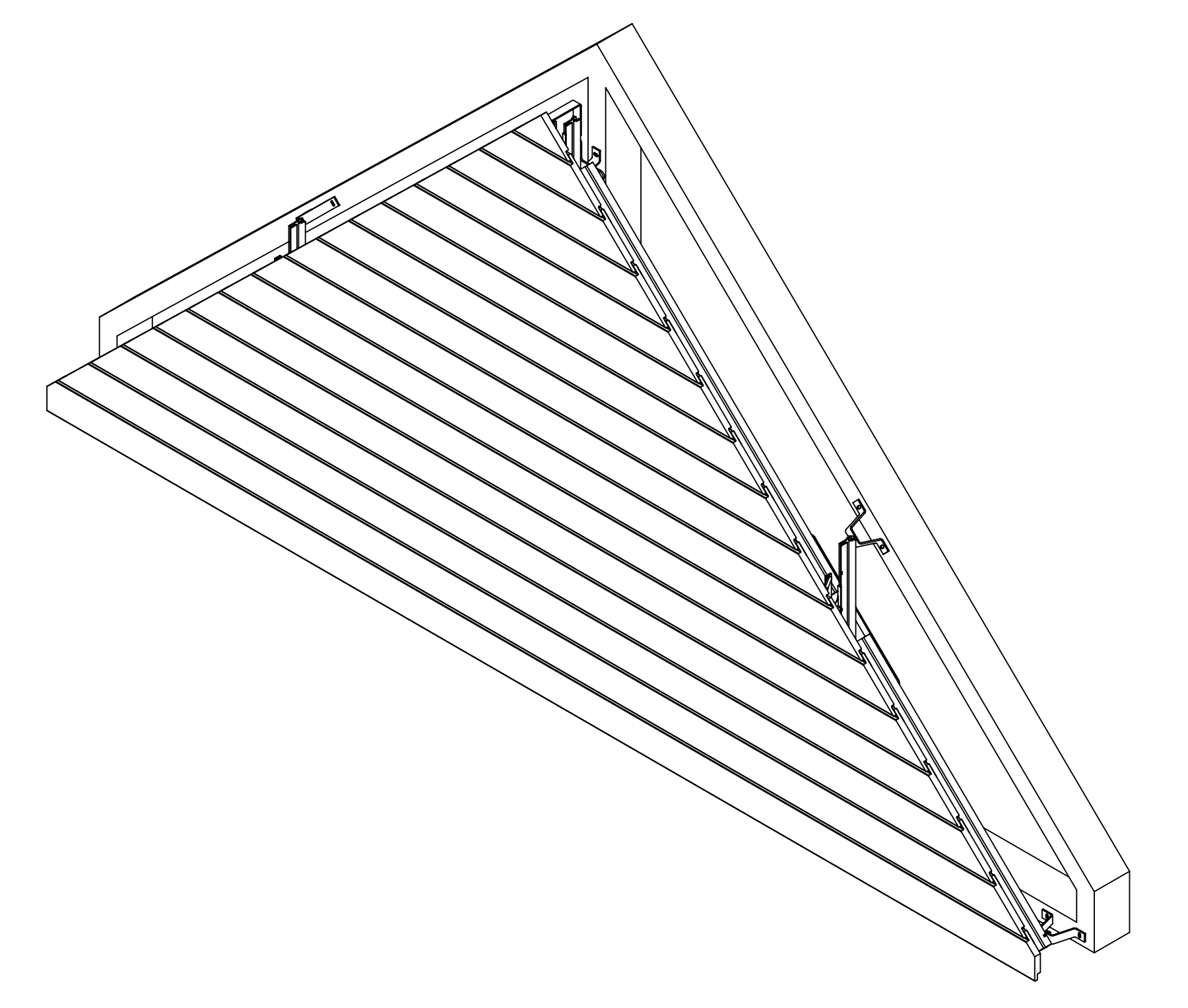
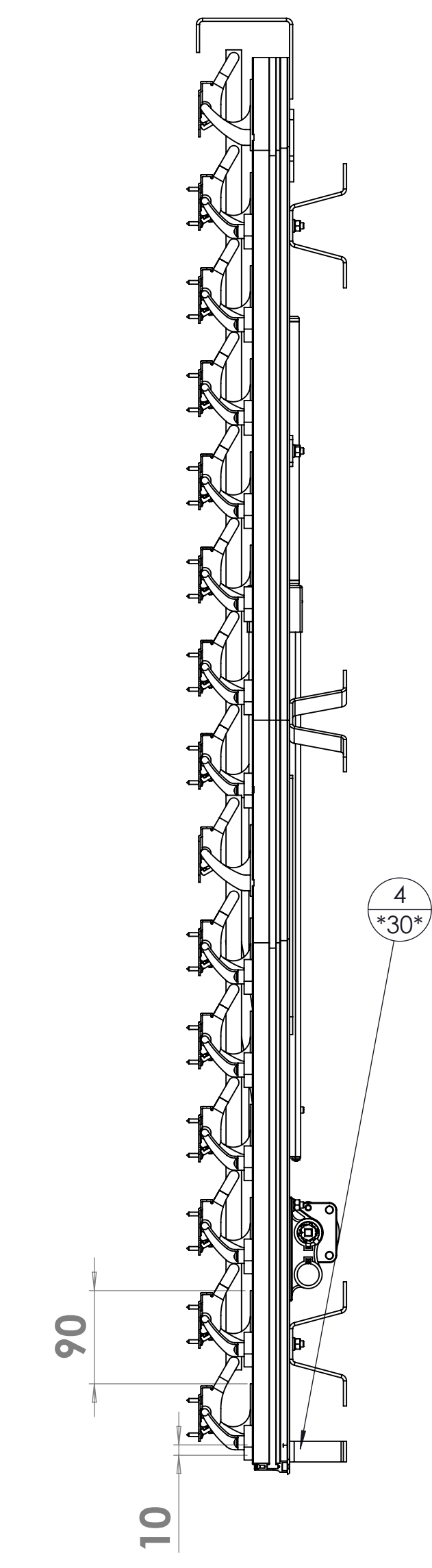
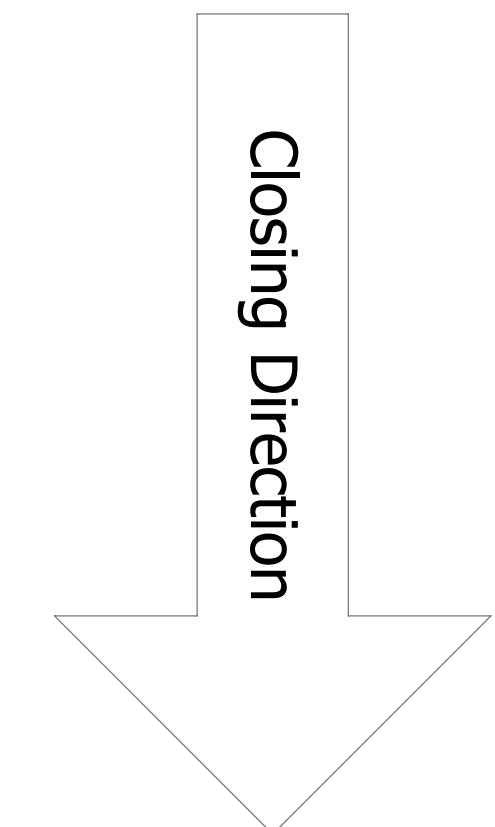
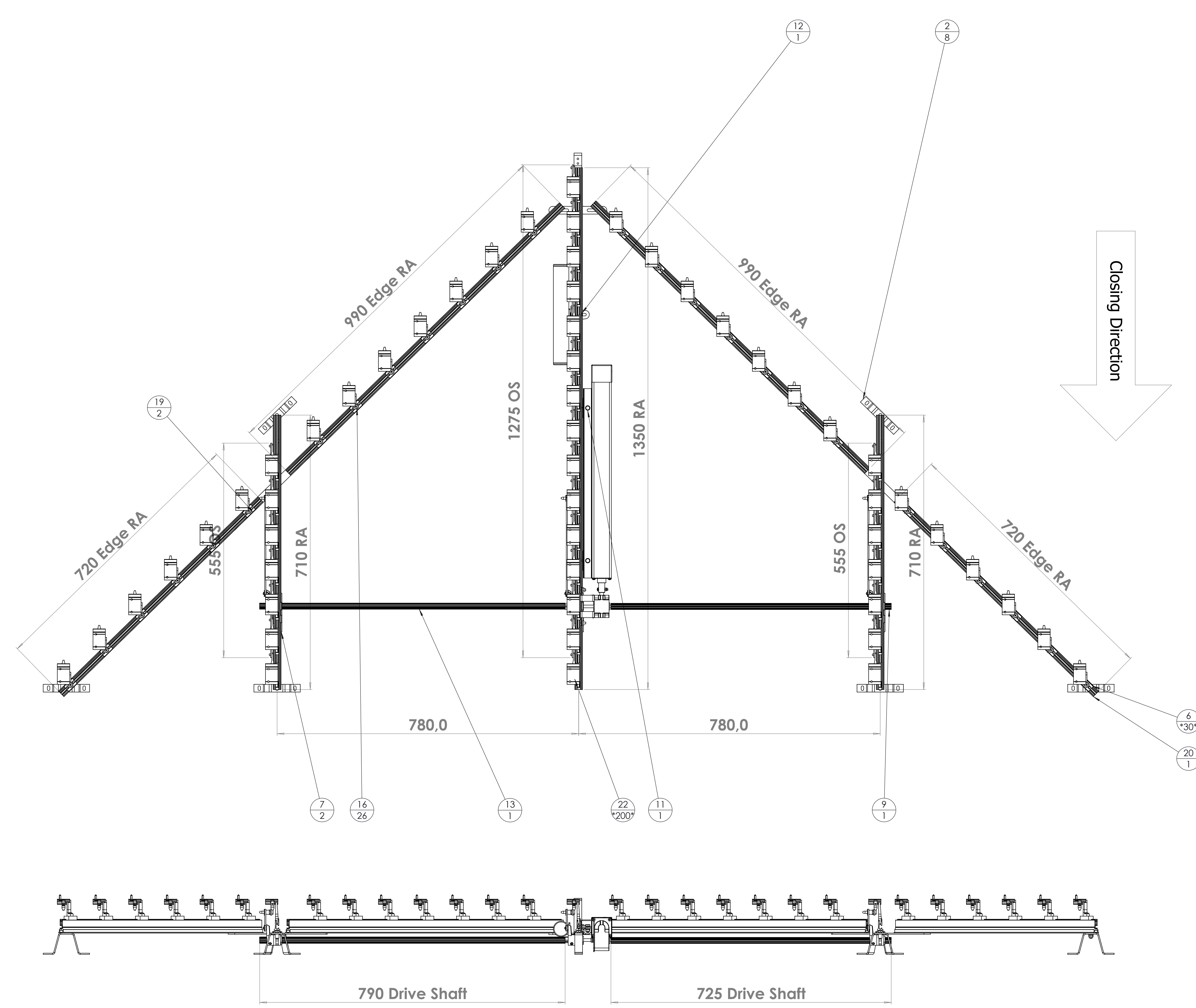
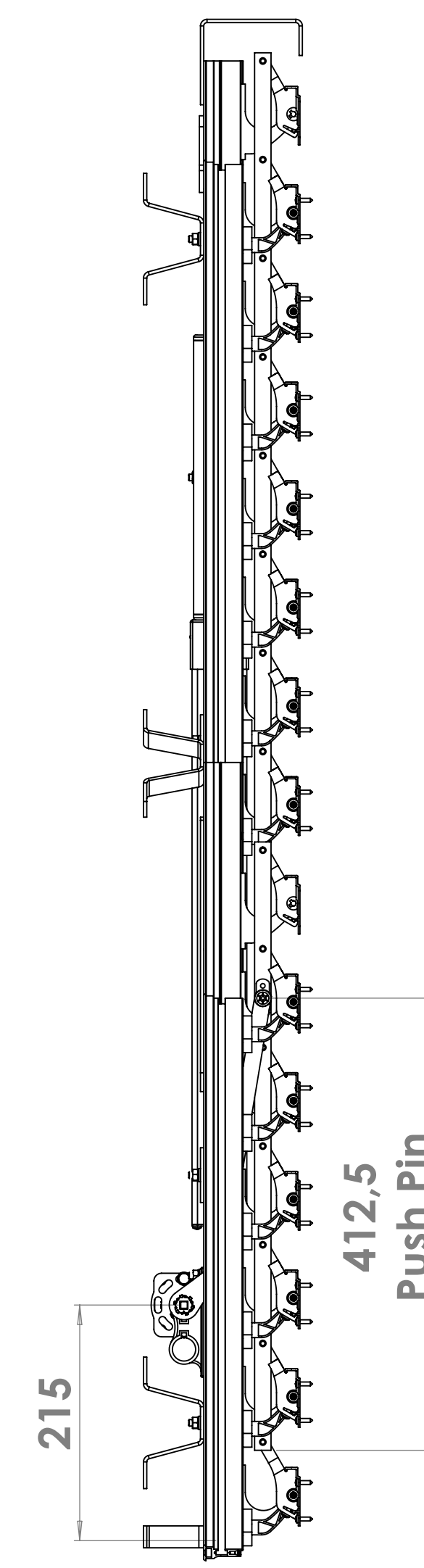


ATTENTION

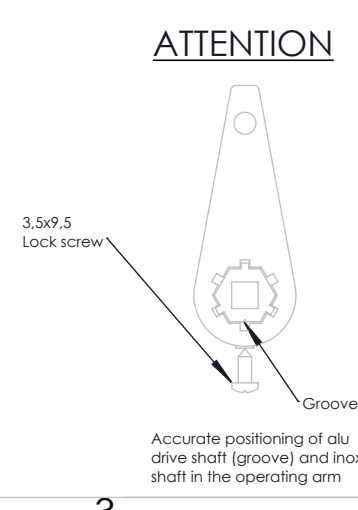


FASTENERS FOR INSTALLATION EXCLUDED (third party)		FASTENERS FOR SYSTEM ASSEMBLY INCLUDED	
MATERIAL		RACK ARMS & PARTS	RAL 7015 30%
CUSTOMER	DATE 4-10-2021	LOUVERS	RAL 7015 30%
DESCRIPTION	SCALE 1:7.5	PLASTIC PARTS	Black
PROJECT NR 2108004	ENGINEER SD		
Customer's Ref. NL 4941 V1	QTY 1	STATE Ext	2108004-01-000
Project's Ref. RopmidoOrkiszvler	REV 01	APPROVED	
<small>Accurate positioning of the screw must be guaranteed before start in the operation phase.</small>		<small>Use the correct torque for the screws.</small>	

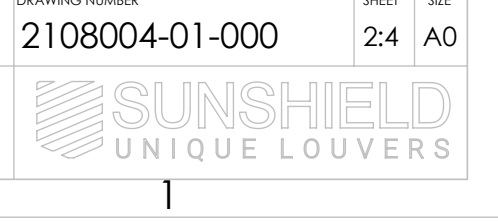


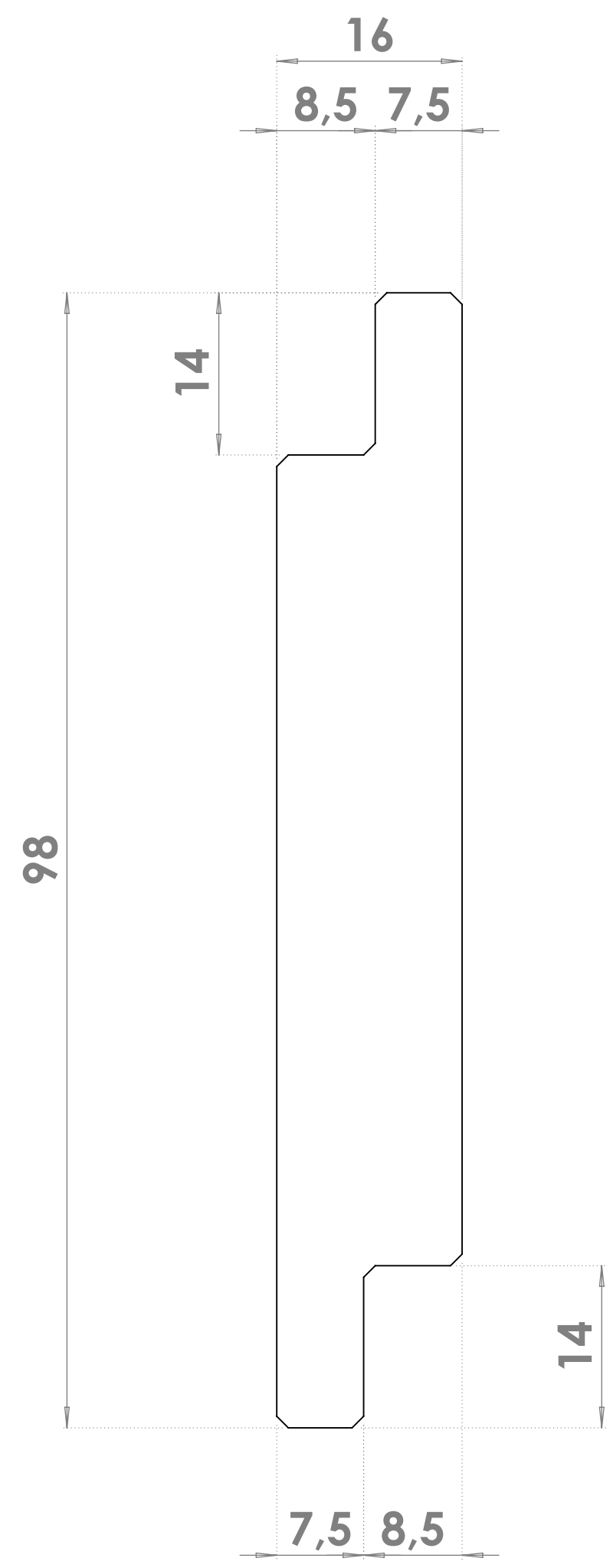


ITEM NO.	QTY.	SW-File Name (File Name)	DESCRIPTION	Comment 2
1	1	2108004-01-110	Standard Rack Arm, 35 mm, Pitch 90 (10) Assembled	L= 1350; Pitch 90 (10)
2	8	58 623	Omega H-55, 29x54x31x54x29 x 3 mm, lg=20mm	L=20
3	*30*	911	DIN 6798-A Lock washer M6	
4	*30*	910	DIN 934 Hexagon Nut M6	
5	*30*	908	DIN 125-1A Plain Washer M6	
6	*30*	901	DIN 933 Hexagon Head Bolt M6x16	
7	2	2108004-01-110	Standard Rack Arm, 35 mm, Pitch 90 (10) Assembled	L= 710; Pitch 90 (10)
8	16	2108004-01-402	98W Louver	L= See DWG
9	1	2108004-01-501	Drive Shaft 14/7 mm, for RAL Coating	L=725
10	*2*	939	DIN 7981 Panhead screw 3,5 x 9,5	
11	1	58 957 99 11	Exterior Motor kit for 7:1 Hard Wired (incl. Motorhood L=545)	(L=545 (Motorhood))
12	1	58 988	Stak/Stas Protecting Kit (incl. Tube, Plugs & Bracket) (lg=250mm)	
13	1	2108004-01-502	Drive Shaft 14/7 mm, for RAL Coating	L=790
14	1	2108004-01-201	Edge Rack Arm, 35 mm	L=990
15	1	2108004-01-202	Edge Rack Arm, 35 mm	L=720
16	26	88 300	Turnable Edge Pivot Kit S-System Pitch-70/90 (incl. short slot clip & screw)	
17	1	28 102	Somfy LS40 VULCAN Motor 13/10/230V, 3m white cable	
18	1	28 933	Hirschmann Set STAK/STAS-3 (Stak/Stas/clamp)	
19	2	58 305	Rack Arm Connector Center-Strip, 5 holes (M6), 20x3mm, lg=350mm	L=350
20	1	2108004-01-204	Edge Rack Arm, 35 mm	L=720
21	1	2108004-01-203	Edge Rack Arm, 35 mm	L=990
22	*200*	939	DIN 7981 Panhead screw 3,5 x 13	
23	1	Cross Bracket S-System	Edge RA Cross Bracket	
24	1	2108004-01-301	Fixed Louver Bracket	T=3 ⁰¹

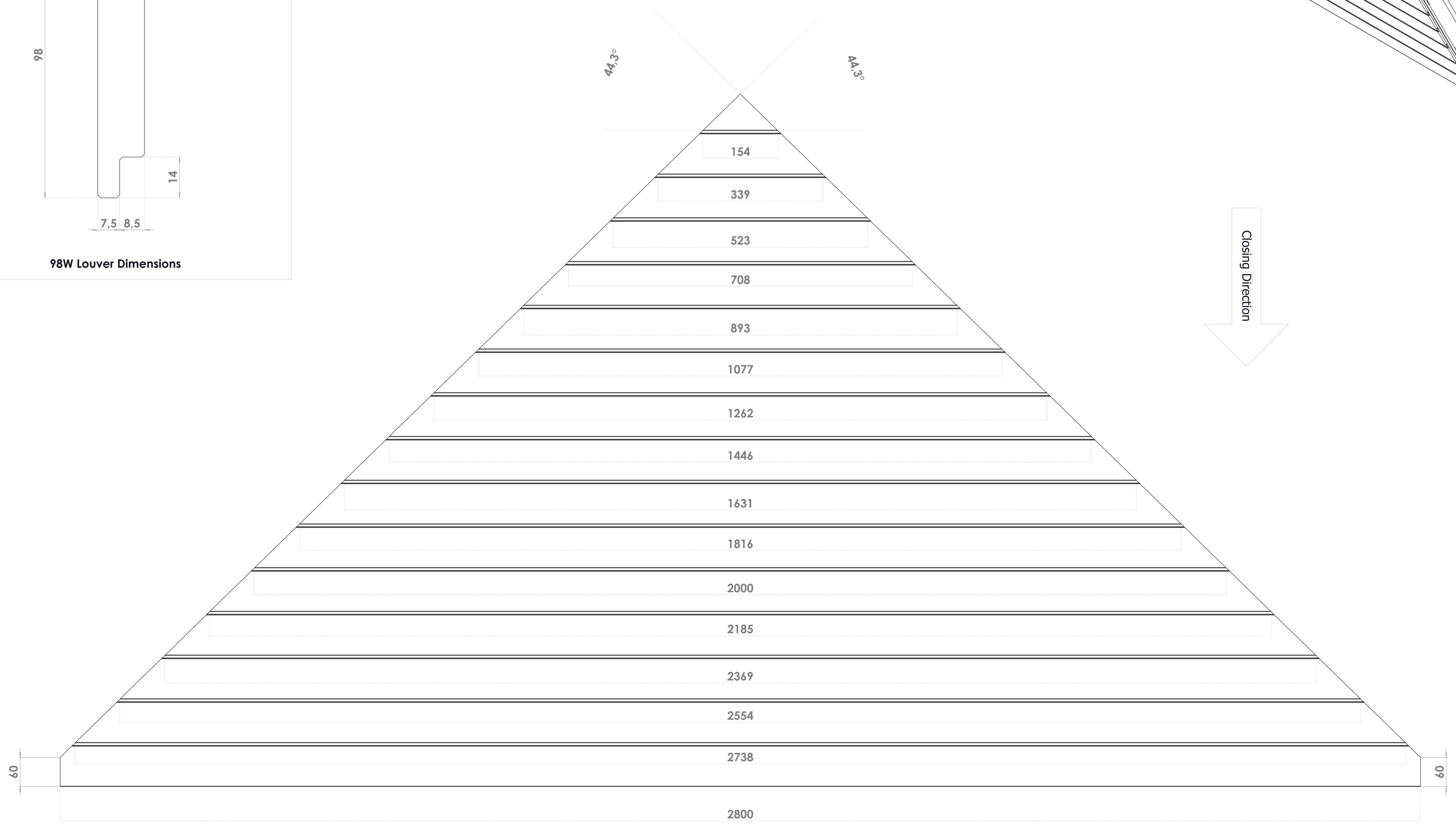
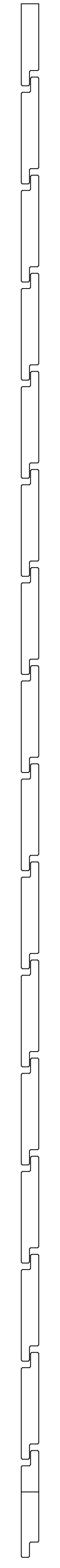
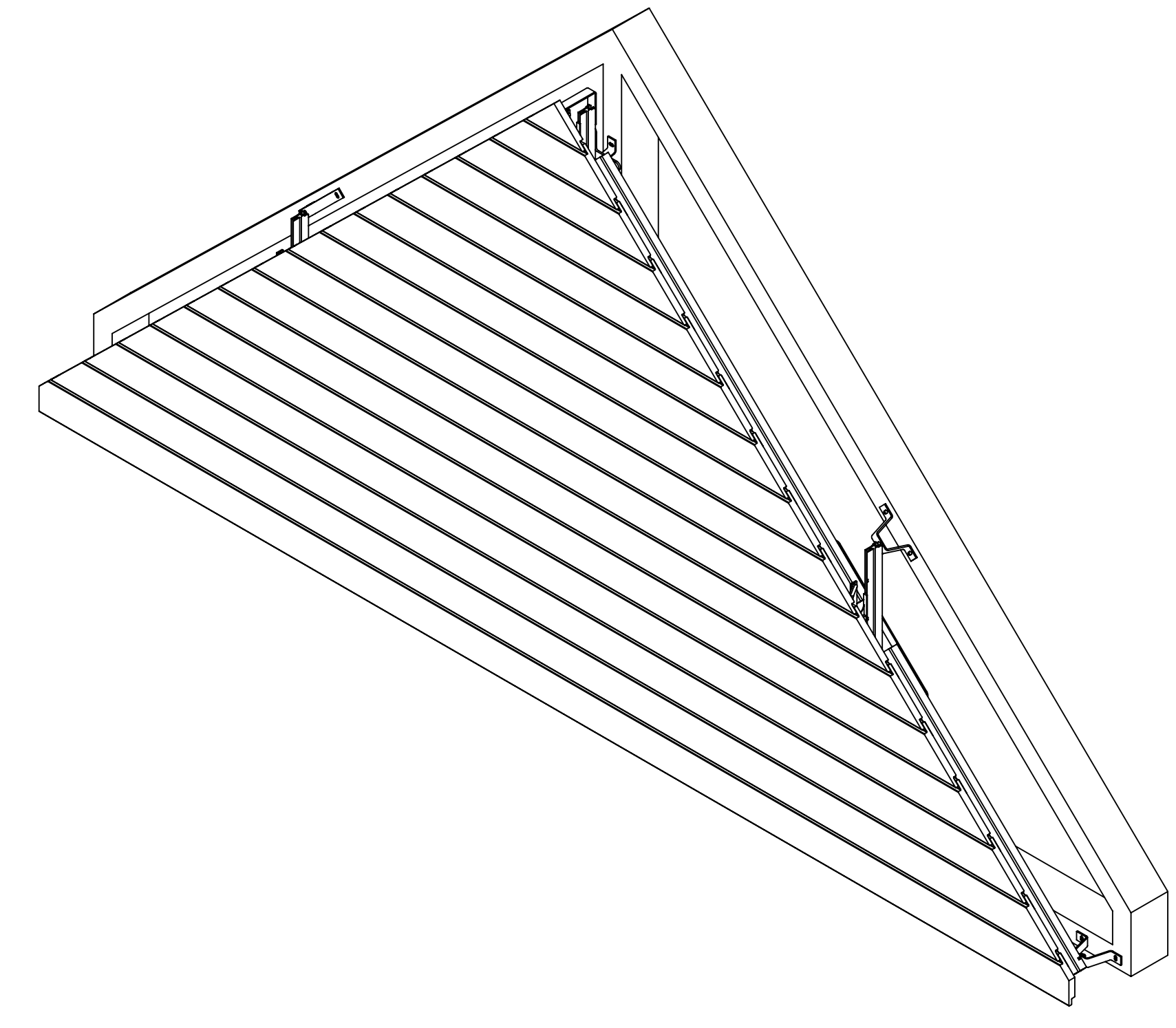


FASTENERS FOR INSTALLATION EXCLUDED (third party)				FASTENERS FOR SYSTEM ASSEMBLY INCLUDED			
CUSTOMER	DATE	4-10-2021	RACK ARMS & PARTS	RAL 7015 30%			
DESCRIPTION	SCALE	1:5	LOUVERS	RAL 7015 30%			
PROJECT NR	ENGINEER	SD	PLASTIC PARTS	Black			
OPERATED BY	QTY	1	Ext	2108004-01-000	24	A0	
NL 4941 VL	STATE	Approved	98W				
RapidoOrbiter	REV	01					

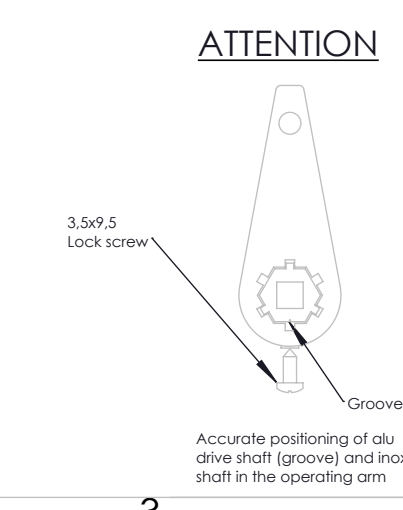




98W Louver Dimensions



Louver Excluded



FASTENERS FOR INSTALLATION EXCLUDED (third party)				FASTENERS FOR SYSTEM ASSEMBLY INCLUDED			
MATERIAL		DATE	4-10-2021	RACK ARMS & PARTS	RAL 7015 30%		
CUSTOMER		SCALE	1:3	LOUVERS	RAL 7015 30%		
DESCRIPTION		ENGINEER	SD	PLASTIC PARTS	Black		
PROJECT NR	2108004	QTY	1	Ext	2108004-01-000	4.4	A0
Customer's Ref	NL 4941 V1	STATE	Approved	98W			
Approved by		REV	01				

